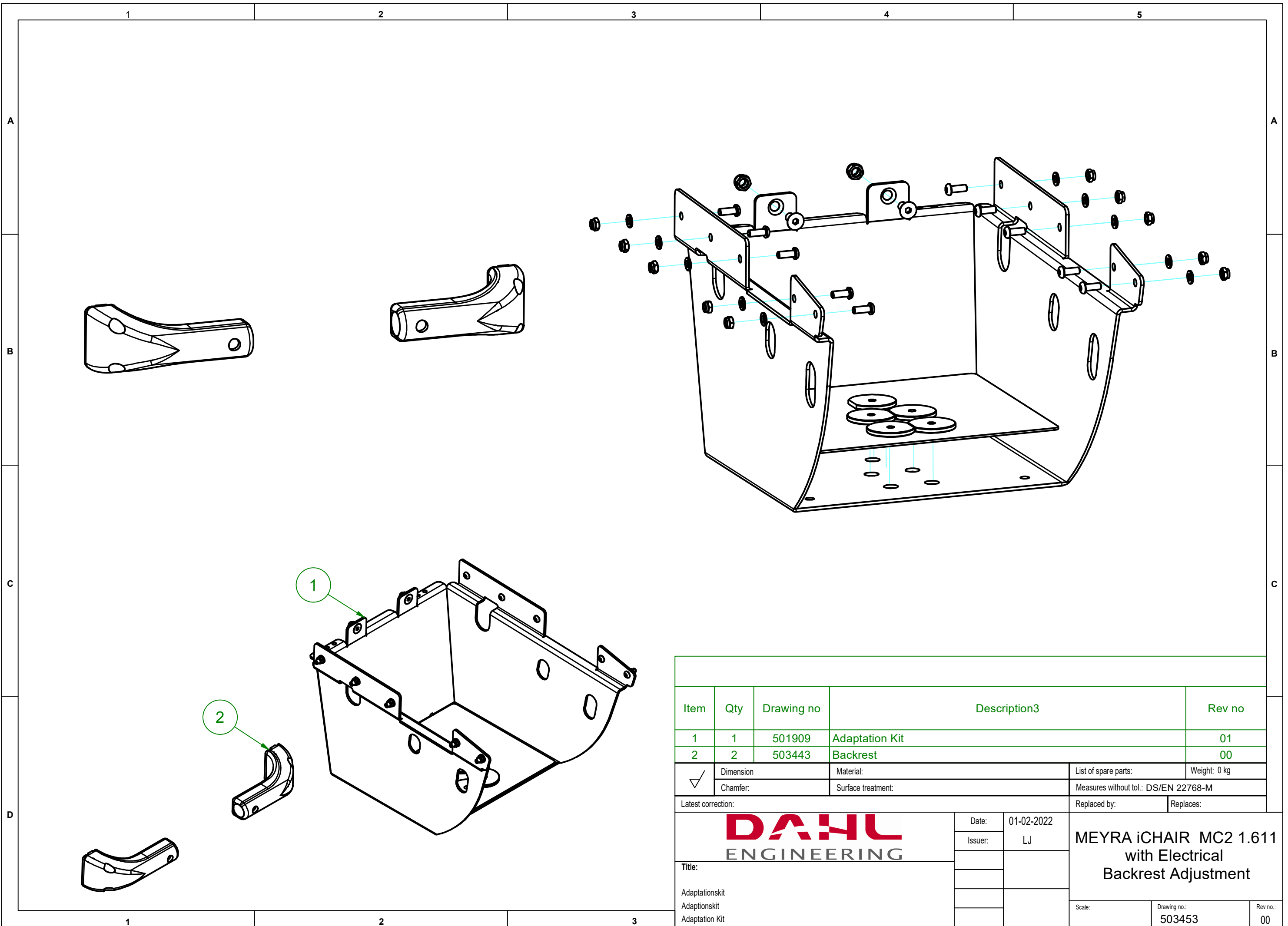


COPYRIGHT © THIS DRAWING REMAINS THE PROPERTY OF DAHL ENGINEERING
Copying, submitting to third parties or use for any purpose other than that originally intended is prohibited without previous written consent of DAHL ENGINEERING



Item	Qty	Drawing no	Description3	Rev no
1	1	501909	Adaptation Kit	01
2	2	503443	Backrest	00

✓	Dimension	Material:	List of spare parts:	Weight: 0 kg
	Chamfer:	Surface treatment:	Measures without tol.: DS/EN 22768-M	
Latest correction:			Replaced by:	Replaces:

DAHL ENGINEERING	Date:	01-02-2022	MEYRA iCHAIR MC2 1.611 with Electrical Backrest Adjustment
	Issuer:	LJ	
Title:			
Adaptationskit Adaptionskit Adaptation Kit			

Scale:	Drawing no.:	Rev no.:
	503453	00