

Dahl Docking Locking set

Model: 1.611 iCHAIR MC2

Assembly and user manual

MEANING OF THE APPLIED MARKERS

Safety instructions with a coloured background are mandatory and need to be observed under any circumstance!

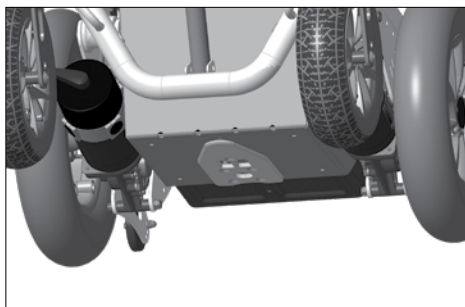
- 🗨 This symbol indicates tips and recommendations
- [] Reference to a picture number
- () Reference to a function element within a picture.

INTRODUCTION

Read and observe this manual before first operation. Children and adolescents should read this document if necessary together with their parents or a supervisor or accompanying person before first use.

The user manual at hand should help you get accustomed to the handling of your product.

This product is a technical aid. It is subject to explanations, requires regular care and can cause danger when used improperly. The correct handling must therefore be learned.



Users with visual impairments can find the PDF-files together with further information on our website:

< www.meyra.com >.

- 🗨 Contact your specialist dealer when required.

Information about product safety and possible recalls of our products can be found in the < *Information center* > on our website:

< www.meyra.com >.

The product meets the demands of ISO 7176-19.

LIST OF MODELS

This assembly and user manual is valid for the following model options:

Model 1.611

USE

The Dahl Engineering docking anchoring set is solely to be used together with a Dahl Engineering anchoring unit mounted expertly into a motor vehicle < www.dahlengineering.dk >.

This product served automatic fixation of an electric wheelchair during transport of people inside a motor vehicle in combination with our refit set no. 501 909 or on existing electrically adjustable back support with the refit kit no. 503 453.

ASSEMBLY INSTRUCTIONS

Scope of delivery

Docking anchoring set:

Scope of delivery for motor vehicle assembly

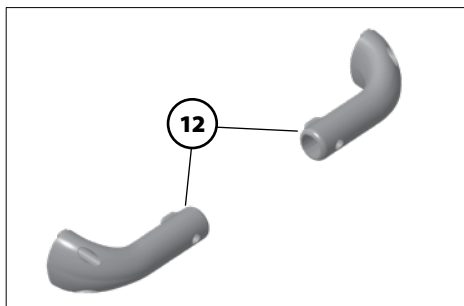
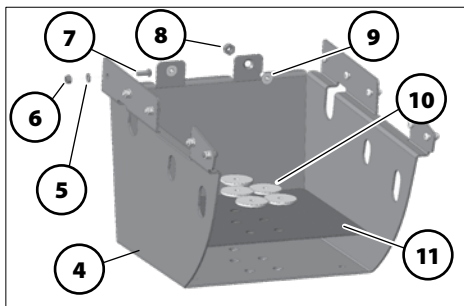
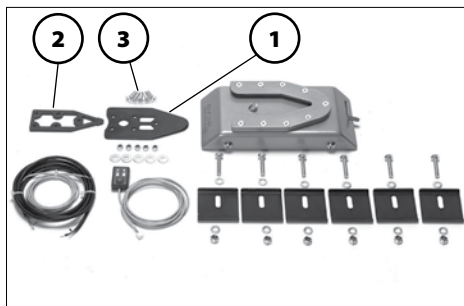
(as component of the attachment inside the motor vehicle)

- (1) 1x Locking plate
- (2) 1x Distancer
- (3) 5x Countersunk screw

Scope of delivery for electric wheelchair assembly

☞ The following items may already have been installed at the factory.

- (4) 1x bin
- (5) 10x Plain washer
- (6) 10x Locknut M6
- (7) 10x Cylinder screw M6x16
- (8) 2x Locknut M8
- (9) 2x Countersunk screw M8x16
- (10) 5x Flat nut M8
- (11) 1x Reinforcement plate



- (12) 2x Back support bracket (only in combination with electrically adjustable back support; refit kit no. 503 453)
- 1x Assembly and user manual

ASSEMBLY

The following assembly is to be carried out by a professionally qualified person.

A refitting of this Dahl dockingstation locking set is only possible from February 2022.

Detailed information to the assembly tips of the Dahl Docking-Station inside the motor vehicle can be obtained per e-mail at: < sales@dahlengineering.dk >.

Safety information

The electric wheelchair is to be switched off during assembly in order to prevent unintentional rolling movements.

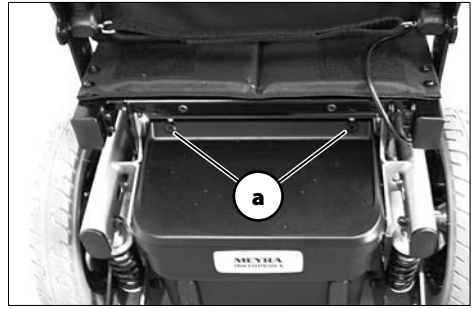
Before assembly the main-/battery fuse is to be removed.

Watch for jamming areas during the complete assembly. – Danger of jamming!
Keep the working area clean during the assembly!

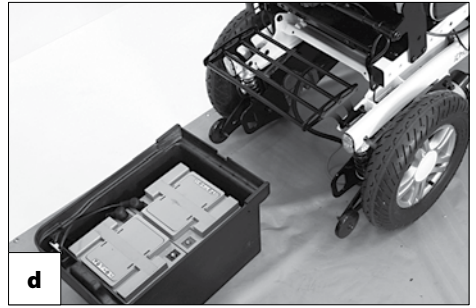
Mounting the bin

For assembly of the bin (4), proceed as follows:

1. Remove the attachment screws (a).
2. Lift the battery case slightly over the rear grip edge and pull it out towards the back [b].
3. Lift the lid off of the battery case [c].
4. Unscrew the battery cables.



5. First lift the battery case slightly over the front grip edge and then lift it out towards the back [d].
6. Remove the leg supports.
7. Tilt the electric wheelchair onto the front side.
8. Remove the screws (e) of the drives and carefully place the drives onto the respective connection bushing.

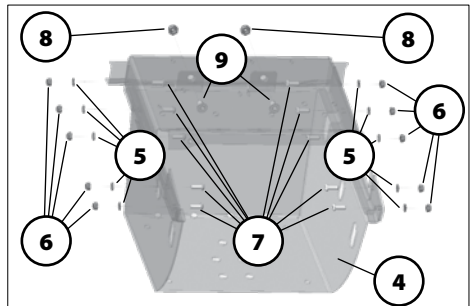
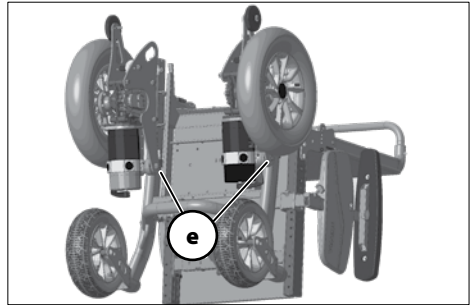


- ☞ In doing so the connection cables may not be damaged.
9. Hook the bin (4) into place and fasten with the screws (5), (6), (7) and (8), (9).

- ☞ The open side of the bin faces toward the seat surface and toward the back of the electric wheelchair.

- ☞ For better visualisation the interfering parts are not shown.

10. Remount the drives with the previously removed screws.
11. Put the electric wheelchair back onto its wheels.



Mounting the docking set

For a correct ground clearance of 70 mm, assembly is to be carried out incl. the load of the actual user weight.

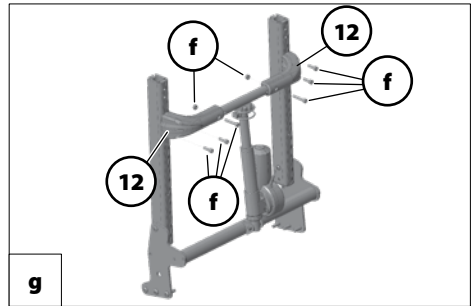
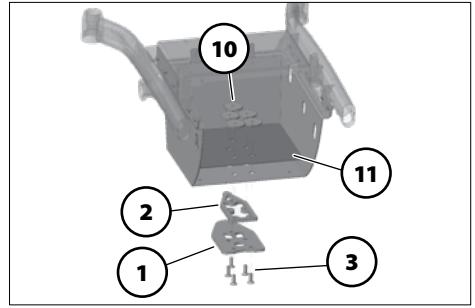
When required a corresponding distancer (2) can be requested at < www.dahlengineering.dk >.

For safety reasons only use the included special countersunk screws (quality grade 14.9, Torx 27) (3).

Secure the countersunk screws with Loctite 222.

Observe torque 16 - 18 Nm!

1. Place the reinforcement plate (11) into the bin.
 - ☞ The holes must align with those of the bin.
2. Screw the countersunk screw (3) with attached locking plate (1) and distancer washer (2) from the bottom into the nuts (10).



et (12) and mount with the screwed connections as shown in [g].

Inserting the battery case

For placing the battery box proceed in reverse order as described in chapter *Mounting the bin* on page 3 Steps 1. – 5..

Replacing the back support bracket

☞ Only required in combination with electrically adjustable back support.

1. Remove the existing screwed connections (f).
 - ☞ Ensure that the adjustment motor (g) does not drop down.
2. Switch the existing back support bracket against the new back support bracket.

Re-establish operational readiness

1. Reinsert the mains-/battery fuse.
2. Conduct a driving test.
3. Check and ensure the firm seat of the docking set in combination with the assembly inside the motor vehicle.

USER MANUAL

Safety information

When using the electric wheelchair watch for the reduced ground clearance due to the mounted docking set. – Danger of accidents!

☞ Therefore observe chapter *Technical data* on page 9.

For handicapped transport inside a motor vehicle observe the document < *Safety with Meyra-wheelchairs, also during transport in motor vehicles* >.

Only drive the electric wheelchair equipped with the docking set into Dahl Engineering anchoring units [1].

Before use make sure that the product is functional. – Danger of accidents!

Do not use a loose locking plate to anchor the electric wheelchair. – Increased danger of accident!

Correct anchoring of the electric wheelchair with the docking-station only happens with the weight of the user.

The user must be secured with a certified strap-retaining system.

MEYRA do not claim responsibility for damages that are caused by unattended minors in combination with the product!



Anchoring the electric wheelchair

If the electric wheelchair is anchored correctly, a control diode will light up on the operating module (1) of the docking station.

Further information to the Dahl Docking Station can be found on the website:
< www.dahlengineering.dk >.

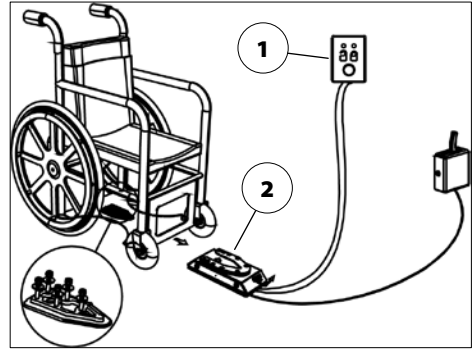
To lock the docking station, move the electric wheelchair straight and centred over the anchoring unit (2) on the floor of the motor vehicle.

- ☞ If the electric wheelchair is **not** anchored correctly, a warning signal sounds and a warning light appears on the operating module (1) of the docking station.
- ☞ If necessary observe the operating manual of the Dahl-Dockingstation.

Unlocking the electric wheelchair

To unlock the electric wheelchair, press the release key on the operating module (1) of the docking station and then move the electric wheelchair slowly backwards out of the anchoring unit (2) on the floor of the motor vehicle.

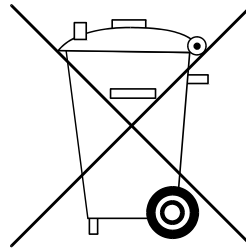
- ☞ The procedure e.g. in case of a breakdown of the battery of the motor vehicle can be viewed in the operating manual of your Dahl-Dockingstation.



Repairs

Use only original spare parts. Make use of the service of your educated dealer.

DISPOSAL



The disposal must comply with the respective national law.

Please enquire about local disposal arrangements at your municipal authority.

MAINTENANCE

An incorrect or neglected cleaning and maintenance of the product results in a limitation of the product liability.

Maintenance

The following maintenance Instruction gives you a guide for carrying out the maintenance work.

- ✎ They do not give information about the actual extent of work required on the product.

Maintenance schedule

WHEN	WHAT	REMARK
After use	Check for extreme soiling Clean if required	Carry out the cleaning by yourself or by an aid.
Every 6 months (depending on frequency of use)	Check screwed connections for firm seat.	Carry out the test yourself or by a helper.
Manufacturer recommendation: Every 12 months (depending on frequency of use)	Safety inspection	To be carried out by the specialist dealer.

TECHNICAL DATA

Docking-Station

Perm. user weight (including additional load)	136 kg
Ground clearance	70 mm

A higher user weight indicated on the type plate of your electric wheelchair is limited by the permitted user weight of the docking station.

WARRANTY / GUARANTEE

We accept legal liability for this product within the scope of or general terms and conditions and warranty and in certain cases other verbal resp. agreed upon guarantees.

- ☞ Therefore observe chapter < *Warranty / Guarantee* > of the operating manual of your electric wheelchair.

NOTES



This product fulfils the requirements of the directive (EC) 2017/745 for medical devices.

MEYRA GmbH



Meyra-Ring 2
32689 Kalletal Kalldorf
GERMANY



Tel +49 5733 922 - 311
Fax +49 5733 922 - 9311



info@meyra.de

www.meyra.de