


Dahl Docking Locking set

Model: 1.613 iCHAIR MC FRONT

Assembly instructions

MEANING OF THE APPLIED MARKERS

Safety instructions with a coloured background are mandatory and need to be observed under any circumstance!

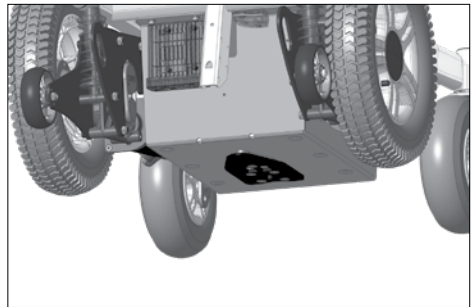
-  This symbol indicates tips and recommendations
- [] Reference to a picture number
- () Reference to a function element within a picture.

INTRODUCTION

Read and observe this manual before first operation. Children and adolescents should read this document if necessary together with their parents or a supervisor or accompanying person before first use.


The user manual at hand should help you get accustomed to the handling of your product.

This product is a technical aid. It is subject to explanations, requires regular care and can cause danger when used improperly. The correct handling must therefore be learned.



Users with visual impairments can find the PDF-files together with further information on our website:

< www.meyra.com >.

-  Contact your specialist dealer when required.

Information about product safety and possible recalls of our products can be found in the < *Information center* > on our website:

< www.meyra.com >.

The product meets the demands of ISO 7176-19.

LIST OF MODELS

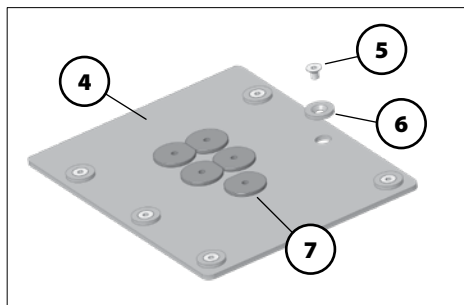
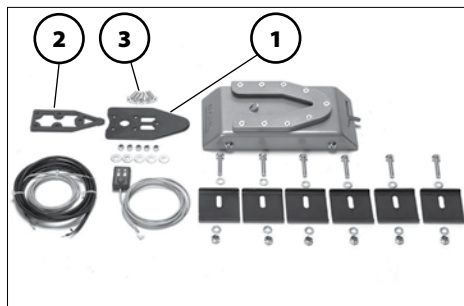
This assembly and user manual is valid for the following model options:

Model 1.613

USE

The Dahl Engineering docking anchoring set is solely to be used together with a Dahl Engineering anchoring unit mounted expertly into a motor vehicle < www.dahlengineering.dk >.

This product served automatic fixation of an electric wheelchair during transport of people inside a motor vehicle in combination with our locking set no. 501 619 and on existing electrically adjustable back support with the refit kit no. 501 620.



ASSEMBLY INSTRUCTIONS

Scope of delivery

Docking anchoring set:

Scope of delivery for motor vehicle assembly

(as component of the attachment inside the motor vehicle)

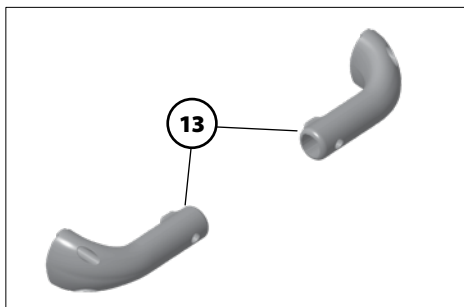
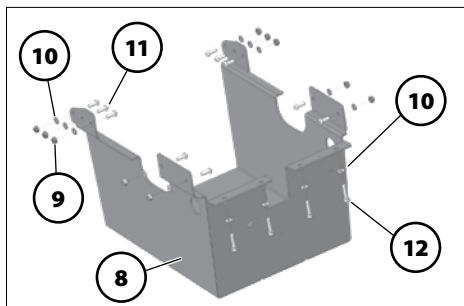
- (1) 1x Locking plate
- (2) 1x Distancer
- (3) 5x Countersunk screw

Scope of delivery for electric wheelchair assembly

☞ The following items may already have been installed at the factory.

- (4) 1x Tin
- (5) 6x Countersunk screw M8x16
- (6) 6x Rosette
- (7) 5x Flat nut M8

- (8) 1x Bin
- (9) 10x Locknut M6
- (10) 14x Plain washer 6.4
- (11) 10x Fillister head screw M6x16
- (12) 4x Screw M6x25
- (13) 2x Back support bracket (only in combination with electrically adjustable back support; refit kit no. 501 620)
- 1x Assembly Instructions



ASSEMBLY

The following assembly is to be carried out by a professionally qualified person.

A refitting of this Dahl dockingstation locking set is only possible from August 2022.

Detailed information to the assembly tips of the Dahl Dockingstation inside the motor vehicle can be obtained per e-mail at: < sales@dahlengineering.dk >.

A refitting of the Dahl Dockingstation is only permitted to an electric wheelchair with an existing central leg support.

Safety information

The electric wheelchair is to be switched off during assembly in order to prevent unintentional rolling movements.

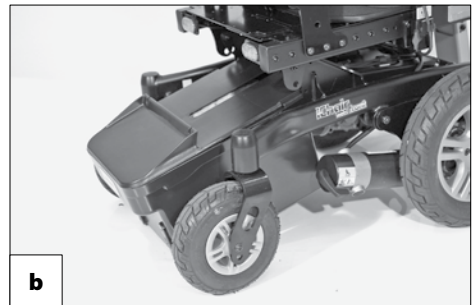
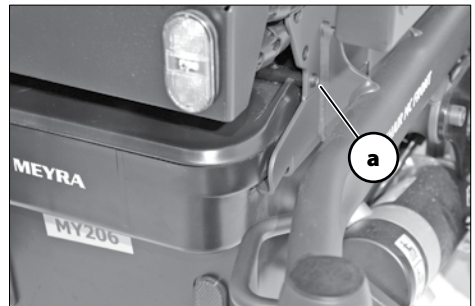
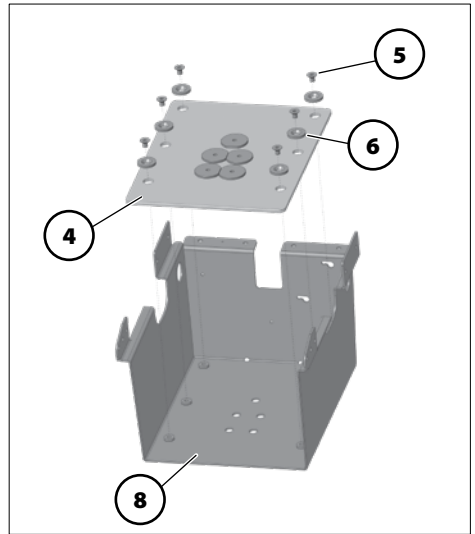
Before assembly the main-/battery fuse is to be removed.

Watch for jamming areas during the complete assembly. – Danger of jamming!
Keep the working area clean during the assembly!

Mounting the bin

For assembly of the bin (8), proceed as follows:

1. Screw the tin (4) with the countersunk screws (5) and the rosettes (6) into the bin (8).
 - 🔧 All holes must be aligned accordingly.
2. Remove the attachment screw (a) on both sides.



3. Lift the battery case slightly over the rear grip edge and pull it out towards the back [b].
4. Lift the lid off of the battery case [c].
5. Unscrew the battery cables.
6. First lift the battery case slightly over the front grip edge and then lift it out towards the back [d].

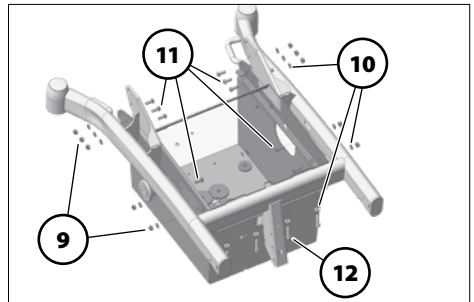
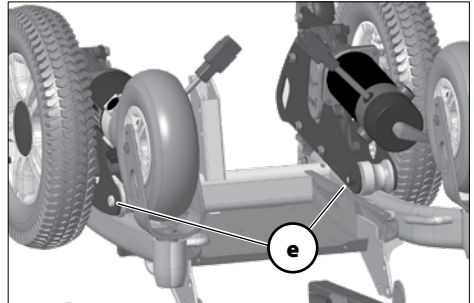


7. Remove the arm supports.
8. Fold up the footboard.
9. Place the electric wheelchair, protected against damages, onto the front side.
10. Unscrew the front cover, the adjustment module and the gyro, if existent.
11. Remove the screws (e) of the drives and carefully place the drives onto the respective connection bushing.
12. Hook the bin (8) into place and fasten with the screws (9), (10), (11) and (10), (12).

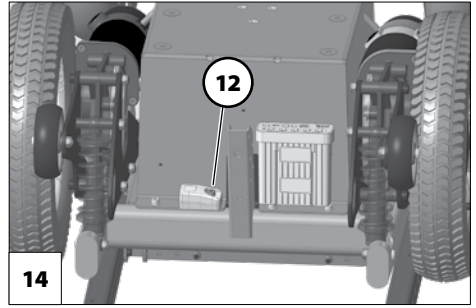


- ☞ The open side of the bin faces toward the seat surface and toward the back of the electric wheelchair.
- ☞ For better visualisation the interfering parts are not shown.

13. Remount the drives with the previously removed screws.



14. If existent, screw the adjustment module onto the bin [14].
15. Screw the gyro, if existent, to the bin with the attachment screw (12).
 - ☞ The nose of the gyro must lie correctly within the hole.
16. Reinsert all previously loosened plugs etc..
17. If existent remount the cover.
18. Place the electric wheelchair back on its wheels.



Mounting the docking set

For a correct ground clearance of 70 mm, assembly is to be carried out incl. the load of the actual user weight.

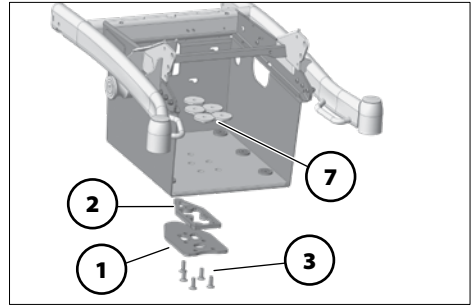
When required a corresponding distancer (2) can be requested at < www.dahlengineering.dk >.

For safety reasons only use the included special countersunk screws (quality grade 14.9, Torx 27) (3).

Secure the countersunk screws with Loctite 222.

Observe torque 16 - 18 Nm!

1. Screw the countersunk screw (3) with attached locking plate (1) and distancer washer (2) from the bottom into the nuts (7).



Inserting the battery case

For placing the battery box proceed in reverse order as described in chapter *Mounting the bin* on page 4 Steps 2. – 6..

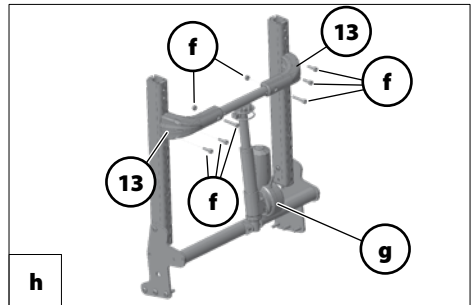
Replacing the back support bracket

☞ Only required in combination with electrically adjustable back support.

1. Remove the existing screwed connections (f).

☞ Ensure that the adjustment motor (g) does not drop down.

2. Switch the existing back support bracket against the new back support bracket (13) and mount with the screwed connections as shown in [h].



Re-establish operational readiness

1. Reinsert the mains-/battery fuse.
2. Conduct a driving test.
3. Check and ensure the firm seat of the docking set in combination with the assembly inside the motor vehicle.

FINISHING WORK

During delivery of the electric wheelchair, the wheelchair user is also to be handed out the document < *Safety with Meyra-wheelchairs, also during transport inside a motor vehicle* >.

This document and further information can be accessed on our website < www.meyra.com > in the < *Download Archive* >.

WARRANTY / GUARANTEE

We accept legal liability for this product within the scope of our general terms and conditions and warranty and in certain cases other verbal resp. agreed upon guarantees.


- 📖 Therefore observe chapter < *Warranty / Guarantee* > of the operating manual of your electric wheelchair.



This product fulfils the requirements of the directive (EC) 2017/745 for medical devices.

MEYRA GmbH

 Meyra-Ring 2
32689 Kalletal Kalldorf
GERMANY

 Tel +49 5733 922 - 311
Fax +49 5733 922 - 9311

 info@meyra.de

www.meyra.de