

F5 Corpus
User manual | British English

Welcome to the Permobil family

We hope that you enjoy your new powered wheelchair. Permobil's founder, Dr. Per Uddén, believed that every person has the right to have his or her disability compensated as far as possible using the same technology that we all use in our everyday life. Your new wheelchair is a state-of-the-art medical device designed to achieve this goal by providing unparalleled convenience, comfort, and technology.

Produced and published by Permobil

Edition: 2

Date: 2023-11-06

Order no: 340035 eng-UK

How to contact Permobil

Permobil Ltd.

Unit 7, Polaris Centre, 41 Brownfields

Welwyn Garden City, Herts, AL7 1AN

United Kingdom



+44 1484 722 888



+44 1484 723 013



info@permobil.co.uk



www.permobil.com



Production units. See page 72.



Local offices. See page 73.

Head office of the Permobil Group

Permobil AB

Per Uddéns väg 20

SE 861 36 Timrå

Sweden



+46 60 59 59 00



info@permobil.com



www.permobil.com

1	Introduction	4			
2	Overview	5			
2.1	Wheelchair specification	6			
2.2	Tool bag	7			
2.3	General control panel	8			
2.4	Omni2	9			
2.5	Connected wheelchair	10			
2.6	Lights and reflectors	11			
2.7	Wheels	12			
2.8	Tie-down points	13			
2.9	Serial number label	14			
2.10	Accessories	15			
2.11	Spare parts	16			
2.12	User manual	17			
3	Safety	18			
3.1	Types of warning signs	18			
3.2	Warning signs	18			
3.3	Labels	21			
4	Wheelchair usage	24			
4.1	Driving the wheelchair	24			
4.2	Support wheels	27			
4.3	Seat functions	27			
4.4	Charging the batteries	32			
4.5	Freewheel mode	33			
4.6	Vehicle transportation	33			
4.7	Air transportation	37			
4.8	Rail transportation	38			
4.9	Main circuit breaker	39			
4.10	Wheelchair storage	39			
4.11	Manual adjustments	40			
4.11.1	Headrest	40			
4.11.2	Headrest with link hardware	42			
4.11.3	Backrest tilt	44			
4.11.4	Removing the backrest	45			
4.11.5	Armrest	45			
4.11.6	Leg support tilt	50			
4.11.7	Footplates	50			
4.11.8	Lumbar support	52			
4.11.9	Trunk support	53			
4.11.10	Knee support	54			
4.11.11	Rotational panel holder	55			
4.11.12	Parallel panel holder	58			
4.11.13	Positioning belt	60			
5	Maintenance	61			
5.1	Maintenance and inspection schedule	62			
5.2	Cleaning	63			
5.3	Inflating the drive wheel tyres	64			
5.4	Inflating the castor wheel tyres	65			
5.5	Positioning belt	65			
6	Restrictions and limitations	66			
7	Troubleshooting	67			
8	General information	69			
8.1	Guarantee	69			
8.2	Standards and regulations	69			
8.3	Reporting incidents	69			
8.4	Disposal and recycling	69			
8.5	EU declaration of conformity	70			
8.6	Technical specifications	71			

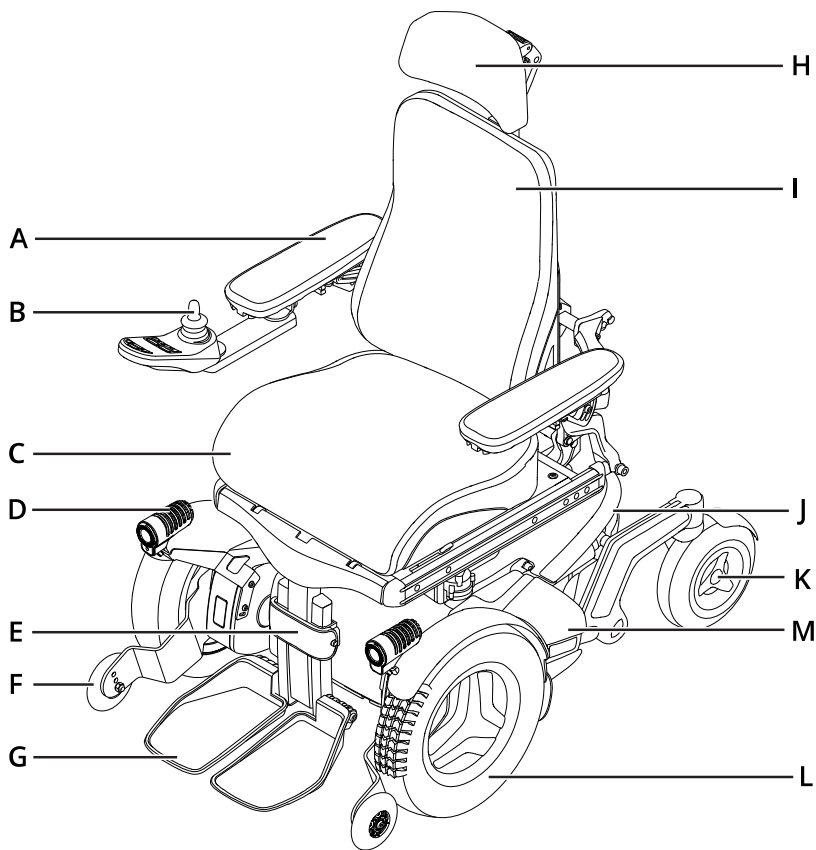
1 Introduction

Before you use your wheelchair for the first time, you must read and understand the contents of this user manual. It instructs you on how to properly and safely use and care for your wheelchair. You must also read and understand the user manuals for your specific accessories before you use your wheelchair. This user manual and additional product information are available at www.permobil.com or via telephone.

Your power wheelchair is a complex medical device prescribed to you by your healthcare provider and configured to meet your needs. Permobil is not responsible for inappropriate prescription or selection of models or features, or for improper use of or modifications to the wheelchair. If the wheelchair has an unexpected impact on your health, contact your healthcare provider.

The illustrations in this user manual are generic and may not be exact depictions of your wheelchair.

2 Overview



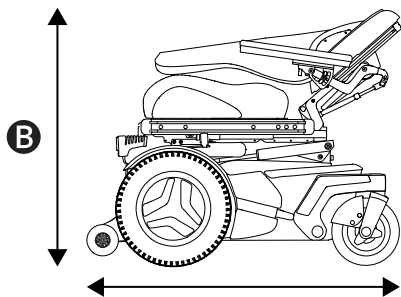
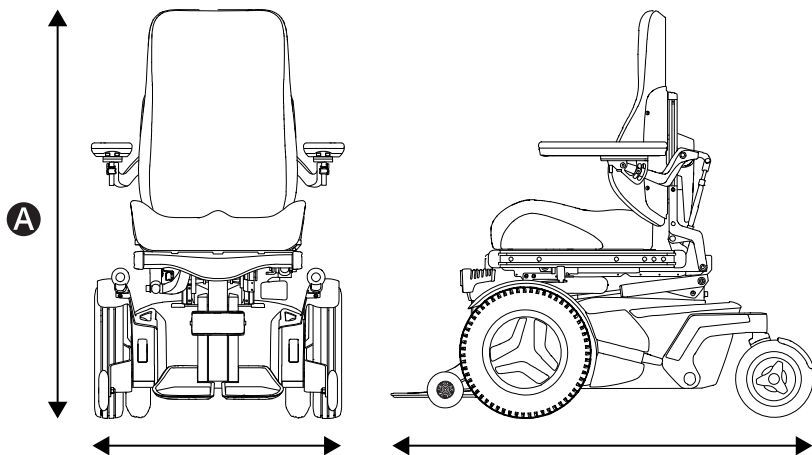
This chapter gives you an overview of your wheelchair. The parts in the overview illustration are described in more detail throughout the manual.

The F5 Corpus is a front-wheel drive, power wheelchair for outdoor and indoor use. It is intended for people limited to a seated position.

The expected service life of this product is five years.

- | | |
|-------------------------|-------------------------------|
| A. Armrest | H. Headrest |
| B. Control panel | I. Backrest |
| C. Seat | J. Chassis |
| D. Light | K. Castor wheel |
| E. Leg support | L. Drive wheel |
| F. Support wheel | M. Serial number label |
| G. Footplate | |

2.1 Wheelchair specification



Product name: **F5 Corpus**

Model version: **3**

Wheelchair class: **B**

A Height, width, and length

Height: 1090–1170 mm (43"–46")

Width: 650–790 mm (25.5"–31")

Length: 1165 mm (46")

B Smallest transportation size

Height: 875 mm (34.5")

Width: 650–790 mm (25.5"–31")

Length: 955 mm (38")

Weight specification

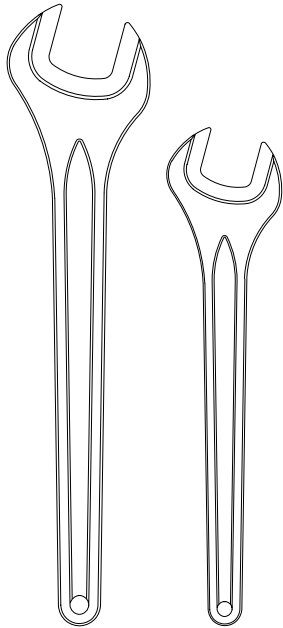
Wheelchair with batteries: 189 kg (417 lb.)

Maximum user weight: 150 kg (330 lb.)

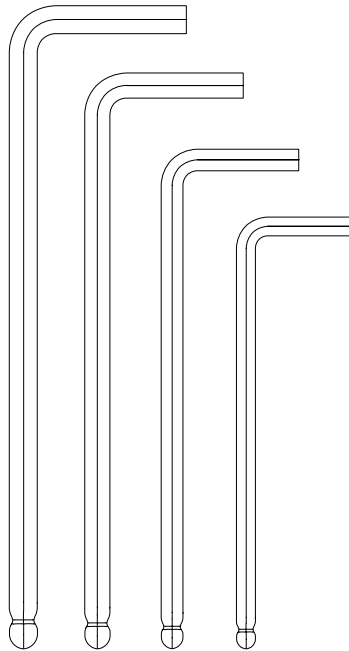
The maximum user weight can vary depending on the wheelchair configuration.

2.2 Tool bag

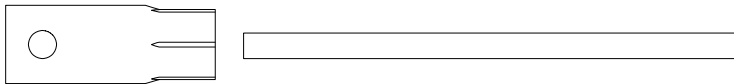
A



B



C



The wheelchair comes with a tool bag for maintenance and adjustments. It contains the following tools:

A Spanner

general maintenance

11 mm

13 mm

B Allen keys


general maintenance and seat adjustment

2–6 mm

C Socket spanner

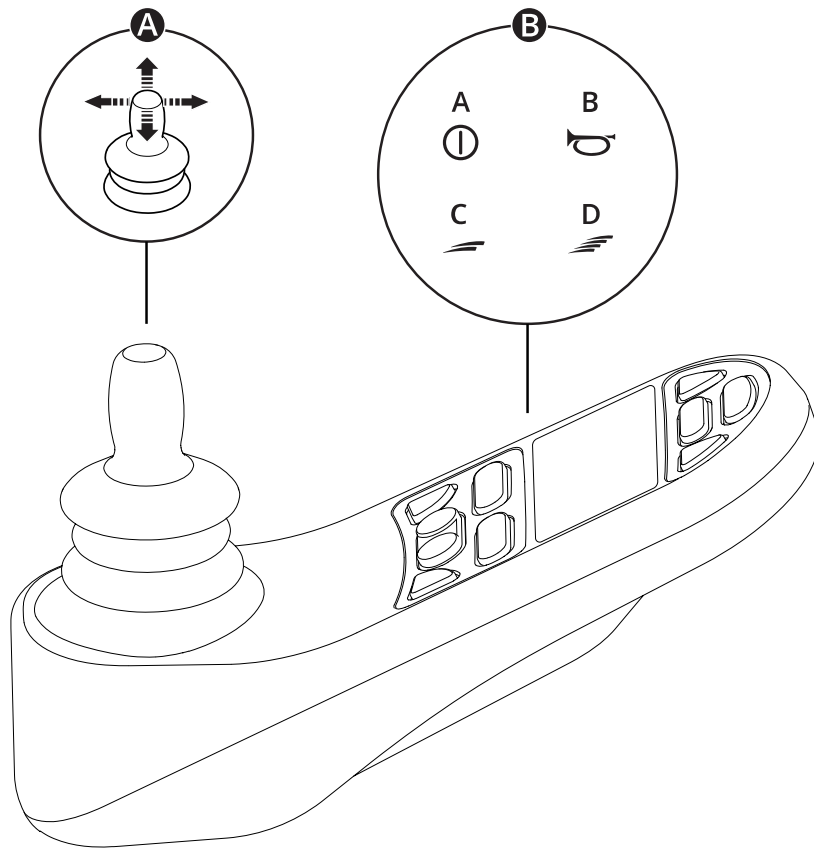
general maintenance

15 mm

 Valve adapter

Inflating the castor wheel tyres

2.3 General control panel



A Joystick

B Example of button functions

A. On/off

B. Horn

C. Decrease maximum speed

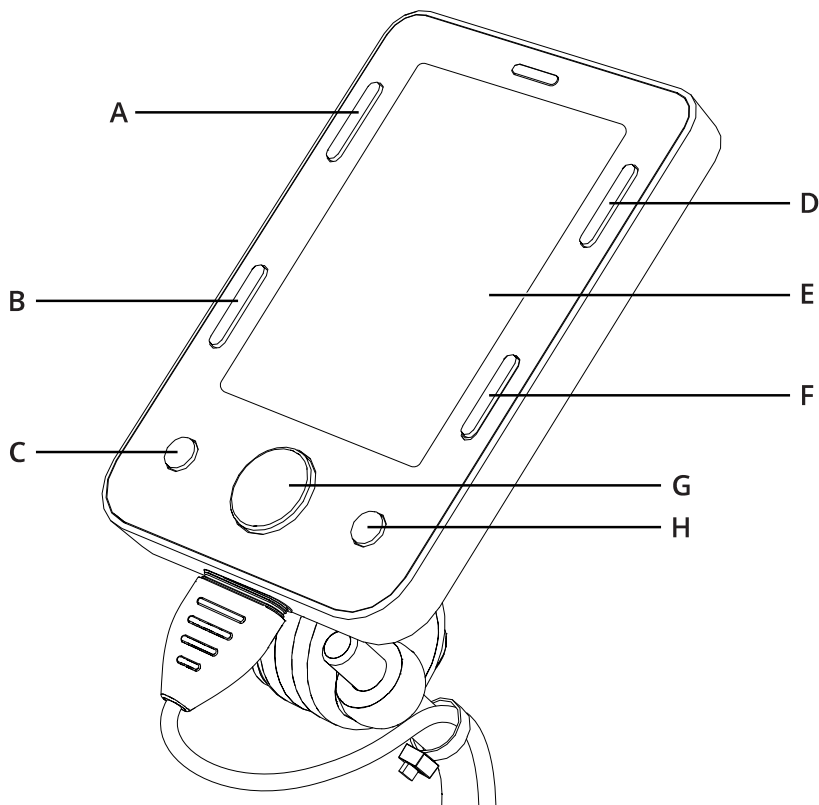
D. Increase maximum speed

For more information, see the user manual of your control panel:



https://documentation.permobil.com/manuals/control_panels/

2.4 Omni2



Your wheelchair can be equipped with an Omni2. An Omni2 is a device that makes it possible to operate the wheelchair with something other than a standard joystick.

Button configuration for Omni2.

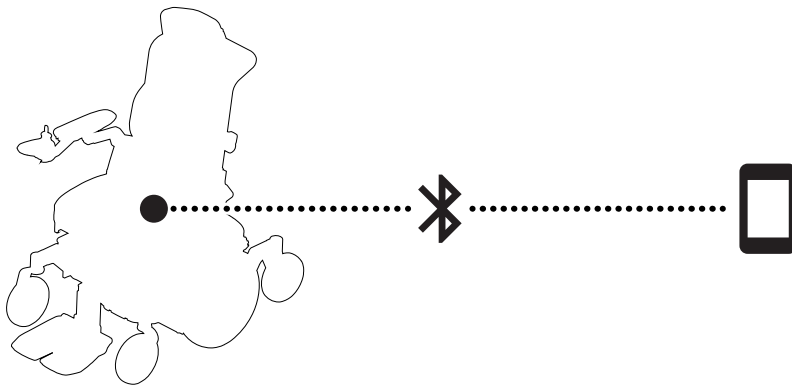
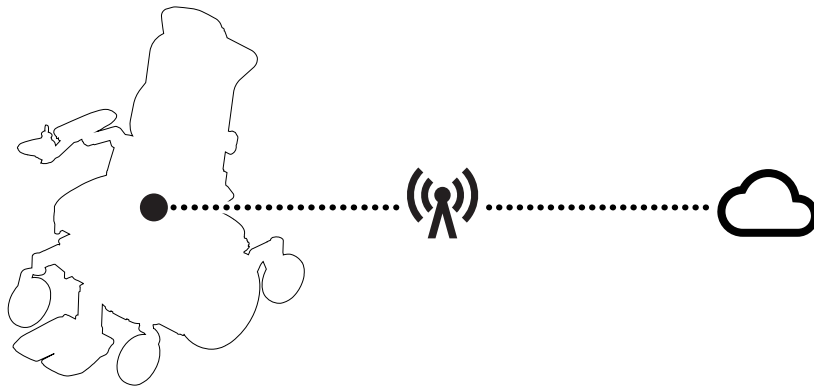
- | | |
|---------------------|----------------------|
| A. On/off | E. LCD screen |
| B. Profile | F. Mode |
| C. Minus (-) | G. Navigation |
| D. Settings | H. Plus (+) |

For more information, see the user manual of your Omni2 on the website of Curtiss-Wright:



<http://support.pgdt.com/omni2-manual.pdf>

2.5 Connected wheelchair



Your power wheelchair has a Power Platform, which contains a radio transmitter. In certain areas, radio transmission is not allowed and your wheelchair must be set to flight mode ✈.

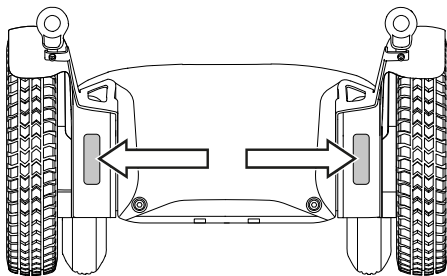
For more information, see the user manual of your control panel:



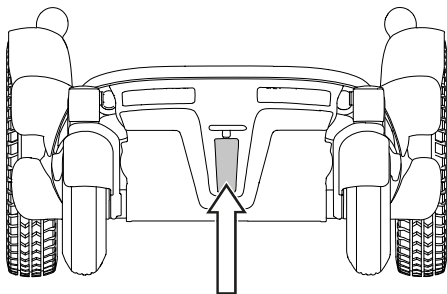
https://documentation.permobil.com/manuals/control_panels/

2.6 Lights and reflectors

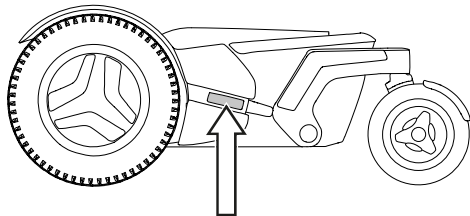
A



B



C



The wheelchair is equipped with reflectors at the front, the rear, and the sides.

Front lights, rear lights, and indicators are optional.

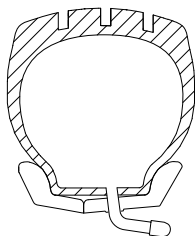
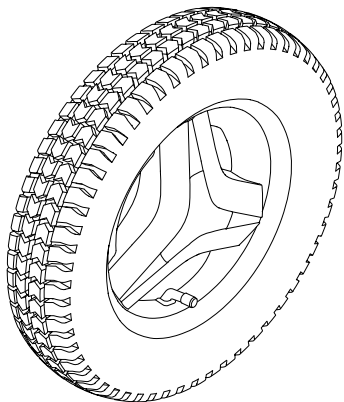
A Front reflectors

B Rear reflectors

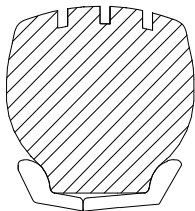
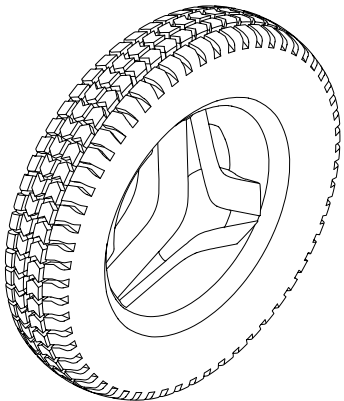
C Side reflectors

2.7 Wheels

A




B



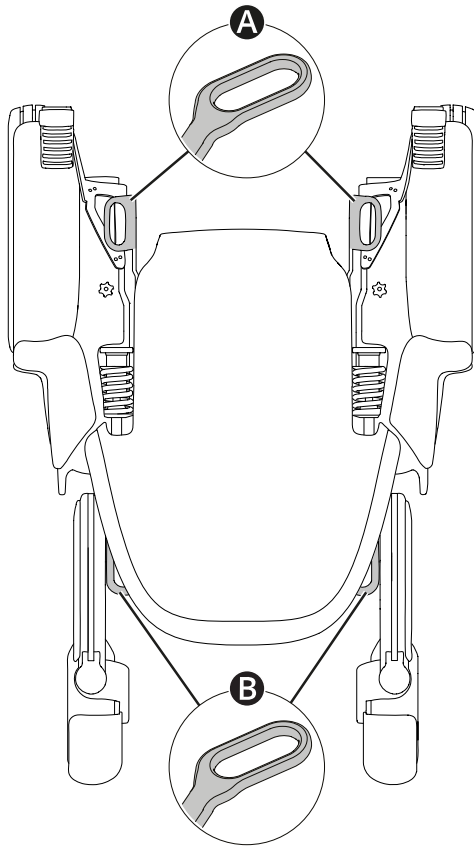
The wheelchair drive wheels have pneumatic tyres or flat-free (foam filled) tyres. The castor wheels have pneumatic tyres or solid polyurethane tyres.

A Pneumatic tyres

B Flat-free (foam filled) tyres

 Inflating the pneumatic tyres. See page 64.

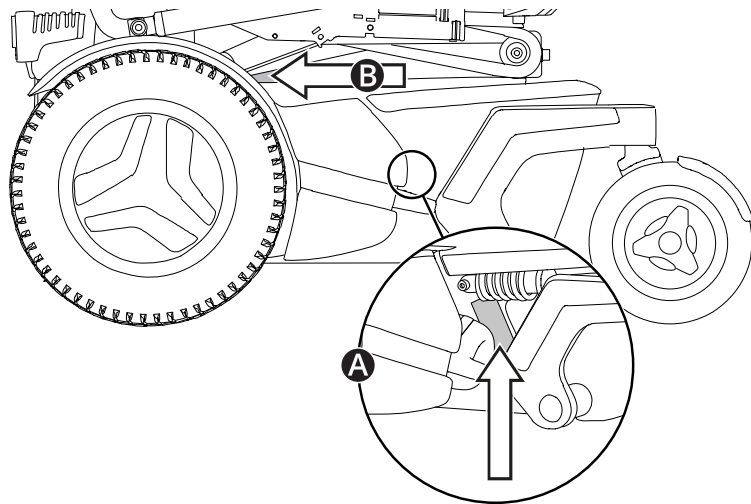
2.8 Tie-down points



The wheelchair is equipped with four tie-down points used for transportation 🚗 ✈️ 🚂. Two in the front **A** and two in the rear **B**.

📖 Vehicle transportation. See page 33.

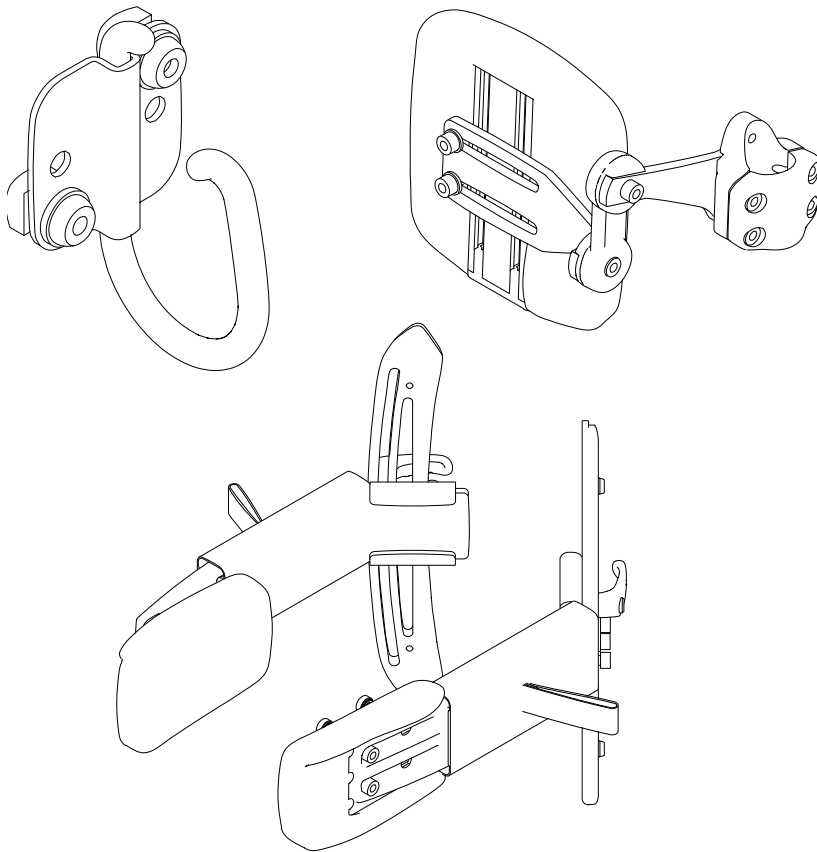
2.9 Serial number label



The serial number label is located on the lower, left-hand side of the wheelchair chassis. **A** An additional serial number label is located on the seat tilt **B**. You may need to tilt the seat to see the serial number label.

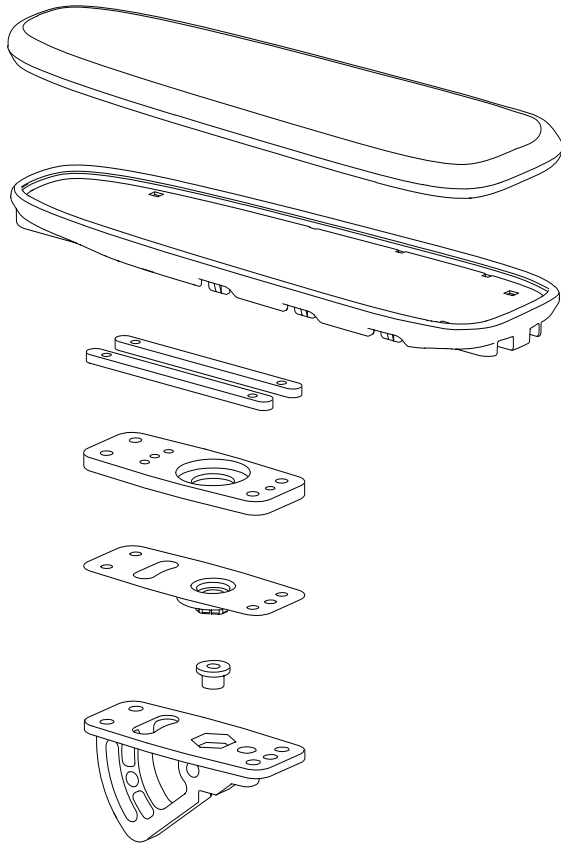
The contents of the serial number label are described on page 22.

2.10 Accessories



Accessories for Permobil products are subject to continuous development. Contact your nearest Permobil dealer for more information on the accessories available for your product. Only use accessories that are authorised by Permobil.

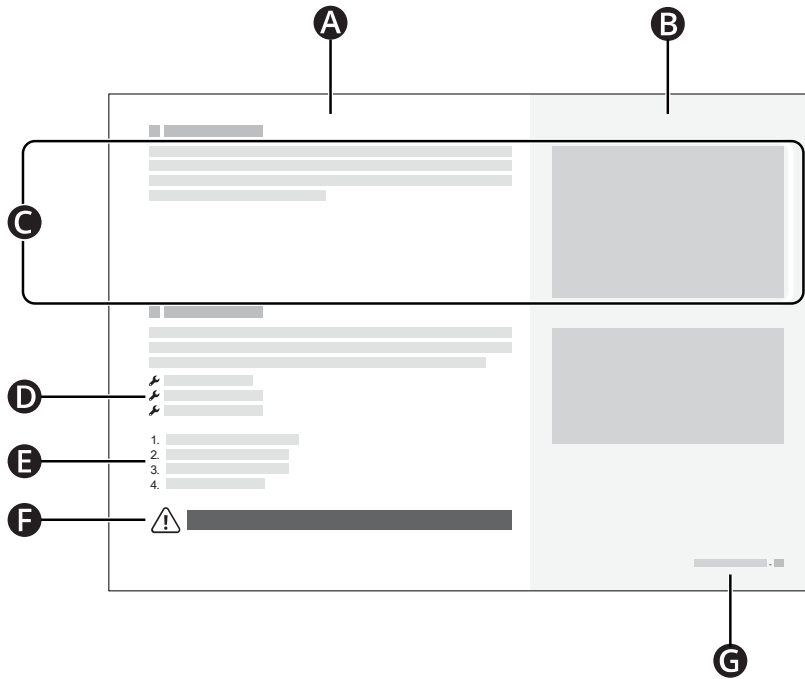
2.11 Spare parts



Spare parts must be ordered through Permobil.

Only use spare parts that are authorised by Permobil.

2.12 User manual



- A** Main text area
- B** Main illustration area
- C** Text correlates to the illustration to the right
- D** Tool list
- E** Instruction steps
- F** Warning sign
- G** Chapter and page number

3 Safety

Your wheelchair is a complex medical device and must be used safely. This chapter contains important information about how to safely use your wheelchair.

Permobil is not responsible for personal injuries or property damage resulting from any person's failure to follow the warnings and instructions in this user manual or from failure to exercise good judgement.

The following warnings are referenced throughout this user manual. Whenever you see the exclamation mark symbol, refer back to this chapter to review the appropriate warning.

3.1 Types of warning signs

The following types of warning signs are used in this manual:



WARNING!

Indicates a hazardous situation which, if not avoided, could result in serious injury or death as well as damage to the product or other property.



CAUTION!

Indicates a hazardous situation which, if not avoided, could result in damage to the product or other property.



IMPORTANT!

Indicates important information.

3.2 Warning signs



WARNING! Follow the warnings and instructions

Follow the warnings and instructions in this user manual. If you fail to do so, it could lead to bodily injury.



WARNING! Vehicle seating requirements

When you use the wheelchair as a seat in a vehicle, it must be forward-facing and you must use a three-point belt restraint, including a shoulder and pelvic belt, to reduce the risk of head and chest impacts with vehicle components. The wheelchair is only designed and tested for use in this configuration. If the wheelchair is used in another vehicle seating configuration, it can lead to bodily injury or death.



WARNING! Use tie-down points and docking systems properly

Make sure that you use tie-down points and docking systems properly. If you do not use them properly, it can lead to bodily injury or death.



WARNING! Pay attention to release mechanisms

Adjust your restraint system such that the release mechanisms cannot be pressed during a crash. If you fail to do so, it could lead to bodily injury or death.



WARNING! Positioning aids do not replace seatbelts

Wheelchair positioning aids do not replace vehicle mounted seatbelts. In a traffic accident, they do not provide the same protection as vehicle mounted seatbelts. If you use positioning aids as a seat belt, it can lead to bodily injury or death.



WARNING! Use positioning aids at all times

Use securely fastened positioning aids, including your positioning belt, at all times. If you do not, you can sustain bodily injuries.



WARNING! Do not overload the wheelchair

Do not use the wheelchair to pull any kind of object and never hang excessive weights on the wheelchair. If you do, the wheelchair may become less stable and injure you.



WARNING! Remain aware of your wheelchair's dimensions

Always remain aware of your wheelchair's dimensions. Some emergency exits or routes can be too small for your wheelchair to navigate through them.



IMPORTANT! Do not modify the wheelchair

Do not modify your wheelchair or any of its components. Your wheelchair has been configured specifically for your needs as prescribed by your healthcare provider. Special skills, training, and knowledge are needed to set up, modify, and repair the wheelchair.



WARNING! Avoid steep slopes

Do not drive the wheelchair on slopes steeper than 10°. If you do, the wheelchair may become less stable and injure you. For maximum performance and stability, use caution on slopes steeper than 6°.



WARNING! Use freewheel mode cautiously

Freewheel mode should only be used on level ground and when an attendant is present to control the wheelchair. If you use freewheel mode on an incline or without an attendant, you may get injured or cause property damage.



WARNING! Do not exceed the maximum user weight

Do not drive the wheelchair if you exceed the maximum user weight. If you do, the wheelchair can harm you or break.



WARNING! No passengers

Do not use the wheelchair to carry passengers, regardless of their age or weight. If you do, it could affect the wheelchair's manoeuvrability and stability.



WARNING! Drive extra carefully when lifted or tilted

If the seat or backrest is lifted or tilted on flat ground, drive at a low speed. If the seat or backrest is lifted or tilted, do not drive the wheelchair on slopes or over obstacles. If you do, the wheelchair may become less stable and injure you.



WARNING! Do not remove the support wheels

Do not remove the support wheels. If you do, the wheelchair is more likely to tip forward, which may cause injury.



IMPORTANT! Do not use a damaged wheelchair

If the wheelchair or its accessories have suffered transportation damage, damage during driving, or damage from other causes, you must inform Permobil as soon as possible and immediately stop using your wheelchair. There is a risk that the wheelchair or its accessories can no longer be used safely. Contact your service provider or Permobil for further information.



WARNING! Keep the electronics dry

Make sure that the electronics are not exposed to moisture. If any of the shrouds or the joystick boot have cracks or tears, replace them immediately. Exposure to moisture can cause the wheelchair to short-circuit or catch fire, which may lead to personal injury or property damage.



WARNING! Do not get pinched

The wheelchair is heavy and contains many moving parts, which means that you can be pinched when you adjust the wheelchair or if you use the wheelchair incorrectly. When you see this warning, be mindful of your body location to avoid pinching accidents. Do not put any part of your body between moving parts.



WARNING! Use the leg support tilt cautiously

Do not use the leg support tilt when a knee support is in place. If you do, it may lead to bodily injury.



IMPORTANT! Recycle all batteries

Used batteries must be disposed of responsibly in accordance with local recycling regulations.



WARNING! Use the recommended tyre pressure

Use the recommended tyre pressure. If you overfill the tyres, they may explode and cause bodily injury.



IMPORTANT! Electromagnetic fields

The electronics in a power wheelchair can be affected by external electromagnetic fields (for example mobile phones).



WARNING! Discontinue use after extraordinary events

Do not use your wheelchair if it has been dropped, crushed, exposed to fire, submerged in water, or involved in a vehicle accident, or other extraordinary events. Events like these may lead to significant damage that is impossible to detect upon inspection. Contact your service provider or Permobil. Damage caused by these types of incidents exceeds the limits covered by the manufacturer's guarantee.



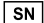



WARNING! Sufficient ground clearance

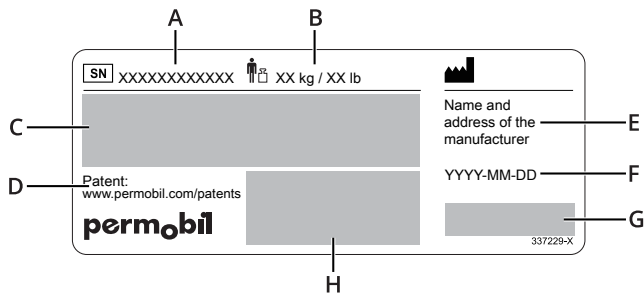
Always position the leg support and footplate high enough so that they will not hit the ground when you drive your wheelchair. This includes when you drive over changing slopes or over obstacles. If you allow the leg rest or footplate to hit the ground, the wheelchair may become less stable and injure you.

3.3 Labels

Your wheelchair has labels that contain important information about safety and proper use. These labels are described in greater detail in this subchapter. Do not remove labels from the wheelchair. If a label becomes difficult to read or falls off, order a replacement from Permobil.

Serial number label

- A.  Serial number of the wheelchair
- B.  Maximum user weight
- C. Model: Model
Model version: Model version
- D. Link to patents
- E. Name and address of the manufacturer
- F. YYYY-MM-DD: Date of manufacture
- G.  CE mark
 Medical device
- H. Unique Device Identification (UDI) as a GS1 DataMatrix including: date of manufacture and serial number



Warning

This label indicates that special attention is required.



Read the instructions

This label means that you must refer to your user manual.



Pinch risk

This label indicates a pinch risk. When you see this label, be extra careful to avoid pinching yourself or your belongings.



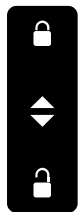
Main circuit breaker

This label shows the on and off positions for the main circuit breaker. Read more on page 39.



Freewheel mode

The image above the arrows indicates that the wheelchair is not in freewheel mode. The illustrations below the arrows indicate that the wheelchair is in freewheel mode. Read more about freewheel mode on page 33.



Tie-down points

This label shows the wheelchair's tie-down points. Read more about wheelchair transportation on page 33.



Support wheels

This label indicates that you must not remove your support wheels.



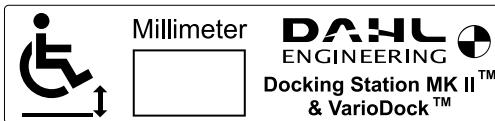
Conformance with ISO 7176-19

This label shows conformance with ISO 7176-19. See 4.6.2 *Using the wheelchair as a seat in a vehicle*.



Dahl docking station

If your wheelchair has been equipped with a lock plate for Dahl MK II or VarioDock, it will have this label. The lock plate is installed underneath the wheelchair.



4 Wheelchair usage

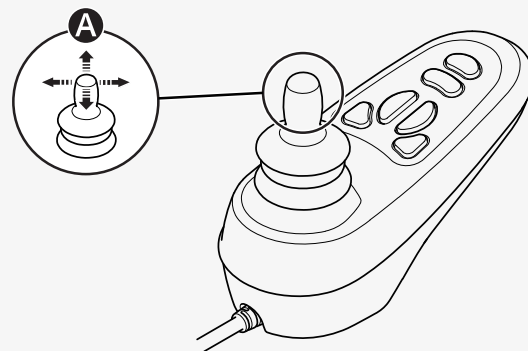
This chapter aims to provide you with basic information to quickly get started with your wheelchair, and also provide you with information you may need in your everyday use of the wheelchair. The following subchapters describe how to drive the wheelchair, how to use the most common seat functions, how to charge the batteries, how to enter and exit freewheel mode, and some helpful information if you want to transport your wheelchair. They also describe the main circuit breaker, wheelchair storage, and manual adjustments.

4.1 Driving the wheelchair

You must always drive your wheelchair carefully and defensively. Your wheelchair is a complex medical device, not a car. Due to the individualised nature of Permobil products, your wheelchair is equipped with one of numerous different ways to drive it. The most common way is described below, but your wheelchair may not conform to this process depending on its individualisation.

To drive your wheelchair, you must first turn on the power. The power button or switch is most commonly located on the wheelchair's control panel, which is usually attached to the armrest. Most Permobil wheelchairs also include a joystick on the control panel. Use this joystick to turn the wheelchair and to drive forwards and backwards. Simply press the joystick in the direction you want to go **A**. The further you press the joystick, the faster the wheelchair will move. Release the joystick to stop moving.

Drive as gently as possible and avoid sudden braking. Do not turn off the power to stop the wheelchair. If you turn off the power while driving, the wheelchair will stop abruptly.



Do not move the joystick before, during, or immediately after you turn on the control system. If you move the joystick during this time, it can generate a joystick error. If this happens, turn the wheelchair off and then on.

For additional information on how to control your wheelchair, refer to any other documentation received with your wheelchair or contact your Permobil dealer.

Turn off the power before you get in or out of the wheelchair or lift the armrest. Do not use the joystick as support when you get in or out of the wheelchair.

The first time you drive your wheelchair must be in the presence of a person who is qualified to ensure that the wheelchair is properly fit for you.

Make sure that your feet are correctly and securely positioned on the footplates before you drive the wheelchair.

4.1.1 Driving restrictions

The wheelchair consumes a lot of power when you drive up a hill, over obstacles, or on rough terrain (such as sand). Permobil recommends that you, as far as possible, avoid driving for a long period of time in these types of conditions.



Permobil recommends that you do not use the wheelchair in extreme conditions, such as heavy rain, thick snow, or excessive heat or cold. Prolonged exposure to sunlight or cold temperatures may cause wheelchair surfaces to become very hot or cold. The driving range of your wheelchair is approximately 25 km (16 mi) when the battery temperature is 25°C (77°F). The driving range is affected by the battery temperature. Temperatures below 25°C (77°F) can shorten the driving range. Temperatures below -25°C (-13°F) can harm the batteries.

Do not use the wheelchair on stairs or escalators. Remember that alcohol can affect your ability to drive a power wheelchair.

This user manual's wheelchair specification states the wheelchair's maximum user weight. The stated user weight includes the user and any personal effects.

If the wheelchair is not behaving as it should, or if you suspect that something is wrong, stop the wheelchair as soon as possible, turn off the power and contact your service provider or Permobil for further information.

Avoid sudden stops and starts. Use caution in any of the following situations:

- when you are near edges or on elevated surfaces
- when driving on soft or uneven surfaces, such as grass, gravel, sand, ice, or snow
- when you drive from an area of high traction (such as a pavement) to an area of low traction (such as grass)
- when in narrow or confined spaces
- when there are ridges that could cause the wheelchair to move in a different direction

When you drive over an obstacle, always directly face it. You can drive over obstacles up to 75 mm (3"). If you drive over higher obstacles, there is a greater risk of tipping and of damage to the wheelchair. If a car lock is installed on the wheelchair, it affects the ground clearance.



When you drive downhill, additional precautions must be taken. Select the lowest maximum speed and proceed with caution. Driving down a slope can shift your centre of gravity forward. Release the joystick if the wheelchair is rolling faster than you would like. This makes the wheelchair stop, and you can descend again more slowly. Avoid sudden stops and starts. Note that the distance required to stop will increase when you drive downhill.

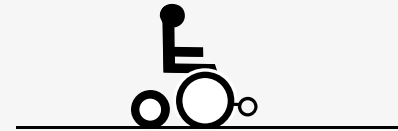


When driving uphill, drive straight up the slope, if possible.

4.2 Support wheels

The wheelchair can be fitted with support wheels to reduce the risk of tipping. If your wheelchair is fitted with support wheels, they must remain installed.

The seat position affects the stability of the wheelchair even if the wheelchair has support wheels.



4.3 Seat functions

Your wheelchair may have seat functions. A seat function is a powered adjustment.

Due to the custom nature of Permobil products, your wheelchair is equipped with one of numerous different ways to adjust its seat functions. For additional information on how to control your wheelchair, refer to any other documentation received with your wheelchair or contact your Permobil dealer.

Permobil offers the following seat functions. Available functions may vary depending on the equipment fitted on your wheelchair.

- seat lift
- seat tilt
- forward tilt
- backrest tilt
- leg support tilt
- footplate lift

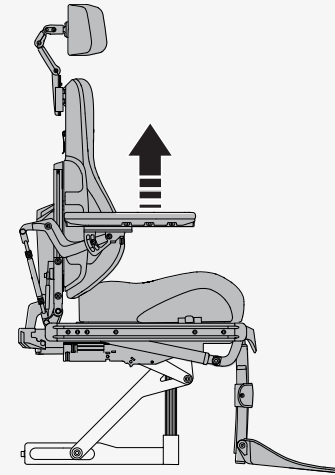
The wheelchair's centre of gravity changes when you change the position of the seat and/or the backrest. When you lift or tilt the seat or backrest, you decrease the wheelchair's stability.



WARNING! Drive extra carefully when lifted or tilted

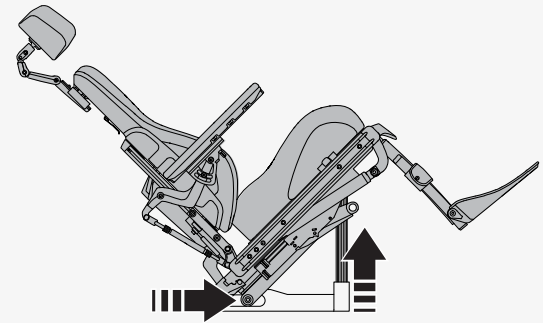
4.3.1 Seat lift

The seat lift lifts and lowers the seat. When the seat is lifted, the maximum speed of the wheelchair can be reduced automatically or the ability to drive the wheelchair can be restricted completely. The reduced maximum speed can be indicated with a turtle on the display of the control panel, and the drive restriction can be indicated with a red light.



4.3.2 Seat tilt

The seat tilt tilts the entire seat, from headrest to leg support. When the seat is tilted, the maximum speed of the wheelchair can be reduced automatically or the ability to drive the wheelchair can be restricted completely. The reduced maximum speed can be indicated with a turtle on the display of the control panel and by a yellow light on the switch box. The drive restriction can be indicated with a red light on the switch box or by a flashing turtle on the display of the control panel.



4.3.3 Forward tilt

The forward tilt has programmable positions to meet individual needs.

Typical tilt positions are 5°, 10°, 20°, and 45°.

- 10° makes it easier to reach objects, for instance on a table.
- 20° extends your reach even further.
- 45° lowers the footplates.

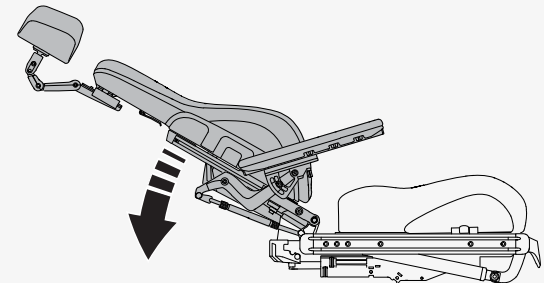
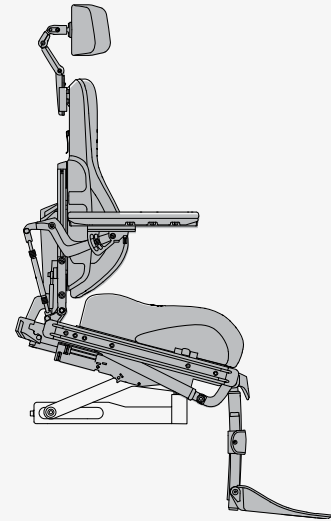
When you tilt the seat forward or backward, it will stop when it reaches a preprogrammed position or a neutral, not tilted, position. In order to continue the movement forwards or backwards from a position, press the button or repeat the joystick manoeuvre again. The tilt angle may vary depending on how the forward tilt is programmed and if any positioning limitations apply.



WARNING! Use positioning aids at all times

4.3.4 Backrest tilt

The backrest tilt tilts the backrest backwards and back up again. When the backrest is tilted, the maximum speed of the wheelchair may be reduced automatically or the ability to drive the wheelchair may be restricted completely. The reduced maximum speed may be indicated with a turtle on the display of the control panel and by a yellow light on the switch box. The drive restriction may be indicated with a red light on the switch box or by a flashing turtle on the display of the control panel.



4.3.5 Leg support tilt

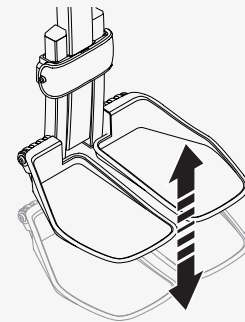
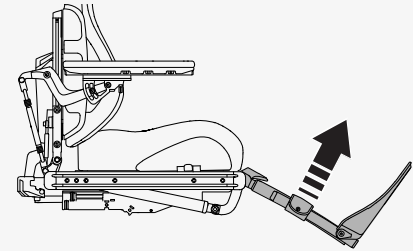
The leg support tilt tilts the leg support. When the leg support is tilted, the maximum speed of the wheelchair may be reduced automatically or the ability to drive the wheelchair may be restricted completely. The reduced maximum speed may be indicated with a turtle on the display of the control panel and by a yellow light on the switch box. The drive restriction may be indicated with a red light on the switch box or by a flashing turtle on the display of the control panel.



WARNING! Use the leg support tilt cautiously

4.3.6 Footplate lift

The footplate lift shortens or lengthens the leg supports to adjust the height of the footplates. You can use this function to adjust the pressure on the back of your thighs.



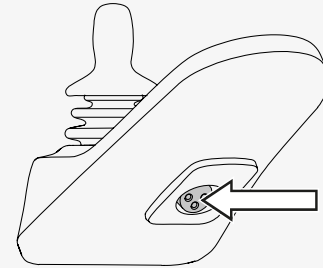
4.4 Charging the batteries

You can charge your wheelchair from the control panel. The charging socket is located at the front of the joystick. Always connect the charger to the wheelchair first before you connect the charger to the wall. It is not possible to drive the wheelchair while it charges.

Charge the wheelchair as often as possible. Do not use the wheelchair if the battery charge is low; otherwise you could become stranded. If the batteries become completely discharged, charge them immediately.

Only use a Permobil charger intended for use with your wheelchair. Charge the batteries in a well-ventilated, dry room. Never expose your batteries or any part of your wheelchair to an open flame.

For more information and further instructions, see the battery charger's manual that was supplied with your wheelchair, or contact Permobil.



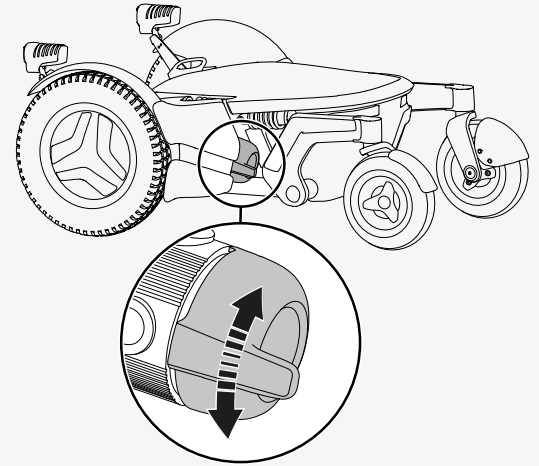
4.5 Freewheel mode

The wheelchair is fitted with two freewheel levers. When the freewheel levers are released, the wheelchair's brakes are disengaged from the motor. When in freewheel mode, the wheelchair can be moved manually, but cannot be controlled electronically.

When the wheelchair is in freewheel mode, it should not be possible to drive the wheelchair. If it can be driven, contact your service technician.



WARNING! Use freewheel mode cautiously



4.5.1 Entering freewheel mode

1. Make sure that the wheelchair is on level ground.
2. Turn off the wheelchair.
3. Flip the freewheel levers downward.

4.5.2 Exiting freewheel mode

1. Turn off the wheelchair.
2. Flip the freewheel levers upward.

4.6 Vehicle transportation

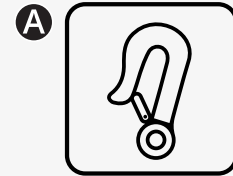
This chapter describes how you transport your wheelchair in a vehicle. The wheelchair must only be transported in wheelchair accessible vehicles.

4.6.1 Securing the wheelchair in a vehicle

This chapter describes how you secure the wheelchair in a vehicle. You must either secure the wheelchair at its tie-down points or use a docking system that complies with ISO 10542-1:2012, which is an international standard that governs wheelchair tie-downs and occupant-restraint systems.

Remove loose objects, trays and other auxiliary equipment from your wheelchair and store them safely before you transport your wheelchair in a motor vehicle. If you transport a wheelchair in a motor vehicle with loose objects, trays or other auxiliary equipment, the vehicle's occupants could suffer bodily injury.

This is how you secure the wheelchair at its four tie-down points. Make sure that the wheelchair is properly secured and that the wheelchair is not in freewheel mode. Secure the wheelchair with straps at the tie-down points at the front and rear. The tie-down points are marked with yellow labels **A**. Use heavy-duty straps when necessary.

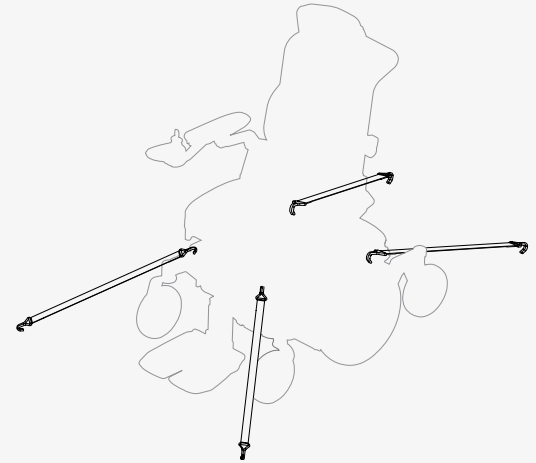


After you have secured the straps to your wheelchair, secure the other end of the straps to your vehicle according to the appropriate instructions. The end-fitting on the strap must comply with ISO 10542–1:2012, which is an international standard that governs wheelchair tie-downs and occupant-restraint systems. Every vehicle tie-down system is different, and it is important that you follow the instructions for your particular vehicle system.

To make transportation of the wheelchair easier, you can remove or fold down the backrest. This is done in a few simple moves. See page 45. If necessary, you can also remove the headrest. See page 40.

You can also use a docking system to secure your wheelchair. The Dahl MK II and VarioDock are approved docking systems. The maximum user weight for Dahl docking stations is 136 kg. See the docking station's manual on how to operate it.

For service technicians who install lock plates, find the relevant assembly instruction here: <https://refs.permobil.com/IFU/332849>



4.6.2 Using the wheelchair as a seat in a vehicle

Permobil recommends that, whenever feasible, you transfer to a vehicle seat and that you use the vehicle's restraint systems. The unoccupied wheelchair should be stored in a cargo area or secured in the vehicle during travel. Follow the instructions below if you want to use the wheelchair as a seat in a vehicle.



WARNING! Positioning aids do not replace seatbelts

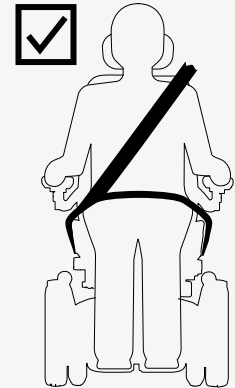
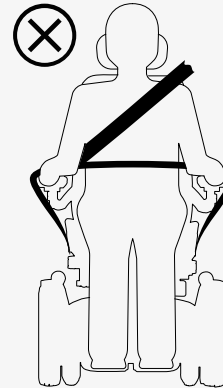


WARNING! Vehicle seating requirements

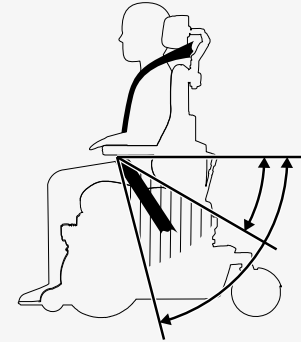
The wheelchair should be forward-facing when you use it as a seat in a vehicle. Permobil has no manufacturer-designated wheelchair-mounted belt restraints. Use the vehicle's restraint systems.

You must use both pelvic-belt restraints and shoulder-belt restraints. Pelvic and shoulder-belt restraints should be used together as designed.

Make sure that the belt restraints are as tight as possible, without becoming uncomfortable, and that they are not twisted. They must be close to your body and not held away by parts of the wheelchair. Adjust your restraint system such that the release mechanisms cannot be pressed during a crash.



The shoulder-belt restraint should be worn over the middle of the shoulder. The pelvic-belt restraint should be in contact with and worn low across the pelvis and within the preferred zone of 30° to 75°. A steeper pelvic-belt angle between 45° to 75° to the horizontal is preferred. Make sure that no components of the wheelchair are lifted or tilted. The wheelchair must be in the position shown in the illustration.



4.7 Air transportation

This chapter contains information that may be helpful if you are transporting your wheelchair by air.

4.7.1 Batteries

The main circuit breaker must always be in the off position. In most cases, gel batteries do not have to be removed from the wheelchair.

4.7.2 Weight and dimensions

Contact the relevant airline for applicable rules on weight and dimensions for your power wheelchair.

4.7.3 Preventing damage to wheelchair

Since the wheelchair will be put with other goods in a confined space during the flight, it is important to take preventive measures to minimise transportation damage to the wheelchair.

Cover the control panel and other sensitive objects with soft, shock-absorbing material (foam plastic or similar). Push the control panel toward the backrest. Tape any loose cables to the seat or hoods.

4.8 Rail transportation

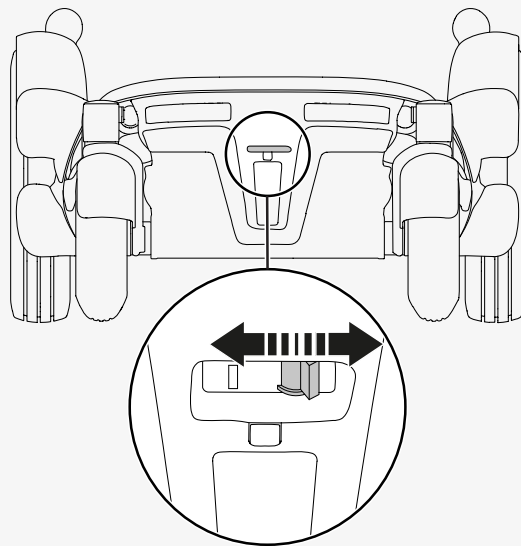
Regulation (EU) 1300/2014 concerns the interoperability of the European rail network. A part of this regulation contains limits for weights and dimensions. Your wheelchair may deviate from the weight limits and from the dimension limits specified.

4.9 Main circuit breaker

Your wheelchair has a main circuit breaker with two functions. You can use it to turn off the main power, for example before you transport the wheelchair. It also trips if there are any issues with the circuits.

The first time the main circuit breaker trips, you can reset it yourself. If it trips again, contact your service technician.

Use the lever at the back of the wheelchair to turn on and off or to reset the main circuit breaker. Always turn off the control panel before you turn off the main circuit breaker.



4.10 Wheelchair storage

You can store your wheelchair for a short or long period of time.

When you store it for a short time, make sure that the room is dry and not colder than 5°C (41°F). If the temperature is lower, the batteries might not charge fully. They are also more vulnerable to corrosion.

When you store it for a long time, fully charge the batteries before storage. Remember to switch off the main circuit breaker. Charge the batteries every month. You will need to switch on the main circuit breaker to charge the batteries, then switch off the main circuit breaker if the wheelchair is to remain in storage.

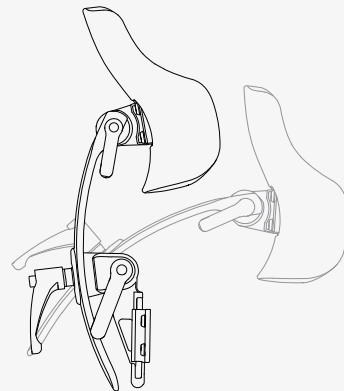
4.11 Manual adjustments

The wheelchair may have functions that are adjusted manually. Available functions vary depending on the equipment fitted on your wheelchair.

If you do not have the powered lift function on your wheelchair, seat height must only be adjusted by authorised service providers.

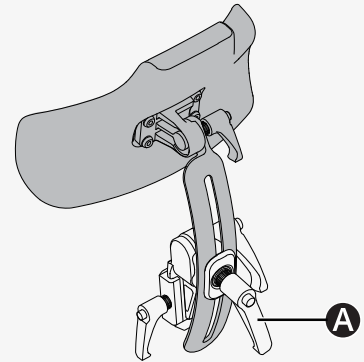
4.11.1 Headrest

This chapter shows you how to adjust the height, depth, and angle of the headrest. It also shows you how to remove and install the headrest. Do not put any weight on the headrest while you adjust it. If you do, you may damage it.



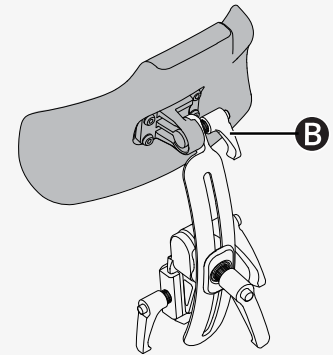
This is how you adjust the height and depth of the headrest.

1. Loosen the handle **A** on the backrest.
2. Adjust the height or depth to the preferred position.
3. Tighten the handle **A**.



This is how you adjust the angle of the headrest.

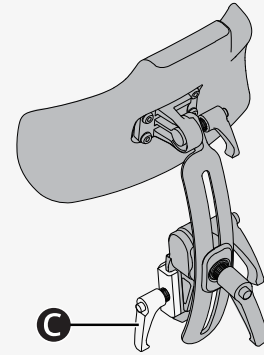
1. Loosen the handle **B** on the rear of the headrest.
2. Adjust the headrest angle to the preferred position.
3. Tighten the handle **B**.



This is how you remove and install the headrest.

1. Loosen the handle **C** on the backrest.
2. Lift the headrest straight up.

Install the headrest in the reverse order. You can remove and install the headrest without affecting current settings.



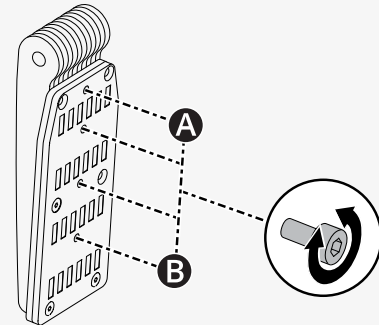
4.11.2 Headrest with link hardware

This chapter shows you how to adjust the height, depth, and angle of the headrest. It also shows you how to remove and install the headrest.

This is how you adjust the height of the headrest. There are four different height settings on your headrest. Setting **A** is the lowest and setting **B** is the highest. If setting **A** is used, test the seat functions seat tilt and backrest tilt for interference.

 Allen key 2.5 mm

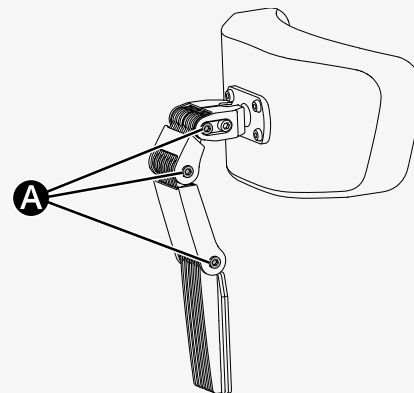
1. Follow the instructions below to remove the headrest.
2. Remove the screw and put it in the preferred setting on the bracket.
3. Follow the instructions below to install the headrest.



This is how you adjust the height and depth of the headrest.

🔑 Allen key 5 mm

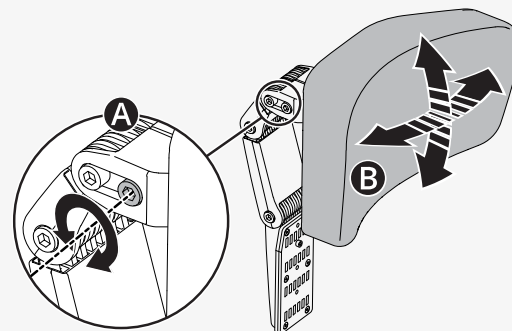
1. Loosen the screw at each link **A**.
2. Change the angle of the links as required.
3. Tighten the screws.



This is how you adjust the angle of the headrest.

🔑 Allen key 5 mm

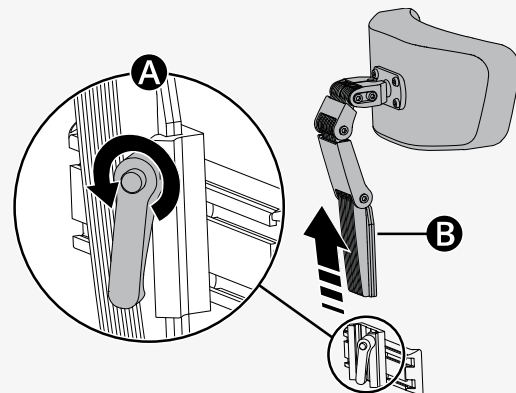
1. Loosen the front screw **A** in the top link.
2. Adjust the headrest angle to the preferred position **B**.
3. Tighten the screws.



This is how you remove and install the headrest.

1. Loosen the handle **A** at the rear of the backrest.
2. Lift the headrest straight up **B**.

Install in the reverse order. You can remove and install the headrest without affecting current settings.

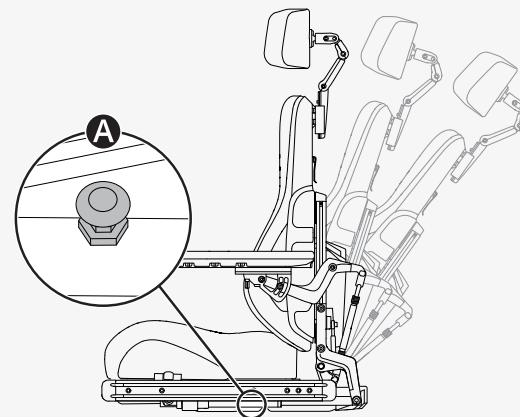


4.11.3 Backrest tilt

You can adjust the backrest to several fixed positions. From an upright position, the backrest can be tilted a maximum of 45°.

Do not put any weight on the backrest while you adjust it.

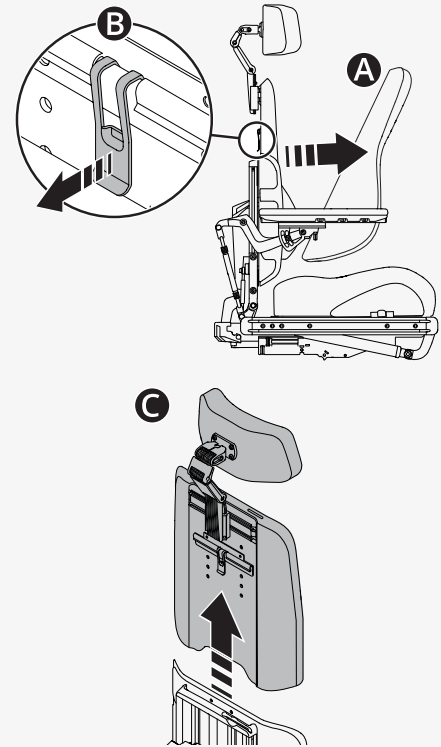
1. Hold the backrest and pull out the handle **A** of the quick-acting lock so that the locking tube moves freely.
2. Adjust the backrest angle to the preferred position.
3. Release the handle **A** to lock the locking tube.
4. Make sure that the backrest is locked in position.



4.11.4 Removing the backrest

You can remove the backrest to make transportation of the wheelchair easier. First, remove the backrest cushion **A**. It is attached with Velcro. Then carefully undo the clip **B** on the backrest and pull the upper part of the backrest straight up **C**.

If necessary, you can also remove the headrest. See 4.11.1 *Headrest*, page 40.



4.11.5 Armrest

This chapter shows you how to adjust a swivelling armrest and how to adjust armrest height and armrest angles.

4.11.5.1 Swivelling armrest

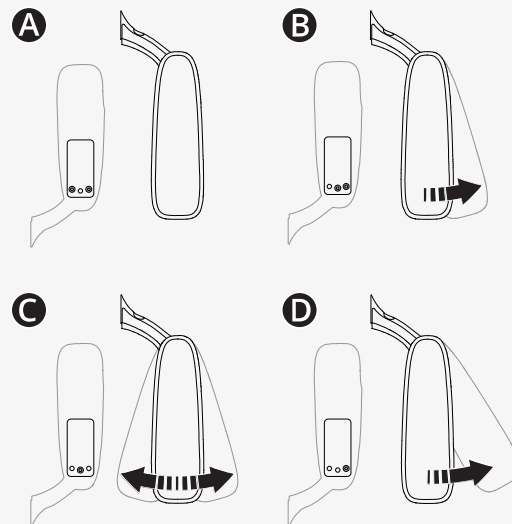
This chapter describes how you adjust a swivelling armrest. A swivelling armrest is an armrest that you can push in or out as preferred between certain settings. There is one locked setting **A** and three swivel settings **B C D**.

Swivel settings		
A	Factory setting	Locked
B	Factory setting	0° to +15°
C	Custom setting	-15° to +15°
D	Custom setting	0° to +30°

This is how you change the swivel setting.

🔧 Allen key 5 mm

1. Fold up the armrest.
2. Remove the screws from the current setting.
3. Insert and tighten the screws in the preferred setting.
4. Fold down the armrest.



4.11.5.2 Armrest height and armrest angles

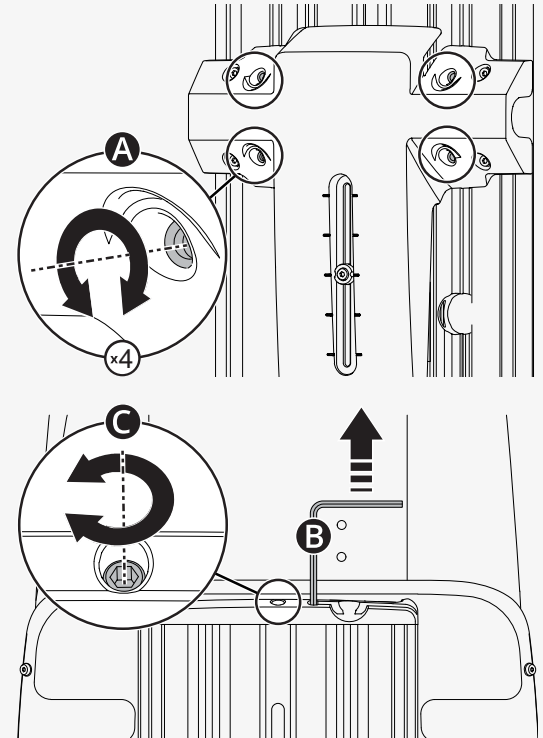
This chapter shows you how to adjust the height of the armrest and the angles of the armrest. There are two ways to adjust the armrest angle.

This is how you adjust the height of the armrest. You can see the current height of the armrest on the backrest. The adjustment crank is located in the backrest.

🔑 Allen key 5 mm

🔑 Adjustment crank

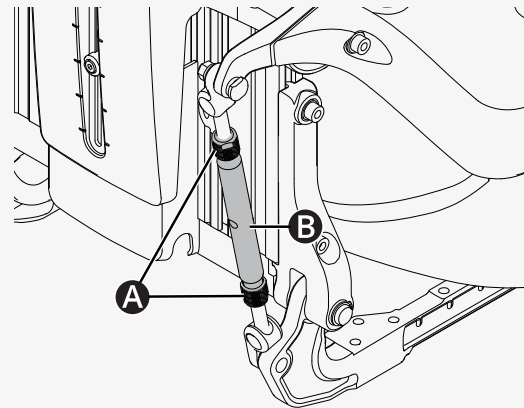
1. Loosen the four screws **A** on the backrest.
2. Remove the adjustment crank **B**.
3. Use the adjustment crank to turn the adjustment screw **C** until the armrest is in the preferred position.
4. Tighten the four screws on the backrest.



This is one way to adjust the angle of the armrest. The lower lock nut has a left-hand thread.

🔧 Spanner 14 mm

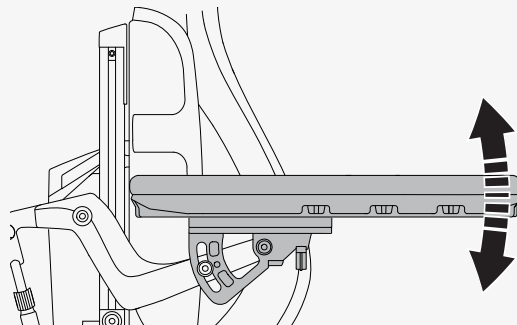
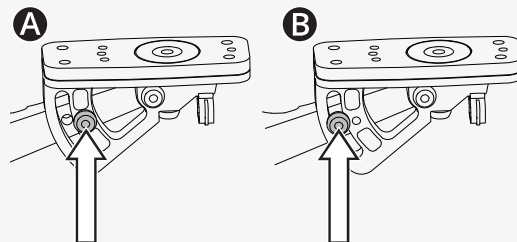
1. Loosen the two lock nuts **A** on the adjustment bar **B**.
2. Turn the adjustment bar to adjust the armrest angle to the preferred position.
3. Tighten the two lock nuts.



This is the other way to adjust the angle of the armrest.

🔑 Allen key 5 mm

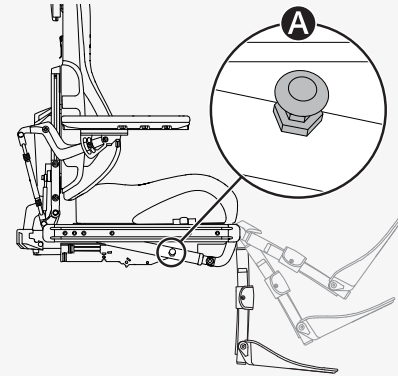
1. Move the screw from the fixed position **A** to the flexible position **B**.
2. Adjust the armrest angle to the preferred position.
3. Tighten the screw **B**.



4.11.6 Leg support tilt

The leg rest on your wheelchair can be adjusted to several positions from vertical to horizontal.

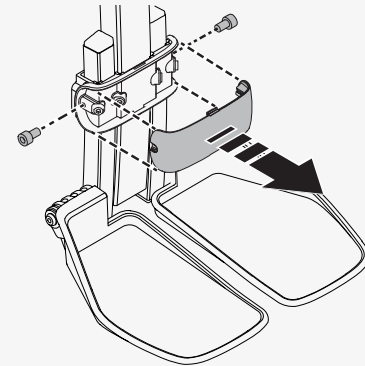
1. Pull out the handle **A** of the quick-acting lock so that the locking tube moves freely.
2. Adjust the leg rest angle to the preferred position.
3. Release the handle **A** to lock the locking tube.
4. Make sure that the leg rest is locked in position.



4.11.7 Footplates

This chapter shows you how to adjust the height and the angle of the footplates. There are two ways to adjust the height of the footplates. You need to remove the leg rest cover before you can make any height adjustment.

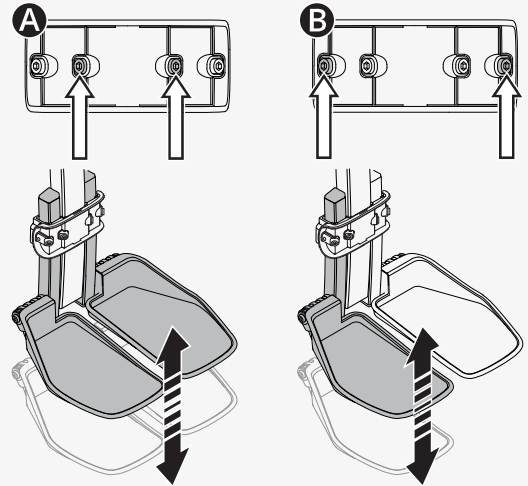
1. Remove the two screws.
2. Pull the leg rest cover forward.



This is how you adjust the height of the footplates.

- A** Adjusts both footplates to the same height
- B** Adjusts the footplates separately, if you prefer them at different heights

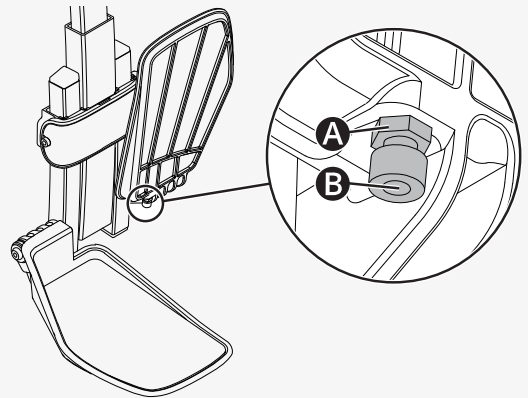
1. Undo the locking screws.
2. Adjust the footplates to the preferred height.
3. Tighten the locking screws.
4. Make sure that the footplates are secured.
5. Push the leg support cover into place.
6. Tighten the two screws.



This is how you adjust the angle of the footplates. You can adjust the footplates separately if you prefer them at different angles.

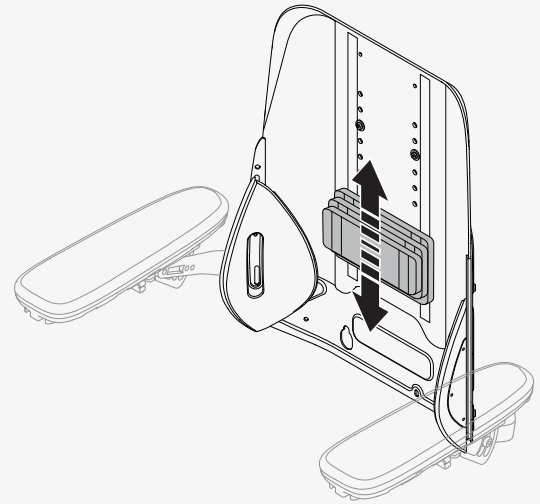
- 🔑 Allen key 5 mm
- 🔑 Spanner 10 mm

1. Tilt up the footplate.
2. Loosen the lock nut **A**.
3. Turn the stop screw **B** up or down until the footplate angle is in the preferred position.
4. Tighten the lock nut **A**.



4.11.8 Lumbar support

This chapter shows you how to adjust the lumbar support. The lumbar support consists of three cushions with Velcro. If you want to adjust it, simply remove the backrest cushion and adjust the lumbar support as preferred.



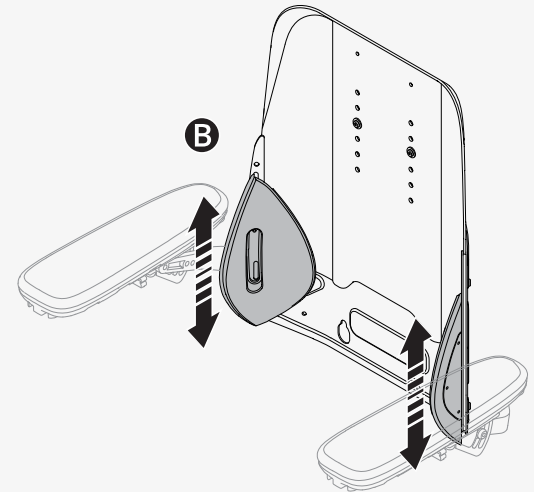
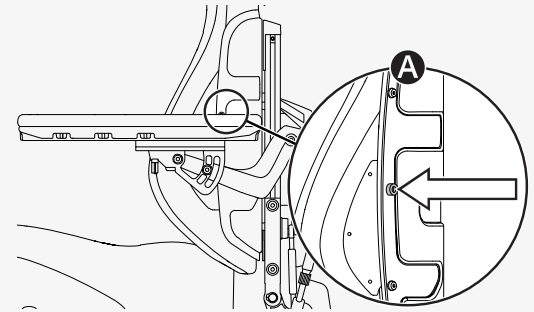
4.11.9 Trunk support

This chapter shows you how to adjust the height of the trunk support.

This is how you adjust the height of the trunk support.

🔑 Allen key 5 mm

1. Remove the backrest cushion.
2. Loosen the screw **A** on the backrest that holds the trunk support in place.
3. Adjust the trunk support **B** to the preferred position.
4. Tighten the screw **A**.
5. Put back the backrest cushion.

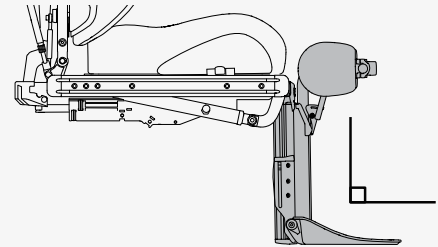


4.11.10 Knee support

This chapter gives you information about the position of the knee support and shows you how to remove and attach the knee support.

The knee support must be placed below the kneecap. If the knee support is not in the correct position, contact an authorised service technician. All adjustments of the knee support must be made by an authorised service technician.

You can remove the knee support from the leg support to make it easier to get in and out of the wheelchair. The leg support must be in its most vertical position (90° to the seat) before you can remove the knee support.

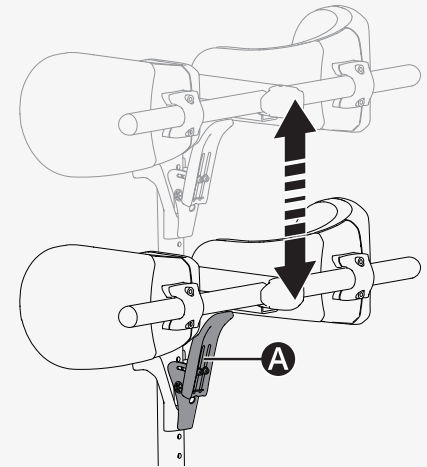


1. Make sure that the leg support is locked in position.
2. Press and hold the latch **A**.
3. Lift the knee support straight up.

When you attach the knee support to your wheelchair, make sure that it is securely in position before you rely on it for support. If you do not properly secure the knee support, it may lead to bodily injury.



WARNING! Use the leg support tilt cautiously



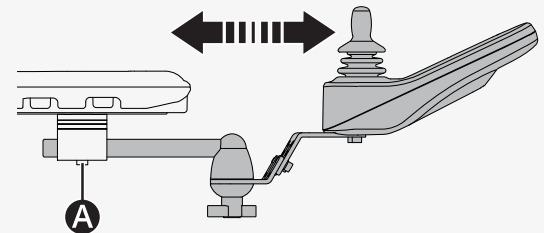
4.11.11 Rotational panel holder

You can adjust the distance between the armrest and the control panel, the resistance of the rotational panel holder, and the angle of the rotational panel holder.

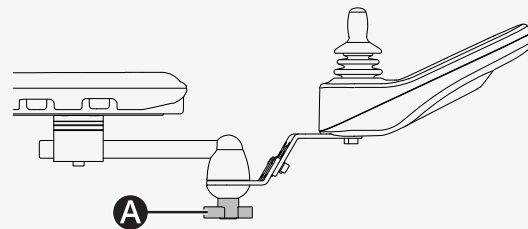
This is how you adjust the distance between the armrest and the control panel.

🔧 Allen key 5 mm

1. Loosen the screw **A** on the panel joint.
2. Adjust the control panel to the preferred position.
3. Tighten the screw.



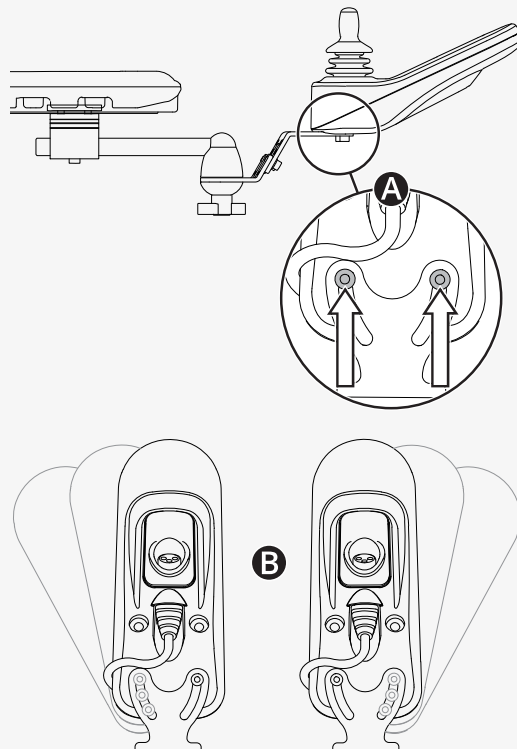
This is how you adjust the resistance of the rotational panel holder.
Loosen or tighten the knob **A** on the friction joint to adjust how easily the rotational panel holder can be pushed to either side.



You can angle the rotational control panel to either side. This is how you adjust the angle.

🔧 Allen key 4 mm

1. Remove the screw **A** on the side you want to angle.
2. Loosen the other screw **A**.
3. Adjust the angle of the panel **B** to the preferred position.
4. Tighten the two screws.



4.11.12 Parallel panel holder

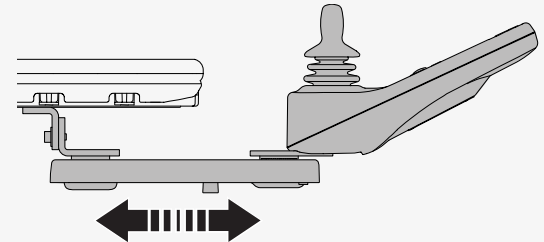
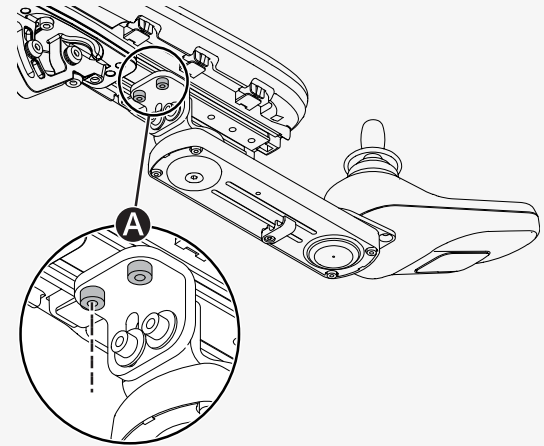
You can adjust the distance between the armrest and the control panel. It is also possible to adjust the angle of the control panel.

This is how you adjust the distance between the armrest and the control panel. Leave a gap of at least 10 mm (0.4") between the armrest and the control panel.

- 🔧 Torque wrench
- 🔧 Allen key 5 mm

1. Loosen the screws **A** enough to slide the panel holder.

2. Adjust the panel to the preferred position.
3. Torque the screws to 9.8 Nm (7.2 lb-ft).

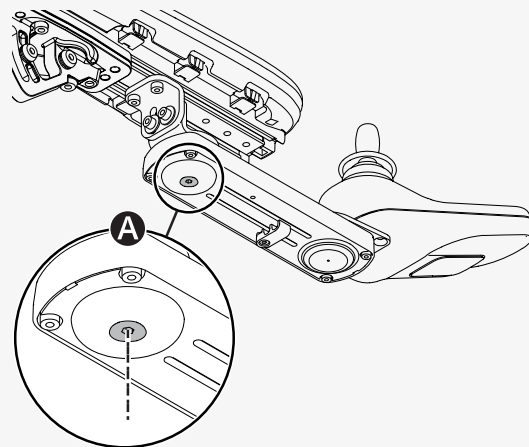
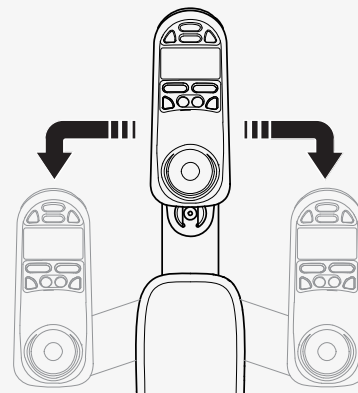


This is how you adjust the angle of the control panel.

🔑 Allen key 4 mm

Slide the panel to the preferred position. You can loosen or tighten the screw

Ⓐ to adjust the resistance.

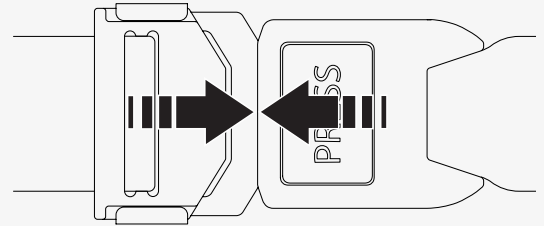
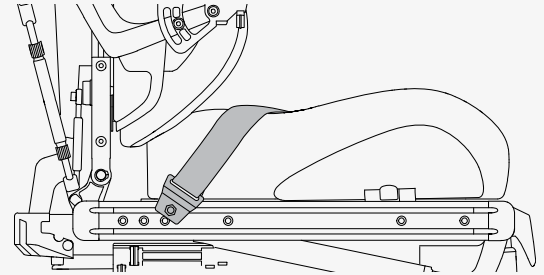


4.11.13 Positioning belt

Always wear your positioning belt. There is an accessory rail on each side of the seat frame, for example, for attaching a positioning belt.

🔧 Spanner 10 mm

1. Screw the positioning belt in place in the rail's upper groove.
2. Make sure that the belt buckle locks properly in the snap lock.



5 Maintenance

For the wheelchair to work well, it is important that you use it correctly and maintain it regularly. A well maintained wheelchair lasts longer and has a lower risk of defects. Only carry out maintenance and minor adjustments that are specified in the user manual. All other maintenance, service and repairs must be carried out by a qualified service technician authorised by Permobil.

5.1 Maintenance and inspection schedule

Permobil recommends compliance with the following maintenance and inspection schedule. Contact your authorised dealer for all service-related needs or questions.

Maintenance and inspection schedule	Daily	Weekly	Monthly	Yearly
Check battery level indicator and charge the wheelchair if necessary.	×			
Make sure that the joystick panel and other control panels are not damaged.	×			
Make sure that all removable parts are securely fastened.	×			
Check positioning belts for wear and make sure buckles work.	×			
If the wheelchair is equipped with pneumatic tyres, check the tyres and inflate as necessary.		×		
If the wheelchair is equipped with lights and indicators, make sure that they are operational and clean.		×		
Clean the wheelchair and upholstery.			×	
Check upholstery, seating, and postural supports for wear.			×	
Check that the freewheel mode and the freewheel lever work properly.			×	
Complete inspection, safety check , and service performed by an authorised wheelchair dealer.				×

5.2 Cleaning

Regular care and maintenance will prevent unnecessary wear and damage to your Permobil product. Turn off the power before you clean the wheelchair.

5.2.1 Metal surfaces

Due to the high quality powder coating, optimum corrosion protection is guaranteed. Ideally, use a soft cloth or sponge, hot water, and a mild detergent for normal cleaning. Wipe down carefully with a cloth and water, and dry off.

Remove scuff marks from semi-matt surfaces using soft wax. Follow the instructions provided by the manufacturer of the soft wax.

Remove scuff marks and scratches from shiny surfaces with car polish. You can use either liquid or paste car polish. After you have polished, apply soft car wax to restore the original surface gloss.

5.2.2 Plastics

For normal cleaning, wash plastic surfaces with a soft cloth, mild detergent, and hot water. Rinse thoroughly and dry with a soft cloth. Do not use solvents or abrasive kitchen cleaners.

5.2.3 Upholstery, cloth, and vinyl

For normal cleaning, wash the upholstery with lukewarm water and a mild, non-abrasive soap. Use a soft cloth or brush. Wipe off any water or soapy water residues with a clean, dry cloth. Let the surface dry. Repeat this procedure to remove stubborn dirt or stains. Ink spots can sometimes be removed with soap and water followed by isopropyl alcohol.

Do not use any other cleaning methods than those listed here. Other cleaning methods may attack and degrade the vinyl and may also void the wheelchair's guarantee.

If necessary, you can remove the cover before cleaning. See also the washing instructions on the upholstery materials.

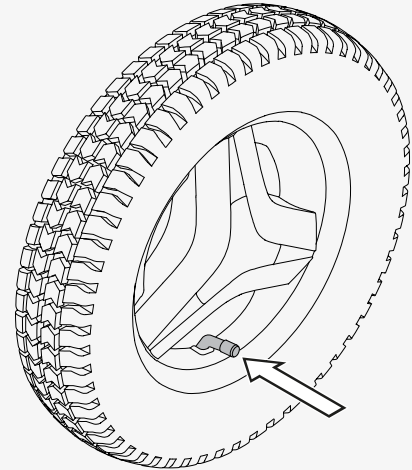
5.3 Inflating the drive wheel tyres

Only drive the wheelchair with the correct tyre pressure. The tyre pressure for the drive wheel tyres is 250 kPa (35 psi). Permobil recommends that you check the tyre pressure weekly and after any significant change in temperature or altitude.

Incorrect tyre pressure may make the wheelchair unstable and difficult to drive. It may also result in abnormal wear, punctures, a shorter driving range, and damage to the wheel assembly.

This is how you inflate the drive wheel tyres.

1. Unscrew and remove the valve cap from the tyre air valve.
2. Connect the compressed air nozzle to the valve and adjust the tyre pressure to the prescribed level.
3. Put the valve cap back.

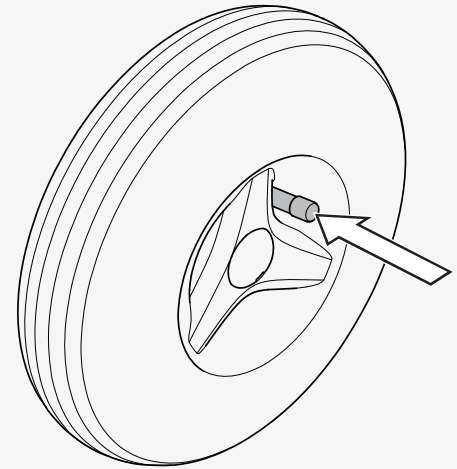


5.4 Inflating the castor wheel tyres

Permobil recommends that you check the tyre pressure weekly and after any significant change in temperature or altitude. Incorrect tyre pressure may make the wheelchair unstable and difficult to drive. It can also result in abnormal wear, a shorter driving range, and damage to the wheel assembly. The tyre pressure for the castor wheel tyres is 250 kPa (35 psi).

This is how you inflate the castor wheel tyres. You need the valve adapter from the wheelchair's tool bag.

1. Unscrew and remove the valve cap from the tyre valve.
2. Attach the valve adapter to the tyre valve.
3. Connect the compressed air nozzle to the valve and adjust the tyre pressure to the correct level.
4. Put the valve adapter back into the tool bag and put the valve cap back.



5.5 Positioning belt

Check the condition of the positioning belt regularly in case any damage or wear has occurred. If signs of damage or wear appear, replace the positioning belt immediately through your Permobil dealer.

6 Restrictions and limitations

This chapter contains information about support wheels and seat depth.

The need for support wheels is based on seat depth, maximum speed, and user weight. If your wheelchair is not fitted with support wheels and your weight increases to more than 100 kg (220 lb), support wheels must be installed. Contact your service technician.

Users weighing more than 110 kg (240 lb) must have a seat depth of 445 mm (17") or more. If your wheelchair has a seat depth of less than 445 mm (17") and your weight increases to more than 110 kg (240 lb), contact your service technician.

7 Troubleshooting

The following troubleshooting guide describes a number of faults and events that can occur when you use the wheelchair, together with suggested remedies.

Note that the guide cannot describe all the problems and events which may occur and you should always contact your service provider or Permobil technical support if you need additional assistance. Troubleshooting and repairs of electronics must always be performed by qualified personnel with good knowledge of the wheelchair's electronics.

Event	Possible cause	Remedy
The wheelchair does not start.	The batteries are discharged.	Charge the batteries.
	The cable connection to the control panel has come loose.	Insert the cable in the control panel.
	The main circuit breaker is turned off.	Turn on the main circuit breaker. See page 39.
	The main circuit breaker has tripped.	Reset the main circuit breaker once. See page 39.
The wheelchair cannot be charged.	The main circuit breaker is turned off.	Turn on the main circuit breaker. See page 39.
	The charging circuit breaker has tripped.	Wait five minutes. The charging circuit breaker will automatically reset.

Event	Possible cause	Remedy
The wheelchair cannot be driven.	The battery charger is connected.	Disconnect the battery charger.
	The wheelchair is in freewheel mode.	Exit freewheel mode and restart the wheelchair.
	The wheelchair is locked.	Unlock the wheelchair.
	A seat function has triggered the automatic drive inhibit.	Make sure that the backrest and the leg support are not tilted and that the seat is not tilted or lifted.
	The motors have become too warm.	Turn off the wheelchair and wait for the motors to cool down.
The wheelchair switches itself off after a certain period of inactivity (20–30 minutes).	The energy saving mode has been activated.	Press the start button on the control panel to turn on the wheelchair again.
The wheelchair stops while being driven.	The main circuit breaker has tripped.	Reset the main circuit breaker once. See page 39.
The wheelchair can only be driven at reduced speed.	A seat function has triggered the automatic speed restriction.	Make sure that the backrest and the leg rest are not tilted and that the seat is not tilted or lifted.

8 General information

This chapter contains information about warranty, standards and regulations, reporting incidents, scrapping and recycling, and technical specifications.

8.1 Guarantee

All power wheelchairs are supplied with a two-year product guarantee.

Batteries and chargers are supplied with a one-year guarantee.

Product Guarantee Information sets forth the conditions of the guarantee. For further information about applicable guarantees, see <https://permobilus.com/support/warranties/>.

8.2 Standards and regulations

This product fulfils the following requirements:

- Electrically powered wheelchairs, scooters and their chargers – Requirements and test methods (EN 12184)
- Wheelchair standard series ISO 7176
- U.S. Food and Drug Administration's regulation 21 CFR 820
- Medical Device Regulation (EU) 2017/745

8.3 Reporting incidents

If a serious incident occurs, you must contact a competent authority or Permobil by phone or email.

8.4 Disposal and recycling

Contact Permobil for information about disposal agreements in force.

8.5 EU declaration of conformity

Permobil hereby declares that the radio equipment type Power Platform is in compliance with Directive 2014/53/EU. The full text of the EU declaration of conformity is available at the following internet address:

https://legal.permobil.com/declaration-of-conformity/F5_Corpus.pdf

8.6 Technical specifications

Mass of the heaviest part	Backrest 7.5 kg (16.5 lb.)
Pivot width	1200 mm (47")
Minimum turning diameter	1490 mm (59")
Required width of angled corridor	860 mm (34")
Required doorway entry depth	1330 mm (52")
Required corridor width for side opening	900 mm (35")
Ground clearance	80 mm (3")
Ability to negotiate obstacles (approach distance 0 cm [0"])	65 mm (2.5")
Ability to negotiate obstacles (approach distance 50 cm [20"])	75 mm (3")
Battery cycle life	450 cycles
Battery type and nominal voltage	Sealed lead acid, 2 x 12 V, group 24
Occupant mass group	III
Maximum speed (forwards on horizontal)	12 km/h (7.5 mph)
Theoretical continuous driving range ¹	30 km (18 mi)

1. Actual driving range will vary based on driving conditions, battery conditions, and terrain.

How to contact your production unit

Timrå, Sweden



PU TIM

Permobil AB

Per Uddéns väg 20

SE 861 36 Timrå

Sweden



+46 60 59 59 00



+46 60 57 52 50



info@permobil.com



www.permobil.com

Nashville, USA



PU NAS

Permobil Inc.

300 Duke Drive

Lebanon, TN 37090

USA



+1 800 736 0925



+1 800 231 3256








support@permobil.com









www.permobil.com

How to contact your local office

Hungary, South Africa, Turkey

-  Permobil AB
Per Uddéns väg 20
SE 861 36 Timrå
Sweden
-  +46 60 59 59 00
-  info@permobil.com
-  www.permobil.com
-  PU TIM

Ireland and United Kingdom

-  Permobil Ltd.
Unit 7, Polaris Centre, 41 Brownfields
Welwyn Garden City, Herts, AL7 1AN
United Kingdom
-  +44 1484 722 888
-  +44 1484 723 013
-  info@permobil.uk
-  www.permobil.com
-  PU TIM

Hong Kong and Taiwan

 Permobil
No.128 Tian Mu Road West/
上海市静安区天目西路128号
Shanghai
China


 +86 4000 178 179


 info.apac@permobil.com


 www.permobil.com


 PU TIM


India, Malaysia, Singapore, Thailand

 Permobil
8 Viewbrook Close
Seven Hills, NSW, 2147
Australia

 +61 1300 845 483

 info.apac@permobil.com

 www.permobil.com

 PU TIM

Dealer's address and telephone number

permobil

340035 eng-UK



www.permobil.com