

SPARE PART INSTRUCTION

CHAPTER

6.1

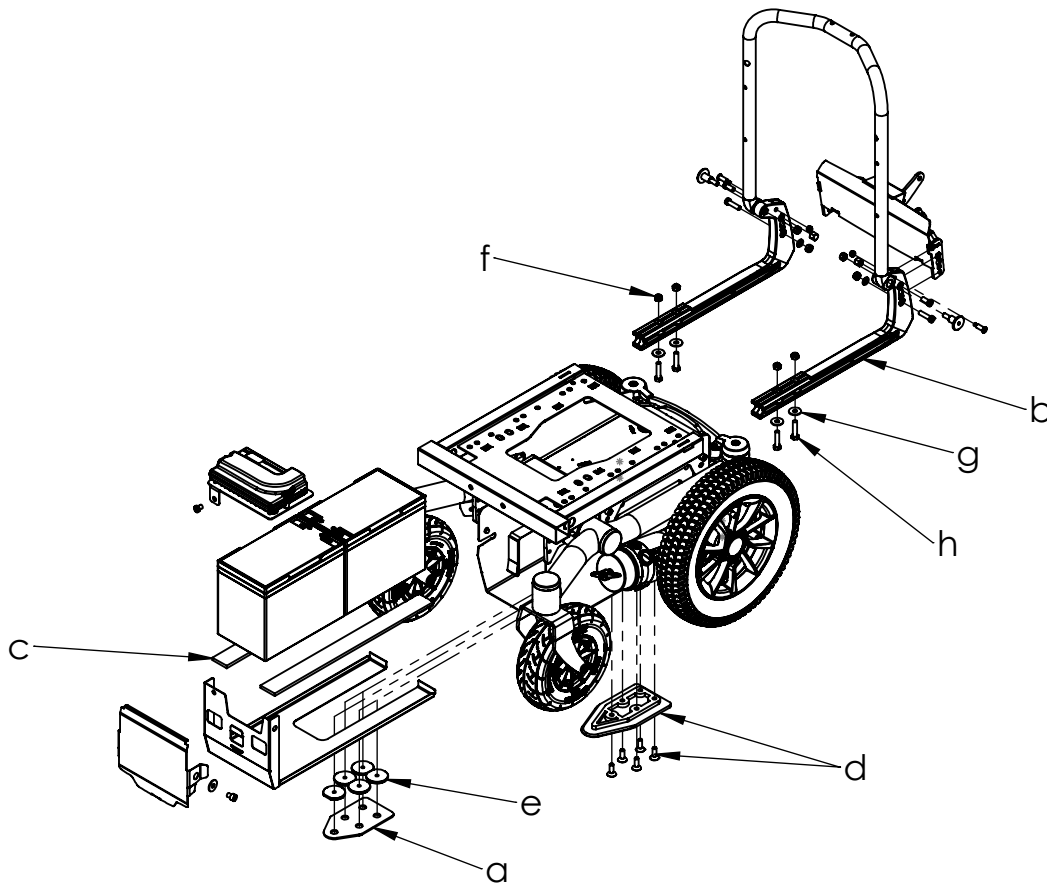
ITEM NO

5001168

DESCRIPTION

Advanced Dahl car docking

M8 = 18Nm
 M6 = 10Nm
 M5 = 6Nm
 M4 = 4Nm



ITEM NO	DESCRIPTION	a	b	c				
5001168	Advanced Dahl car docking preparation, including lock plate	support plate (1x)	slider (2x)	spacer (2x)				
		d	e	f	g	h		
		lock plate (1x)	shoulder nut (5x)	locking nut M8 (6x)	washer M8 (4x)	M8 x 35 (4x)		

