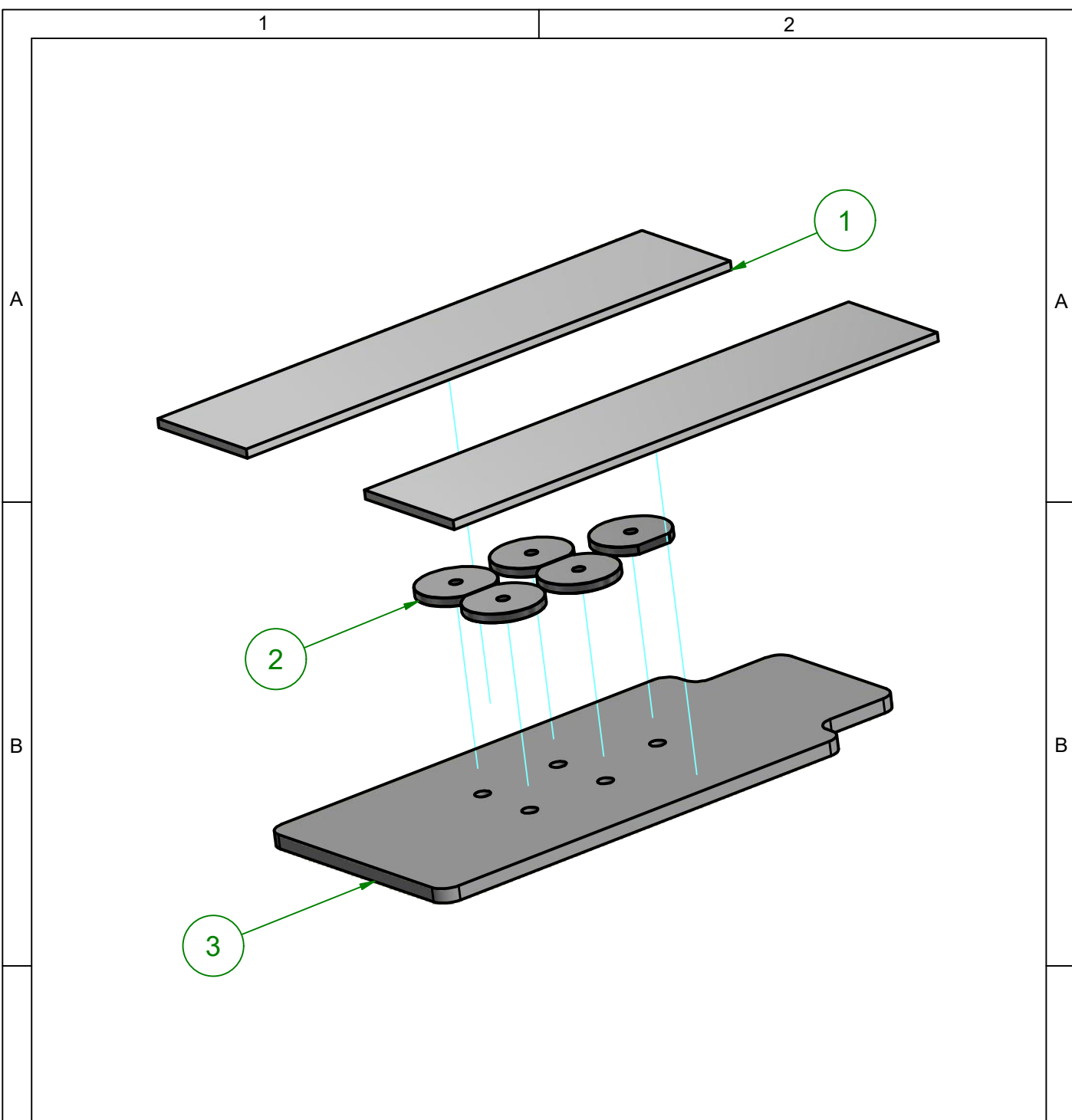


COPYRIGHT © THIS DRAWING REMAINS THE PROPERTY OF DAHL ENGINEERING. Copying, submitting to third parties or use for any purpose other than that originally intended is prohibited without previous written consent of DAHL ENGINEERING



Item	Qty	Drawing no	Description3	Rev no
1	2	501758	Spacer 320x75x5	02
2	5	500759	Nut Special M8	01
3	1	500050	Spacer 8 mm	00

✓	Dimension	Material:	List of spare parts:	Weight: 0 kg
	Chamfer:	Surface treatment:	Measures without tol.: DS/EN 22768-M	
Latest correction:			Replaced by:	Replaces:

	Date:	11-06-2021	<h2 style="text-align: center;">Sunrise Q300M Mini Sunrise Salsa M2 Mini</h2>
	Issuer:	LJ	
Title:			
Adaptionssæt til DAHL Docking Station			
Adaptionssæt für DAHL Docking Station			
Adaptionssæt for DAHL Docking Station			
Scale:	Drawing no.:	Rev no.:	
	500094	00	