

MOUNTING DESCRIPTION

Netti Mobile D1

Dahl docking lock plate

Enable joy of life

NETTI MOBILE D1 DAHL DOCKING LOCK PLATE

INSTALLATION OF LOCK PLATE
IS TO BE PERFORMED BY
AUTHORIZED TECHNICIAN.

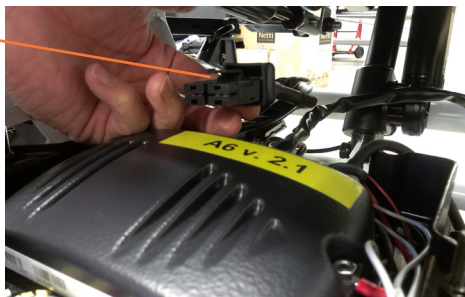


To install the Dahl docking lock plate at Netti Mobile D1 you need to remove the battery box:

1. Make sure all power is turned off.
2. Remove the cushions and remove the bolt holding the chair back, to fold it forwards and get easier access to the battery box.
3. Remove the lid of the electronic box by unscrewing the 2 red wheels on top of the lid.



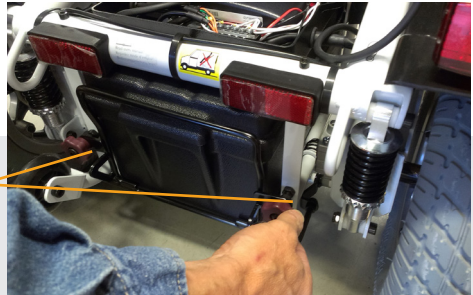
4. Unplug the cable connecting the battery box to the power module.



5. Turn the anti-tippers sideways.



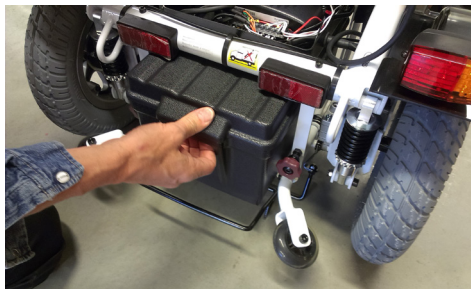
6. Unscrew the 2 red wheels holding the battery box locking.



7. Fold down the battery box lock.

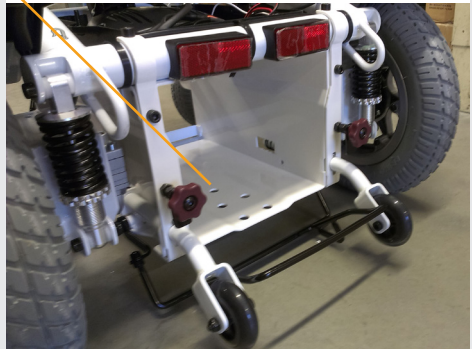


8. Pull out the battery box. Make sure the battery cable you loosened before, is folded free from the wheel chair frame while you are pulling the box.

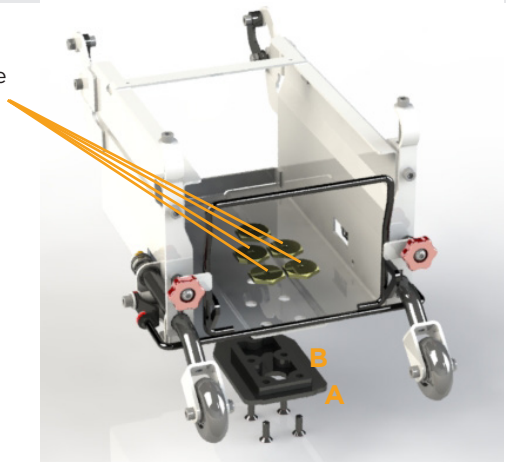




9. In the bottom of the battery box holder, 5 holes are exposed. This is where the flat nuts are to be installed, fixing the Dahl docking lock plate underneath the battery box holder.



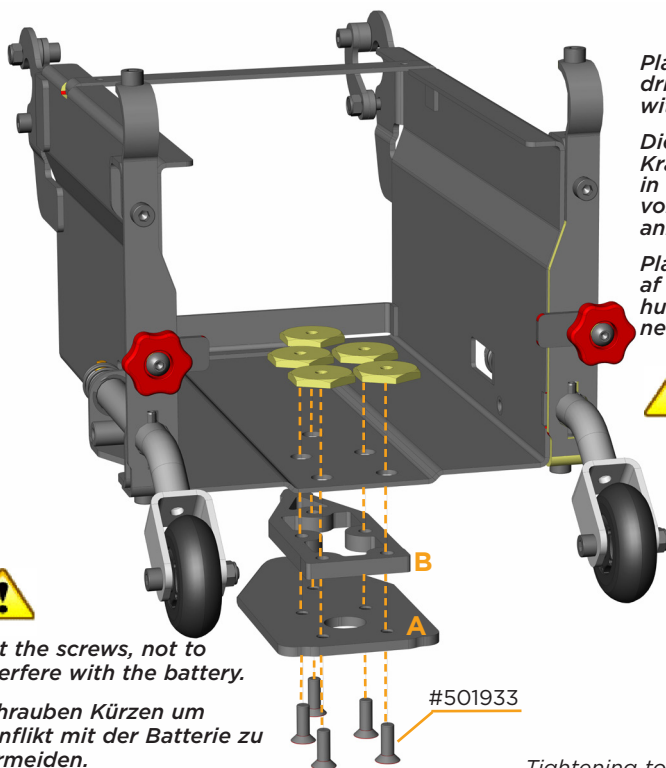
10. Fix the Adaptation kit for Dahl docking Station 3mm - 501822 - (5 flat nuts) to the Dahl docking plate as shown in the illustration.



Lock plate A and spacer B (Supplied with Docking Station)

Verriegelungsplatte A und Distanzscheibe B (Werden mit der Docking Station geliefert)

Låseplate A og afstandsplate B (Leveres med Docking Station)



Cut the screws, not to interfere with the battery.

Schrauben Kürzen um Konflikt mit der Batterie zu vermeiden.

Kutt skruerne slik at det ikke blir konflikt med batteriet.



Secure screws with Loctite 243

Schrauben mit Loctite 243 sichern

Anvend Loctite 243 eller lignende til sikring af skruer.

Place nuts in holes pre drilled by Alu Rehab with recess down.

Die Muttern mit dem Kragen nach unten, in die von Alu Rehab vorgebohrten Löcher anbringen.

Placer møtrikkerne i de af Alu Rehab forborede huller med recessen nedad.



Do not use any other than the special screws #501933 that are supplied with docking station from Dahl Engineering. Standard screws will not be strong enough for fastening the lock plate.

Tightening torque for bolt & nuts:

Anzugsmomente für Schrauben & Muttern:

Tilspændingsmoment for bolte & møtrikker:

Minimum in Nm M8 - 20 Nm

Maximum in Nm M8 - 25 Nm

11. Install the battery box.
12. Reconnect the power cable to the plug in the electronic box, and close the lid.

For installing the battery box again - follow this instruction from paragraph 7 in the revised order and revised actions.

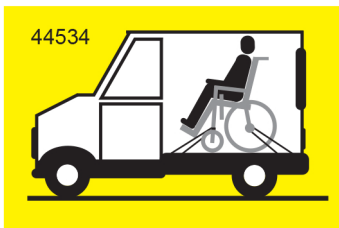
Make sure all screws are well tightened and all cables connected, the battery box lock well fixed and the anti-tippers folded down before making a test run.

Netti Mobile D1

is a class B powered wheelchair rated for indoor and outdoor use. The chair itself is tested to DIN/EN 12184:2009 by TÜV Süd GmbH in Germany.

Netti Mobile D1 with Netti Seating System is crash tested and approved according to ISO 7176-19:2008 at Dahl engineering test laboratory in Denmark for

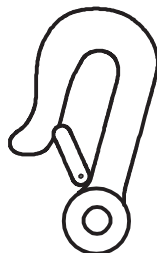
max user weight of 136kg.



Netti Mobile D1 has also wheelchair securement points on the frame - suitable for 4 point Tie down Restrain system conforming to ISO 10542 or SAE J2249 with non adjustable front straps and adjustable rear straps.

Netti Mobile is tested and approved for use as a seat in a vehicle according to ISO 7176-19:2008 with this tie down belt system as well.

The securement points are marked with hook signs:



RESPONSIBILITY BY RECONFIGURING AND RECONSTRUCTION



If Netti Mobile is reconfigured with a seating unit other than Netti Seating System, or other reconstructions and alterations - other than with Netti approved items and combinations - a risk evaluation of the safe use of the new configured wheelchair is to be performed by the installer of the new items. The product responsibility and the risk accept for using the new configured Netti Mobile as a seat in a vehicle is carried by the installer of the new items.

PRODUCT RESPONSIBILITY

Netti Mobile with different configurations of Netti equipment has been tested / risk evaluated by Alu Rehab.

Any alterations or substitutions must not be made to the wheelchair securement points or to structural and frame parts without consulting the wheelchair manufacturer Alu Rehab.

Alterations of Netti components or substitutions of components from third part suppliers to Netti Mobile requires the risk evaluation and acceptance of the product responsibility and safety for use of the wheelchair from the manufacturer that is performing the substitution or alteration.

SPECIAL ADJUSTMENT / ADAPTATIONS BY THIRD PART

Special adjustments/adaptations are defined as all adjustments that are not included in the main user manual for Netti Mobile.

Wheelchairs that are especially adjusted/ adapted by the customer can not keep the CE mark given by Alu Rehab A.S Norway. If customer adaptations is done, the warranty given by Alu Rehab A.S Norway will not be valid.

If any uncertainty about special fitting and adaptations, please contact Alu Rehab A.S.

FOR DETAILED INSTRUCTIONS FOR USE, MAINTENANCE AND GUARANTEE CONDITIONS, PLEASE STUDY:

- THE USER MANUAL FOR NETTI MOBILE UM0061
- THE USER MANUAL FOR NETTI MOBILE D1 WITH DAHL DOCKING SYSTEM UM0118

The latest updates for user manuals and mounting descriptions are also found on our homepage www.My-Netti.com

IN DIALOGUE WE CREATE
SIMPLE SOLUTIONS AND
ENABLE JOY OF LIFE



This product conforms to
93/42/EEC for medical products.

MD0113 UK
2016-05

FEEL FREE TO CONTACT US:



Alu Rehab AS
Bedriftsvegen 23
4353 Klepp Stasjon
NORWAY

T: +47 51 78 62 20
post@My-Netti.com

Alu Rehab ApS
Kløftehøj 8
DK-8680 Ry

T: +45 87 88 73 00
F: +45 87 88 73 19
info@My-Netti.com

My-Netti.com