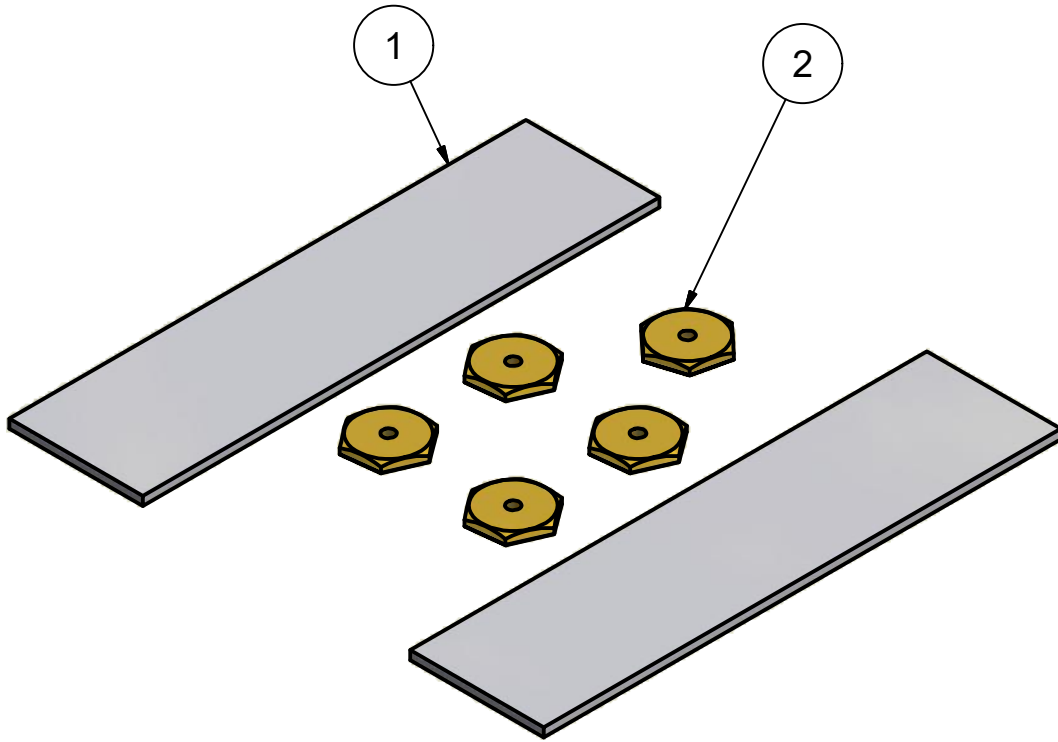


Item	Qty	Drawing no	Description	Rev no
1	2	503260	Spacer	00
2	5	500759	Nut	00



COPYRIGHT © THIS DRAWING REMAINS THE PROPERTY OF DAHL ENGINEERING. Copying, submitting to third parties or use for any purpose other than that originally intended is prohibited without previous written consent of DAHL ENGINEERING

✓	Dimension	Material:	List of spare parts:	Weight: 0 kg
	Chamfer:	Surface treatment:	Measures without tol.: DS/EN 22768-M	
Latest correction:			Replaced by:	Replaces:

DAHL
ENGINEERING

Date: 24-01-2018
Issuer: JH

For:

OTTO BOCK JUVO B5/B6 FWD
OTTO BOCK JUVO B5/B6 RWD

Title:
Adaptation kit for DAHL Docking Station
Adaptionsset für DAHL Docking Station
Adaptionssæt til DAHL Docking Station

Scale:	Drawing no.: 503261	Rev no.: 00
--------	---------------------	-------------