

1		2		
Item	Qty	Drawing no	Description	Rev no
1	5	502211	Nut for 5 mm.	00
2	1	503345	Spacer 3 mm.	00
3	1	503344	Spacer 3 mm.	00

A

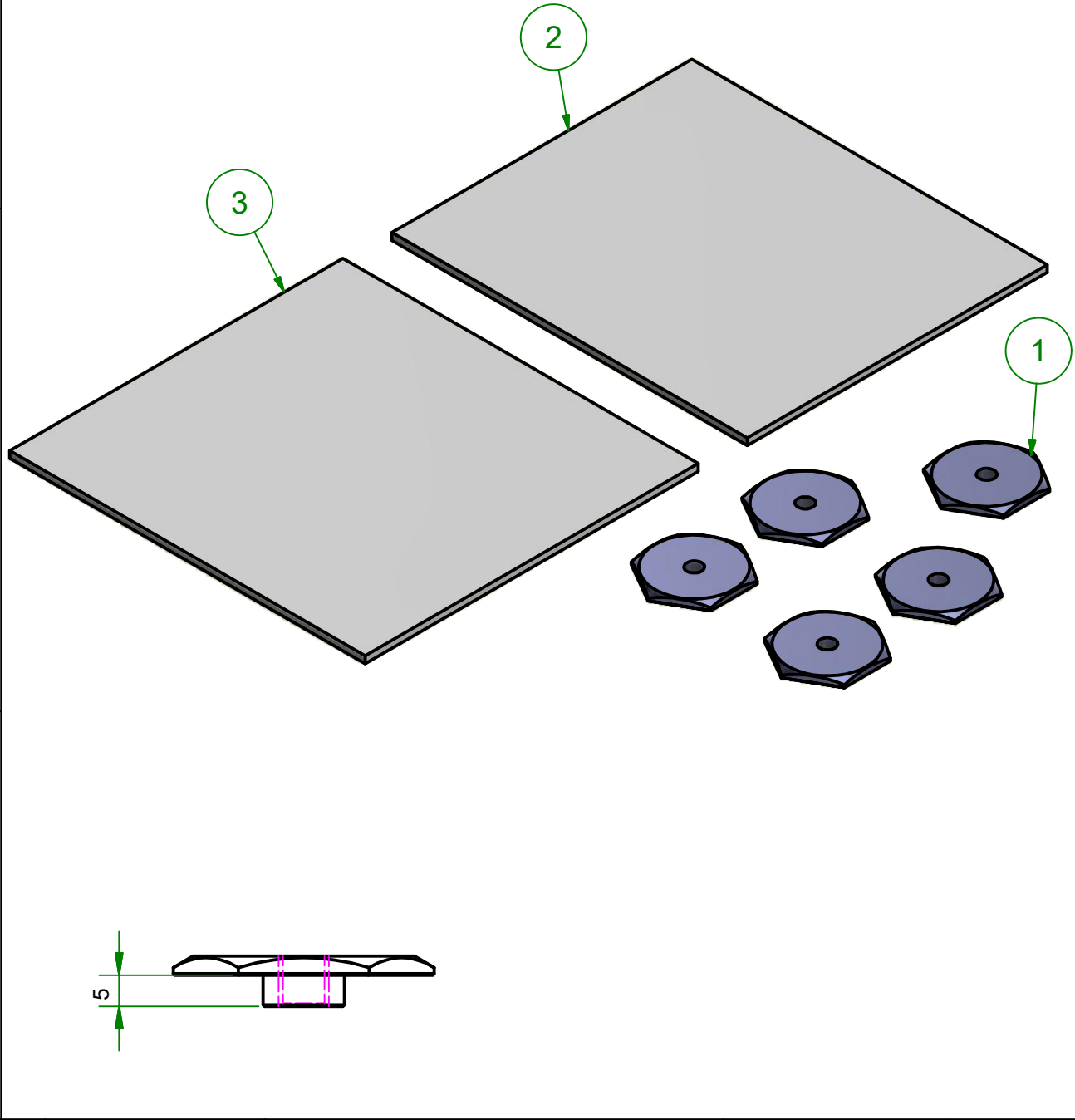
A

B

B

C

C



COPYRIGHT © THIS DRAWING REMAINS THE PROPERTY OF DAHL ENGINEERING
 Copying, submitting to third parties or use for any purpose other than that originally intended is prohibited without previous written consent of DAHL ENGINEERING

✓	Dimension	Material:	List of spare parts:	Weight: 0 kg
	Chamfer:	Surface treatment:	Measures without tol.: DS/EN 22768-M	
Latest correction:			Replaced by:	Replaces:

	Date:	12-06-2018	<p style="text-align: center;">For: NEATECH EVO 1</p>	
	Issuer:	JH		
Title: Adaptation kit for DAHL Docking Station 5mm. Adaptionssæt für DAHL Docking Station 5mm. Adaptionssæt til DAHL Docking Station 5mm.		Scale:	Drawing no:	Rev no.:
		503340	00	