

## Docking Locking set

Model: 1.612 - 352

Model: 1.612 - 27

# Assembly instructions

## MEANING OF THE APPLIED MARKERS

Safety instructions with a coloured background are mandatory and need to be observed under any circumstance!

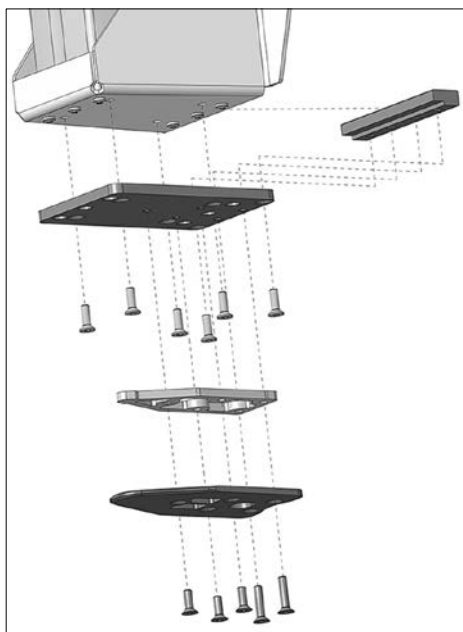
- ☞ This symbol indicates tips and recommendations
- [ ] Reference to a picture number
- ( ) Reference to a function element within a picture.

## INTRODUCTION

Read and observe this manual before first operation. Children and adolescents should read this document if necessary together with their parents or a supervisor or accompanying person before first use.

The user manual at hand should help you to get accustomed with the handling of the product.

This product is a technical aid. It is subject to explanations, requires regular care and can cause danger when used improperly. The correct handling must therefore be learned.



Users with visual impairments can find the PDF-files together with further information on our website:

< [www.meyra.com](http://www.meyra.com) >.

- ☞ Contact your specialist dealer when required.

Information about product safety and possible recalls of our products can be found in the < *Information center* > on our website: < [www.meyra.com](http://www.meyra.com) >.

The product fulfils the requirements of ISO 7176-19.

## ***LIST OF MODELS***

This assembly and user manual is only valid for the following model options:

Model 1.612 - 352

Model 1.612 - 27

## ***USE***

The Dahl Engineering docking locking set is solely to be used together with vehicle that features a professionally mounted Dahl Engineering < [www.dahlengineering.dk](http://www.dahlengineering.dk) > locking unit.

This product serves for automatic locking down of a wheelchair during the transport of people inside a motor vehicle.

## ***ACCEPTANCE***

All products are checked by us for faults and packed in special boxes.

- ☞ However, we ask you to check the product for possible transport damage as soon as you receive it preferably in the presence of the carrier.
- ☞ The packaging of the product should be stored for a further transport that might become necessary.

## ***LIFE SPAN***

We estimate an average life span for this product of about 5 years, as far as the product is used within its scope of intended application. In case of an accident of the transport vehicle during use, the product has to be replaced.

The life span of your product depends upon the frequency of use, the application environment and care.

- ☞ The indicated lifespan does not constitute additional guarantee.

## ***SCOPE OF DELIVERY***

Docking Locking set:

### **Scope of delivery Dahl**

(as part of the attachment inside a motor vehicle)

- (1) 1x Locking plate
- (2) 1x Distance washer
- (3) 3x Counter sunk screw
- (4) 2x Counter sunk screw long

### **Scope of delivery Meyra**

- (5) 6x Countersunk screw M8 x 25
- (6) 1x Attachment plate  
(only on Code 352, without Lift)
- (7) 1x Adapter plate
- (8) 1x Clamping block
- 1x Assembly and user manual

# ASSEMBLY INSTRUCTIONS

Execution of the following assembly is to be done by a professionally qualified person.

More detailed information to the assembly advice of the docking-station can be found on the website:

< [www.dahlengineering.dk](http://www.dahlengineering.dk) >.

## Safety information

For assembly, the electric wheelchair is to be switched off and secured against unintentional rolling movements.

The main-/battery fuse is to be removed before assembly.

Watch for jamming areas during the complete assembly. – Danger of jamming!

Keep the working area clean during the assembly!

Only use the supplied special countersunk screws for assembly.

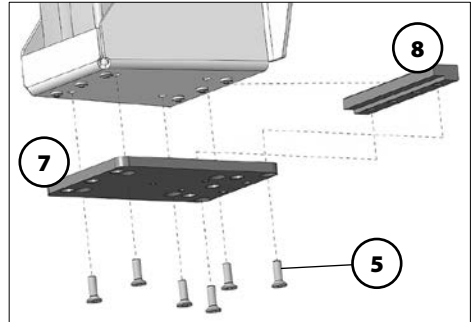
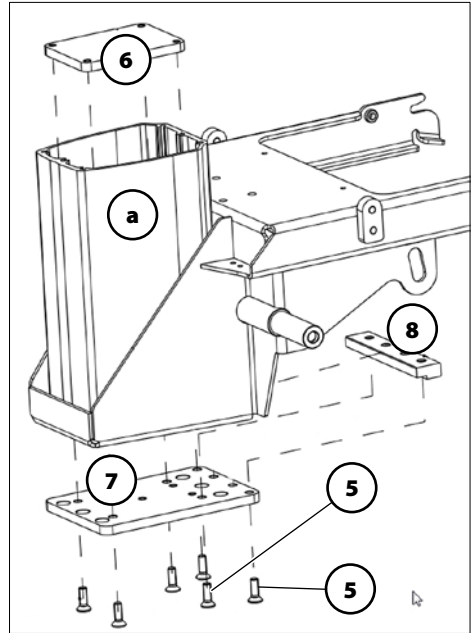
Secure the countersunk screws with Loctite 222.

Observe 20 - 25 Nm torque!

## Code 352, without Lift

### Mounting the adapter plate

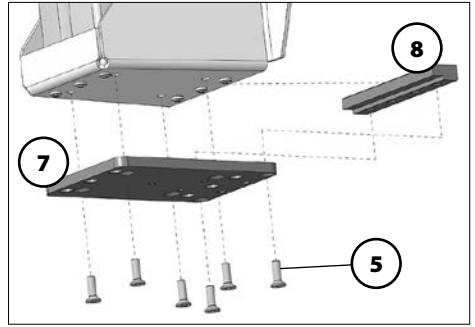
1. For assembly of the adapter plate (7) insert the attachment plate (6) into the profile tube (a).
2. Connect the adapter plate (7) and the attachment plate (6) with 4x countersunk screws (5).
3. Place the clamping block (8) onto the adapter plate (7) and fasten with 2x countersunk screws (5).



## Code 27, with Lift


### Mounting the adapter plate

1. Screw the adapter plate (7) with 4x countersunk screws (5) underneath the bracket of the lifting cylinder.
2. Place the clamping block (8) onto the adapter plate (7) and fasten with 2x countersunk screws (5).



### Mounting the docking set

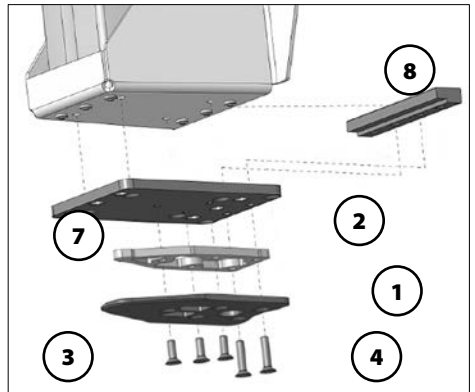
For the correct ground clearance of 70 mm, assembly is to be carried out including the actual weight of the user.

 If required a corresponding distancer (2) is to be requested from < [www.dahlengineering.dk](http://www.dahlengineering.dk) >.

Only use the supplied special counter sunk screws for assembly.

Secure the countersunk screws with Loc-tite 222.

Observe 20 - 25 Nm torque!



1. Screw the, in driving direction forward facing countersunk screws (3), with the locking plate (1) slid on and the distancer washer (2) from the bottom into the adapter plate (7).
2. Screw the two long countersunk screws (4) from the bottom into the clamping block (8).
3. Check and ensure the secure seat of the docking set in combination with the assembly within the motor vehicle.

### Re-establishing driving condition

1. Swivel down the seat unit.
2. Insert the battery fuse

# USER MANUAL

## Safety information

Watch for the little ground clearance caused by the mounted docking set.  
– Danger of accident!

☞ Therefore observe < *Technical data* on page 7 >.

For transport of handicapped people inside a motor vehicle observe document < *Sicherheit mit Meyra-Rollstühlen, auch bei der Beförderung im Kraftfahrzeug* > on our website < [www.meyra.com](http://www.meyra.com) >.

Only drive the wheelchair with a mounted docking set into a locking unit of Dahl Engineering.

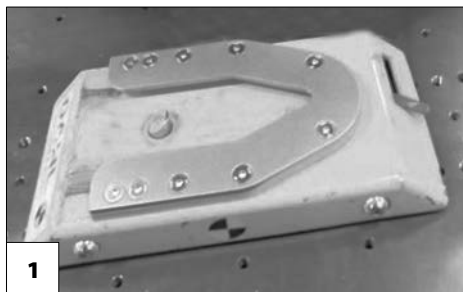
Before use make sure that the product is functional. – Danger of accident!

Do not use a loose locking plate for fastening the wheelchair. – Increased danger of accidents!

A correct locking down of the wheelchair with the docking station can only be achieved with the weight of the user.

The user must be secured with a permitted strap-retaining system.

MEYRA will not accept liability for damages caused by unattended children in combination with the product!



## Locking down the wheelchair

A control diode will light up on the operating module of the docking station when the wheelchair is locked down correctly.

Further information to the Dahl docking-station can be found on the website: < [www.dahlengineering.dk](http://www.dahlengineering.dk) >.

In order to lock the docking-station move the wheelchair straight and centred over the locking unit (1) on the floor of the motor vehicle.

☞ A warning tone sounds if the wheelchair is **not** locked down correctly and a warning light appears on the operating module of the docking-station.

## Unlocking the wheelchair

To unlock the wheelchair, first press the release key on the operating module of the docking-station, then move the wheelchair slowly backwards out of the locking unit (1) on the floor of the motor vehicle.

## Cleaning

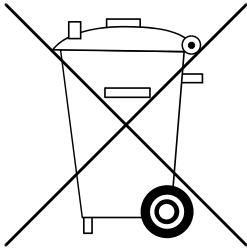
For cleaning it is recommended to use soap-solution. The detergent should in any case have a PH-value of no less than 6 (neutral cleanser).

Do not use any detergents that contain solvents.

## Repairs

Use only original spare parts. Make use of the service of your specialist dealer.

## DISPOSAL



The disposal must comply with the respective national law.

Please enquire about local disposal arrangements at your municipal authority.

## MAINTENANCE

An incorrect or neglected cleaning and maintenance of the product results in a limitation of the product liability.

### Maintenance

The following maintenance Instruction gives you a guide for carrying out the maintenance work.

- ☞ They do not give information about the actual extent of work required on the product.

## Maintenance schedule

WHEN	WHAT	REMARK
<b>After use</b>	<b>Check for extreme soiling</b> Clean if necessary	Carry out the cleaning by yourself or by an aid.
<b>Every 6 months</b> (depending on frequency of use)	<b>Check screwed connections for tight fit.</b>	Carry out the test yourself or by a helper.
<b>Manufacturer recommendation:</b> Every 12 months (depending on frequency of use)	Safety inspection	To be carried out by the specialist dealer.

## TECHNICAL DATA

### Docking-station

Perm. user weight (including additional load)	136 kg
Ground clearance	40 mm

A higher user weight indicated on the type plate of your wheelchair is limited by the permitted user weight of the docking-station.

## WARRANTY / GUARANTEE

We accept legal liability for this product within the scope of our general terms and conditions and warranty and in certain cases other verbal resp. agreed upon guarantees.

☞ Therefore observe chapter < *Warranty / Guarantee* > of the operating manual of the wheelchair.



The product conforms with the EC Directive  
93 / 42 / EEC (MDD) for medical products.

---

## **MEYRA GmbH**



Meyra-Ring 2  
D-32689 Kalletal-Kalldorf



Tel +49 5733 922 - 311  
Fax +49 5733 922 - 9311



info@meyra.de

www.meyra.de

---