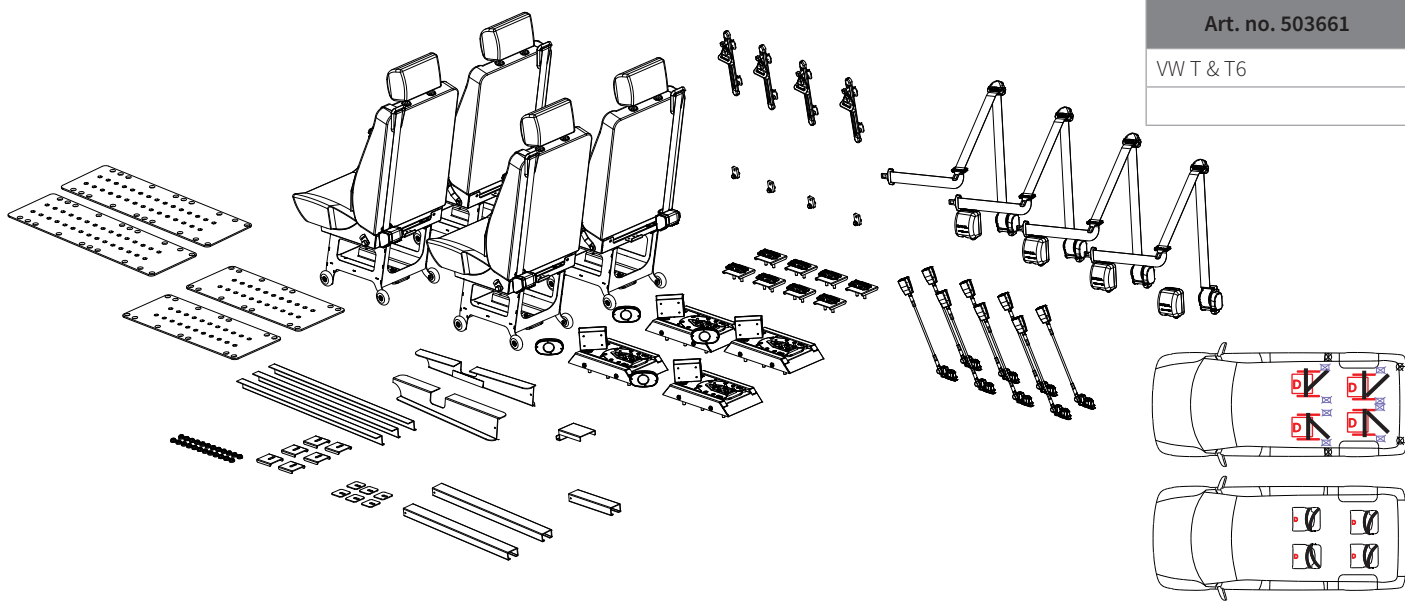
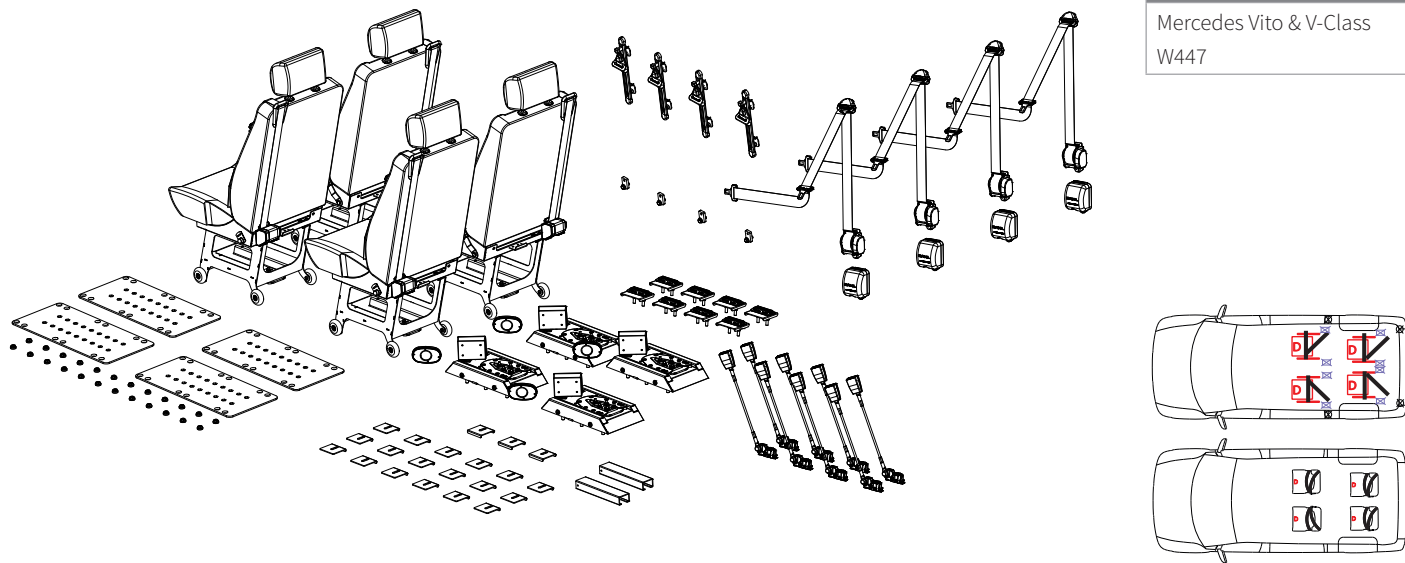


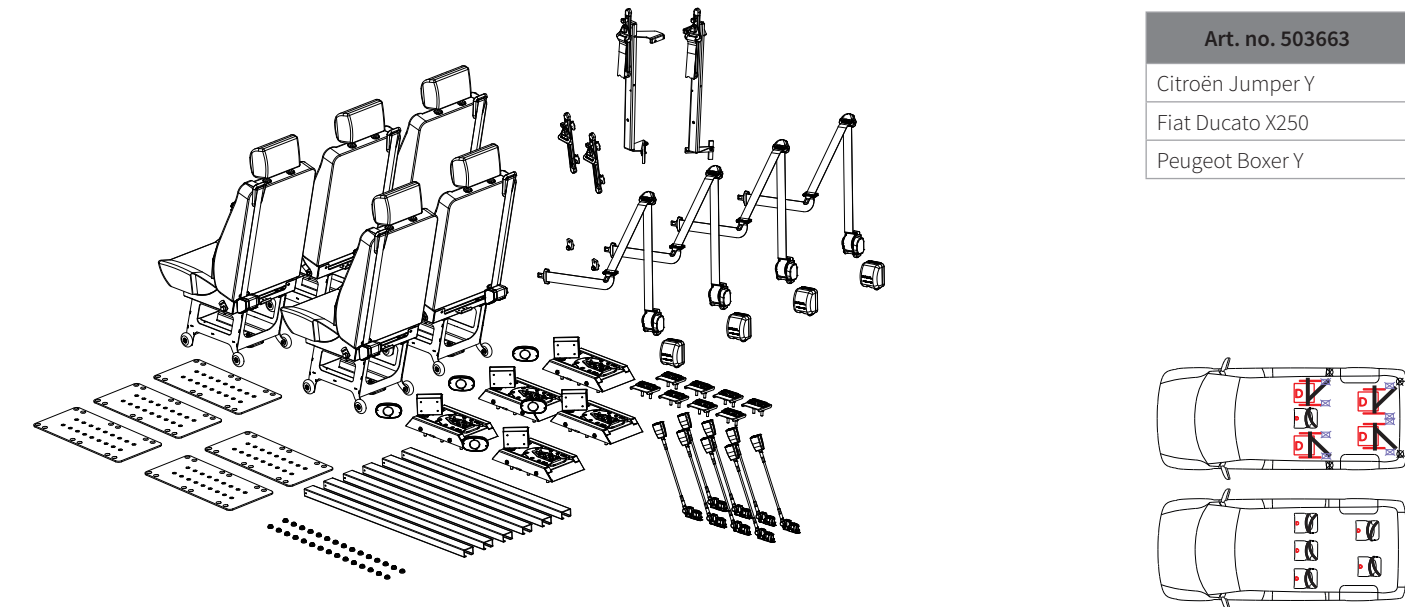
Dahl VarioDock™ System - approved kits



Art. no. 503661
VW T & T6

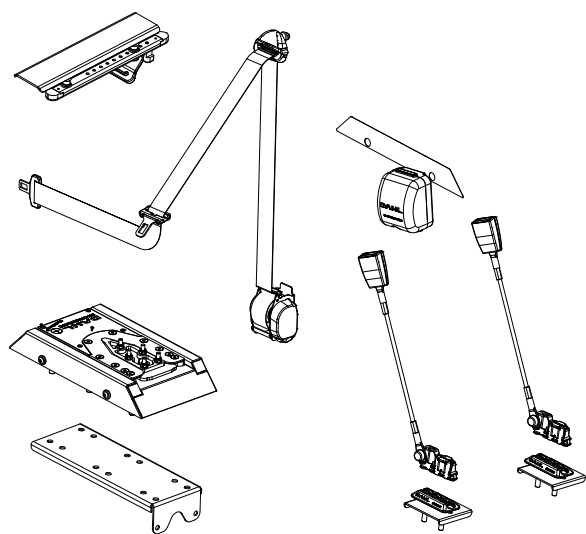


Art. no. 503662
Mercedes Vito & V-Class
W447



Art. no. 503663
Citroën Jumper Y
Fiat Ducato X250
Peugeot Boxer Y

Dahl VarioDock™ System - approved kits



Art. no. 503665

Freedom Drop Flor Conversion

Citroën Jumpy & Spacetourer KO

Peugeot Expert & Traveller KO

Toyota Proace & Proace Verso 2017-

