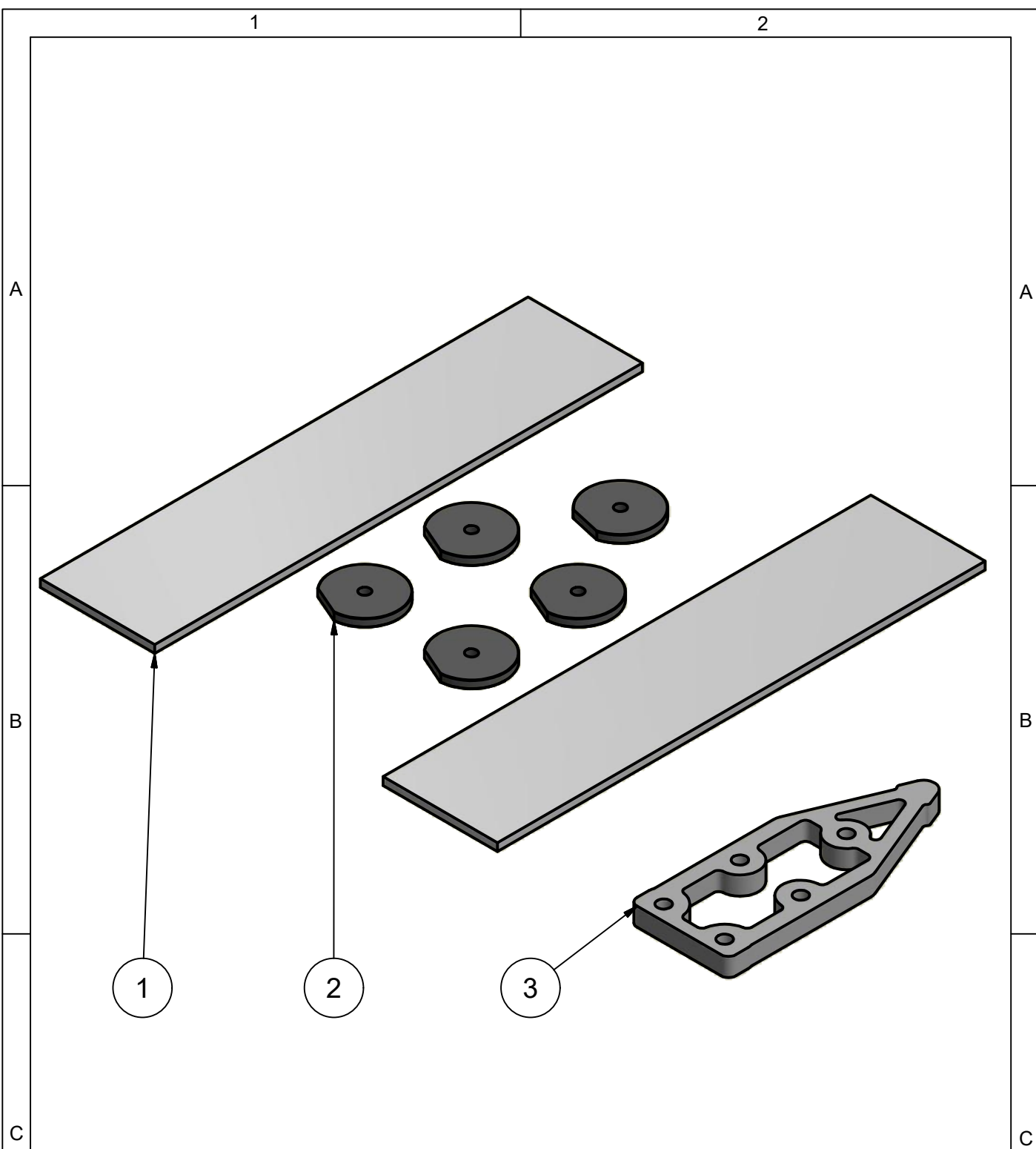


COPYRIGHT © THIS DRAWING REMAINS THE PROPERTY OF DAHL ENGINEERING. Copying, submitting to third parties or use for any purpose other than that originally intended is prohibited without previous written consent of DAHL ENGINEERING



Item	Qty	Drawing no	Description	Rev no
1	2	501758	Spacer	01
2	5	500759	Nut	01
3	1	503682	12 mm. Afstandsplade, Top	00

✓	Dimension	Material:	List of spare parts:	Weight: 0 kg
	Chamfer:	Surface treatment:	Measures without tol.: DS/EN 22768-M	
Latest correction:			Replaced by:	Replaces:

	Date:	03-10-2019	<h2>SUNRISE Q700M</h2>	
	Issuer:	MK		
Title:				
Adaptation kit for DAHL Docking Station Adaptionsset für DAHL Docking Station Adaptionssæt til DAHL Docking Station				
		Scale:	Drawing no.:	Rev no.:
			503683	00