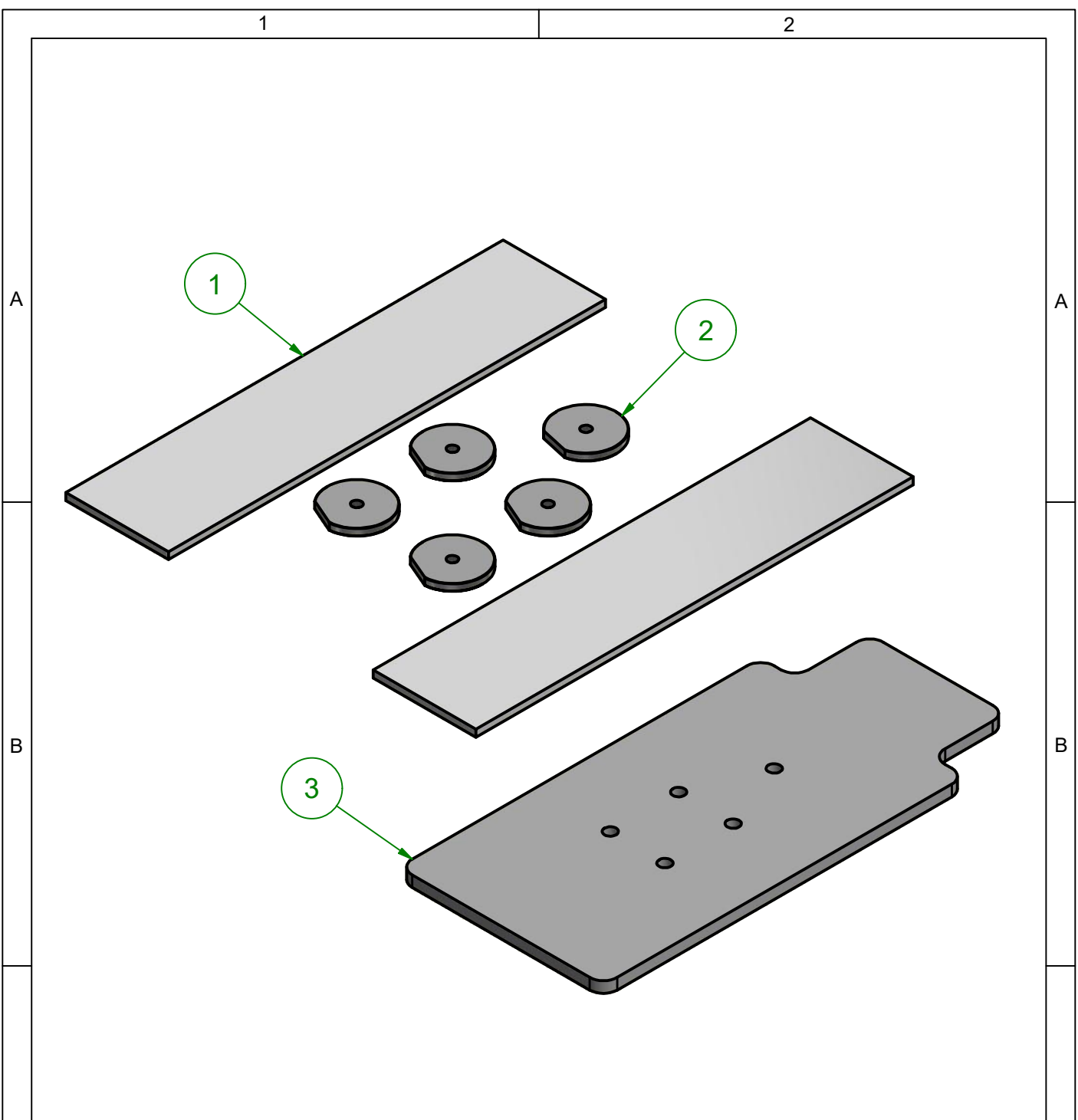



COPYRIGHT © THIS DRAWING REMAINS THE PROPERTY OF DAHL ENGINEERING  
 Copying, submitting to third parties or use for any purpose other than that originally intended is prohibited without previous written consent of DAHL ENGINEERING



Item	Qty	Drawing no	Description3	Rev no
1	2	501758	Spacer	01
2	5	500759	Nut	01
3	1	500050	Spacer 8 mm	00

✓	Dimension	Material:	List of spare parts:	Weight: 0 kg
	Chamfer:	Surface treatment:	Measures without tol.: DS/EN 22768-M	
Latest correction:			Replaced by:	Replaces:

	Date:	11-06-2021	<b>Sunrise Q300M Mini</b> <b>Sunrise Salsa M2 Mini</b>	
	Issuer:	LJ		
<b>Title:</b> Adaptation kit for DAHL Docking Station Adaptionssæt für DAHL Docking Station Adaptionssæt til DAHL Docking Station			Scale:	Drawing no.: 500094
				Rev no.: 00