


Dahl Docking Locking set

Model: 1.612 iCHAIR MC3;
Code 27, Code 352

Assembly and user manual

MEANING OF THE APPLIED MARKERS

Safety instructions with a coloured background are mandatory and need to be observed under any circumstance!

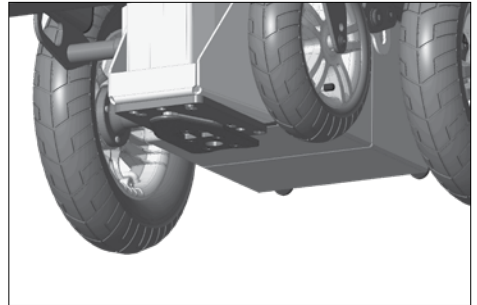
-  This symbol indicates tips and recommendations
- [] Reference to a picture number
- () Reference to a function element within a picture.

INTRODUCTION

Read and observe this manual before first operation. Children and adolescents should read this document if necessary together with their parents or a supervisor or accompanying person before first use.


The user manual at hand should help you get accustomed to the handling of your product.

This product is a technical aid. It is subject to explanations, requires regular care and can cause danger when used improperly. The correct handling must therefore be learned.



Users with visual impairments can find the PDF-files together with further information on our website:

< www.meyra.com >.

-  Contact your specialist dealer when required.

Information about product safety and possible recalls of our products can be found in the < *Information center* > on our website:

< www.meyra.com >.

The product meets the demands of ISO 7176-19.

LIST OF MODELS

This assembly and user manual is valid for the following model options:

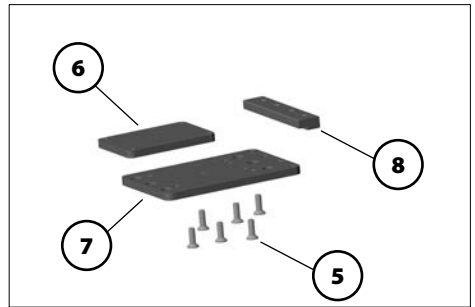
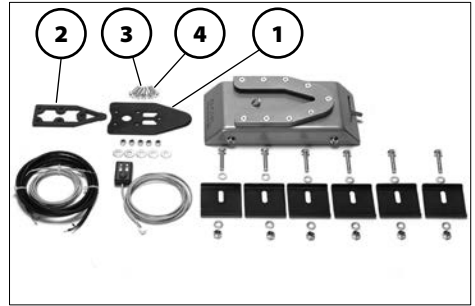
Model 1.612 - 352

Model 1.612 - 27

USE

The Dahl Engineering docking anchoring set is solely to be used together with a Dahl Engineering anchoring unit mounted expertly into a motor vehicle < www.dahlengineering.dk >.

This product serves for automatic fixation of the wheelchair during the transport of people inside a motor vehicle in combination with the Dahl Engineering docking anchoring set.



ASSEMBLY INSTRUCTIONS

Scope of delivery

Docking anchoring set:

Scope of delivery Dahl

(as component of the attachment inside the motor vehicle)

- (1) 1x Locking plate
- (2) 1x Distancer
- (3) 3x Countersunk screw
- (4) 2x Countersunk screw long

Scope of delivery Meyra

- (5) 6x Countersunk screw M8 x 25
- (6) 1x Attachment plate (only on Code 352, without Lift)
- (7) 1x Adapter plate
- (8) 1x Clamping block

- 1x Assembly and user manual

ASSEMBLY

The following assembly is to be carried out by a professionally qualified person.

Detailed information to the assembly tips of the Dahl Docking-Station inside the motor vehicle can be obtained per e-mail at: < sales@dahlengineering.dk >.

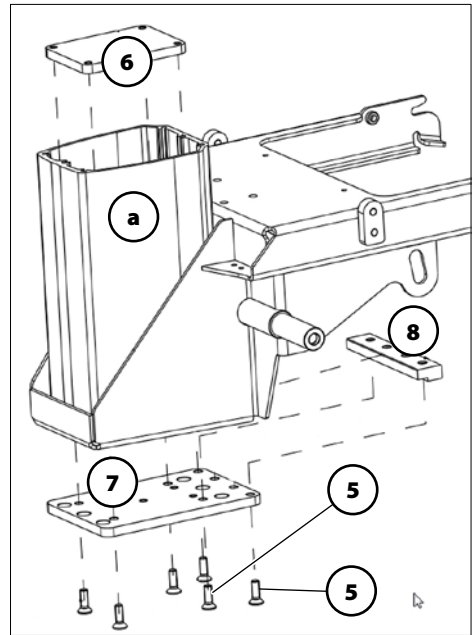
Safety information

The electric wheelchair is to be switched off during assembly in order to prevent unintentional rolling movements.

Before assembly the main-/battery fuse is to be removed.

Watch for jamming areas during the complete assembly. – Danger of jamming!

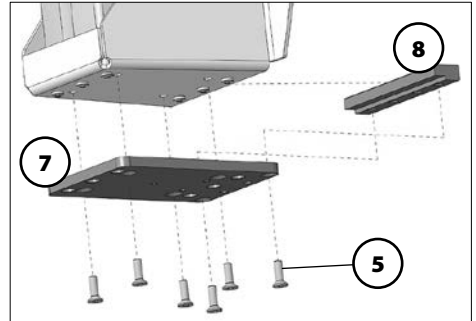
Keep the working area clean during the assembly!



Code 352, without Lift

Mounting the adapter plate

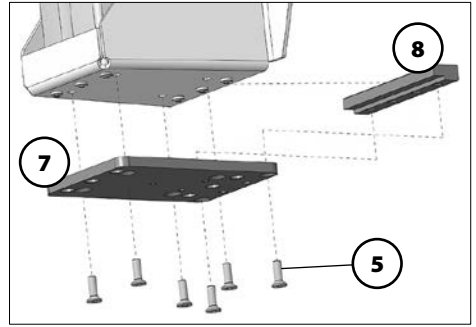
1. To mount the adapter plate (7), insert the attachment plate (6) into the profile tube (a).
2. Screw the adapter plate (7) and the attachment plate (6) together with 4x countersunk screw (5).
3. Place the clamping block (8) onto the adapter plate (7) and tighten with 2x countersunk screw (5).



Code 27, with Lift

Mounting the adapter plate

1. Screw the adapter plate (7) with 4x countersunk screws (5) underneath the base of the lifting cylinder.
2. Place the clamping block (8) onto the adapter plate (7) and tighten with 2x countersunk screw (5).



Mounting the docking set

For a correct ground clearance of 70 mm, assembly is to be carried out incl. the load of the actual user weight.

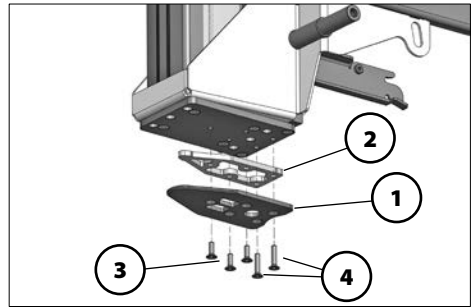
A corresponding distancer (2) has to be ordered. Bei Bedarf ist über www.dahl-engineering.dk >.

For safety reasons only use the included special countersunk screws (quality grade 14.9, Torx 27) (3)+(4).

Secure the countersunk screws with Loctite 222.

Observe torque 16 - 18 Nm!

1. Screw the countersunk screws, facing forward in driving direction (3) with the locking plate (1) and distancer (2) slid onto it from the bottom into the adapter plate (7).
2. Screw the two long countersunk screws (4) from the bottom into the clamping block (8).
3. Check and ensure the firm seat of the docking set in combination with the assembly inside the motor vehicle.



Re-establish driving readiness

1. Swivel the seat unit down.
2. Insert the battery fuse.

USER MANUAL

Safety information

When using the wheelchair watch for the reduced ground clearance due to the mounted docking set. – Danger of accidents!

☞ Therefore observe chapter *Technical data* on page 8.

For handicapped transport inside a motor vehicle observe the document < *Safety with Meyra-wheelchairs, also during transport in motor vehicles* >.

Only drive wheelchairs equipped with the docking set into Dahl Engineering anchoring units [1].

Before use make sure that the product is functional. – Danger of accidents!

Do not use a loose locking plate to anchor the wheelchair. – Increased danger of accident!

Correct anchoring of the wheelchair with the docking-station only happens with the weight of the user.

The user must be secured with a certified strap-retaining system.

MEYRA do not claim responsibility for damages that are caused by unattended minors in combination with the product!



Anchoring the wheelchair

If the wheelchair is anchored correctly, a control diode will light up on the operating module (1) of the docking station.

Further information to the Dahl Docking Station can be found on the website:
< www.dahlengineering.dk >.

To lock the docking station, move the wheelchair straight and centred over the anchoring unit (2) on the floor of the motor vehicle.

- ☞ If the wheelchair is **not** anchored correctly, a warning signal sounds and a warning light appears on the operating module (1) of the docking station.
- ☞ If necessary observe the operating manual of the Dahl-Dockingstation.

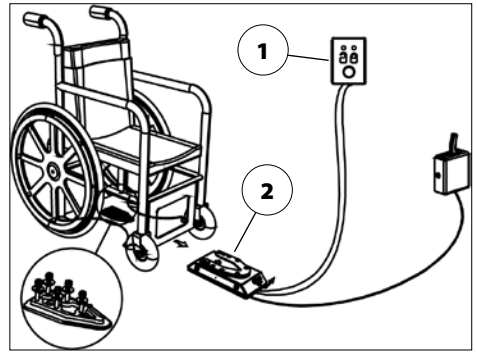
Unlocking the wheelchair

To unlock the wheelchair, press the release key on the operating module (1) of the docking station and then move the wheelchair slowly backwards out of the anchoring unit (2) on the floor of the motor vehicle.

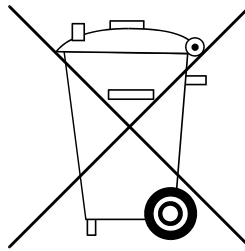
- ☞ The procedure e.g. in case of a breakdown of the battery of the motor vehicle can be viewed in the operating manual of your Dahl-Dockingstation.

Repairs

Use only original spare parts. Make use of the service of your educated dealer.



DISPOSAL



The disposal must comply with the respective national law.

Please enquire about local disposal arrangements at your municipal authority.

MAINTENANCE

An incorrect or neglected cleaning and maintenance of the product results in a limitation of the product liability.

Maintenance

The following maintenance Instruction gives you a guide for carrying out the maintenance work.

- ✎ They do not give information about the actual extent of work required on the product.

Maintenance schedule

WHEN	WHAT	REMARK
After use	Check for extreme soiling Clean if required	Carry out the cleaning by yourself or by an aid.
Every 6 months (depending on frequency of use)	Check screwed connections for firm seat.	Carry out the test yourself or by a helper.
Manufacturer recommendation: Every 12 months (depending on frequency of use)	Safety inspection	To be carried out by the specialist dealer.

TECHNICAL DATA

Docking-Station

Perm. user weight (including additional load)	136 kg
Ground clearance	40 mm

A higher user weight indicated on the type plate of your wheelchair is limited by the permitted user weight of the docking station.

WARRANTY / GUARANTEE

We accept legal liability for this product within the scope of our general terms and conditions and warranty and in certain cases other verbal resp. agreed upon guarantees.

☞ Therefore observe chapter < *Warranty / Guarantee* > of the operating manual of your wheelchair.

NOTES



This product is conform with the EC-directive 93/42/EEC (MDD) and fulfils up from 25th May 2021 the valid requirements of the regulation (EU) 2017/745 for medical devices.

MEYRA GmbH

Meyra-Ring 2
32689 Kalletal Kalldorf
GERMANY



Tel +49 5733 922 - 311
Fax +49 5733 922 - 9311



info@meyra.de

www.meyra.de
