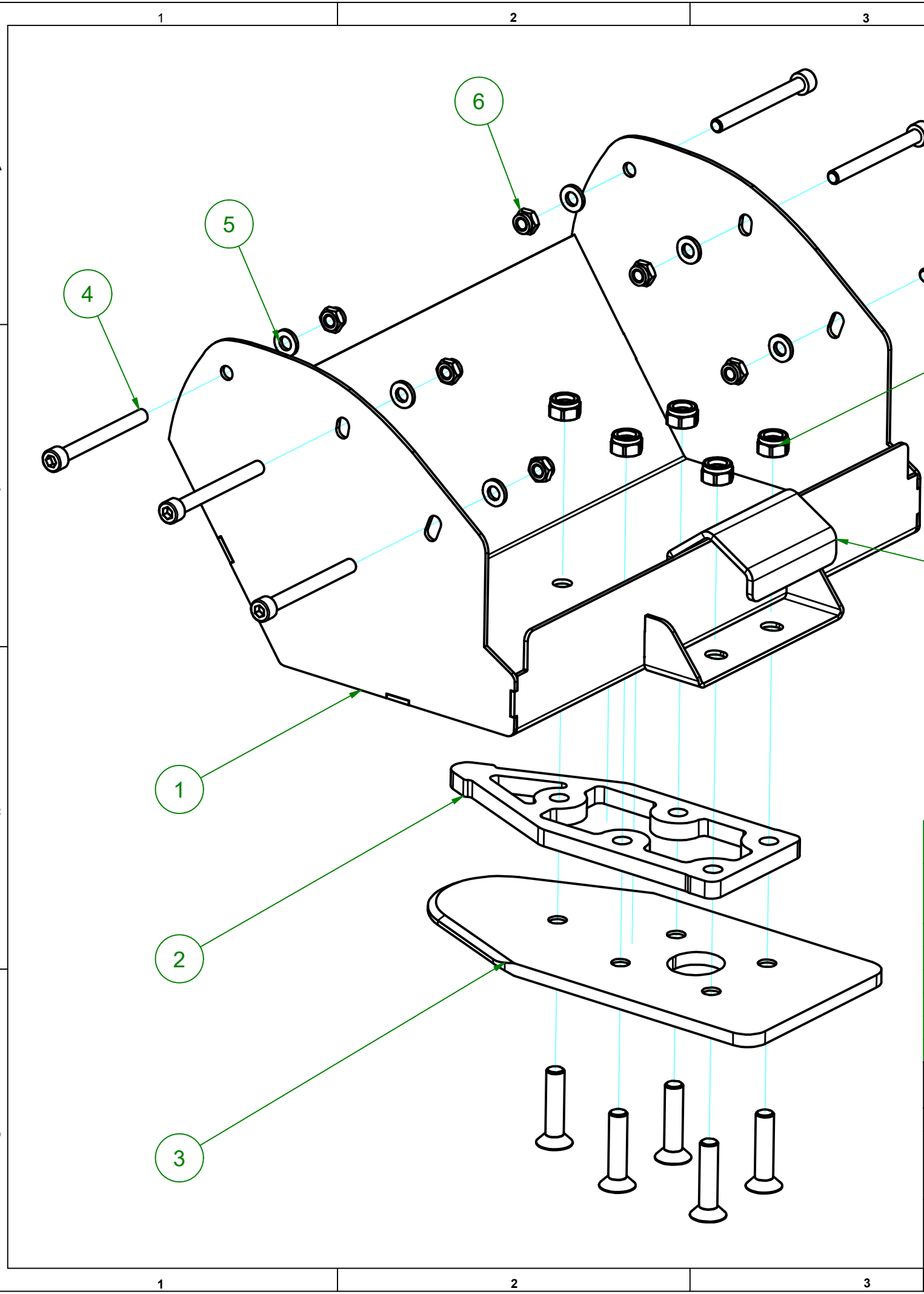


COPYRIGHT © THIS DRAWING REMAINS THE PROPERTY OF DAHL ENGINEERING. Copying, submitting to third parties or use for any purpose other than that originally intended is prohibited without previous written consent of DAHL ENGINEERING.



REVISION HISTORY			
REV	DESCRIPTION	DATE	APPROVED
01	500506&501097 is 500507, Notes updated	03-05-2021	LJ

Note 1: Pos. 1 supplied with adaptation kit 501905.

Note 2: Pos. 2, 3 supplied with Dahl Docking Station which shall be ordered separately.

Note 3: Pos. 4, 5, 6, supplied by Neatech with wheel chair.

Item	Qty	Drawing no	Description <sup>3</sup>	Type
1	1	500507	Docking bracket welded	
2	1	500673	Spacer 8 mm	
3	1	501935	Lock plate with bolts	
4	6		Bolt M6x60	DIN 912 / ISO 4762, FZB, 8.8
5	6		Washer M6	DIN 125 A / ISO7089, FZB
6	6		Lock nut	DIN 985 - M6
✓ Dimension		Material:		List of spare parts:
Chamfer:		Surface treatment:		Weight: 0 kg
Measures without tol.: DS/EN 22768-M				Replaced by:
Replaces:				

	Date:	23-03-2021	<b>Docking Adaptation Kit With Tray Neatech Dyna S304</b>
	Issuer:	LJ	
Title:			
Monteringsvejledning Notice d'installation Einbauanleitung Fitting instruction			
Scale:	Drawing no.:	501905	Rev no.:
			01