

1

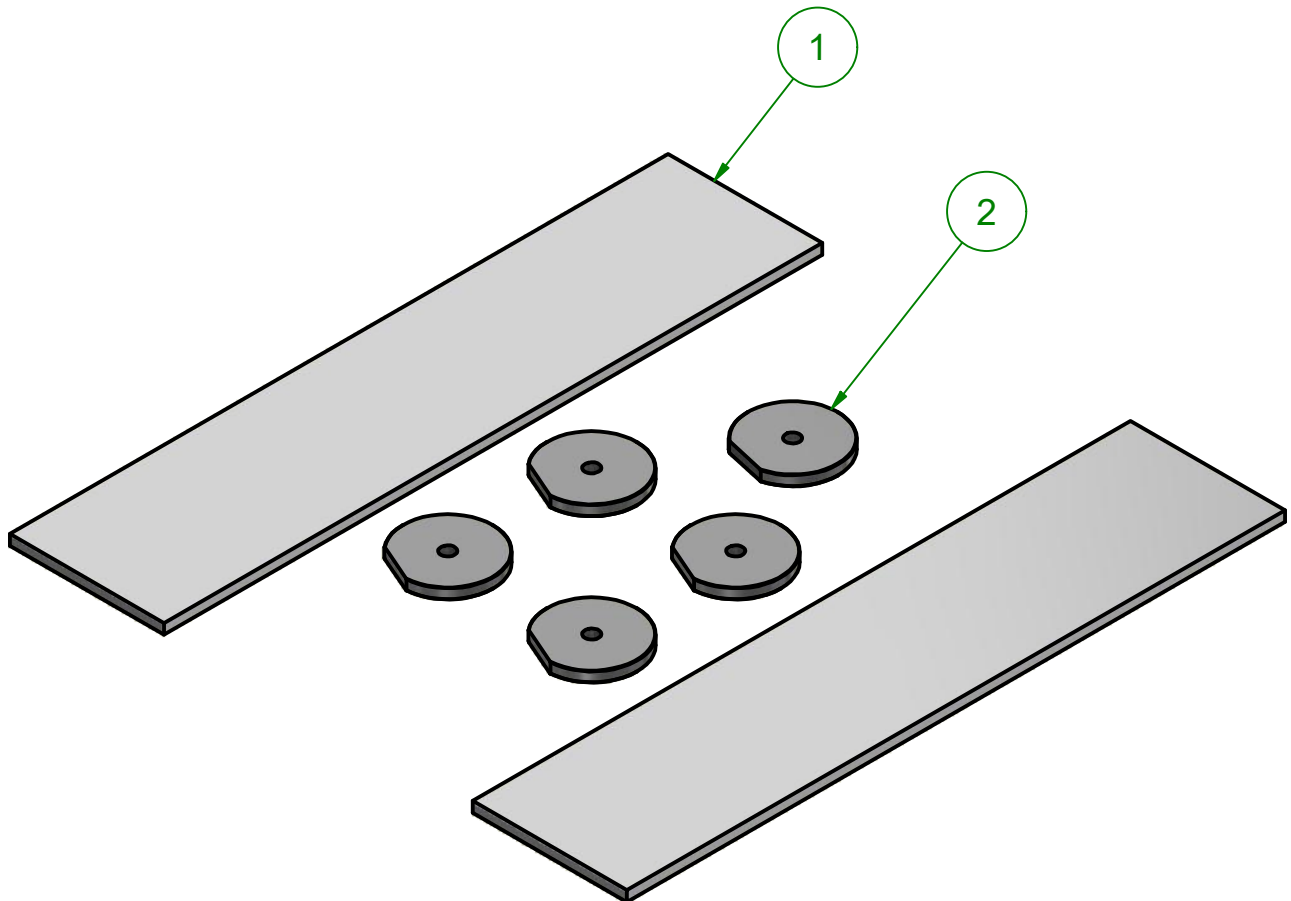
2

REVISION HISTORY

REV	DESCRIPTION	DATE	APPROVED
03	MEYRA ICHAOR MC MID added	14-11-2016	JH
04	MEYRA ICHAOR MC MID removed	15-01-2018	JH
05	4 Sunrise wheelchairs added	02-11-2018	MK
06	500759 new Revision	07-12-2018	MK
07	Sunrise Q500H and Q700R added	03-10-2019	MK
08	Mini M2 removed	11-06-2021	LJ
09	SUNRISE Q400R added	01-11-2021	LJ

A

A



B

B

C

C

Item	Qty	Drawing no	Description	Rev no
1	2	501758	Spacer	01
2	5	500759	Nut	01

✓	Dimension	Material:	List of spare parts:	Weight: 0 kg
	Chamfer:	Surface treatment:	Measures without tol.: DS/EN 22768-M	

Latest correction:	Replaced by:	Replaces:
--------------------	--------------	-----------

DAHL
ENGINEERING

Date: 25-08-2014

Issuer: JH

SUNRISE SALSA M2
SUNRISE Q400/500M
SUNRISE Q400F
SUNRISE Q500F
SUNRISE Q400R
SUNRISE Q500R
SUNRISE Q500H
SUNRISE Q700R
INVACARE TYPHOON 2

Title:

Adaptionssæt til DAHL Docking Station
Adaptionssæt für DAHL Docking Station
Adaptation Kit for DAHL Docking Station

Scale:	Drawing no.: 501798	Rev no.: 09
--------	---------------------	-------------