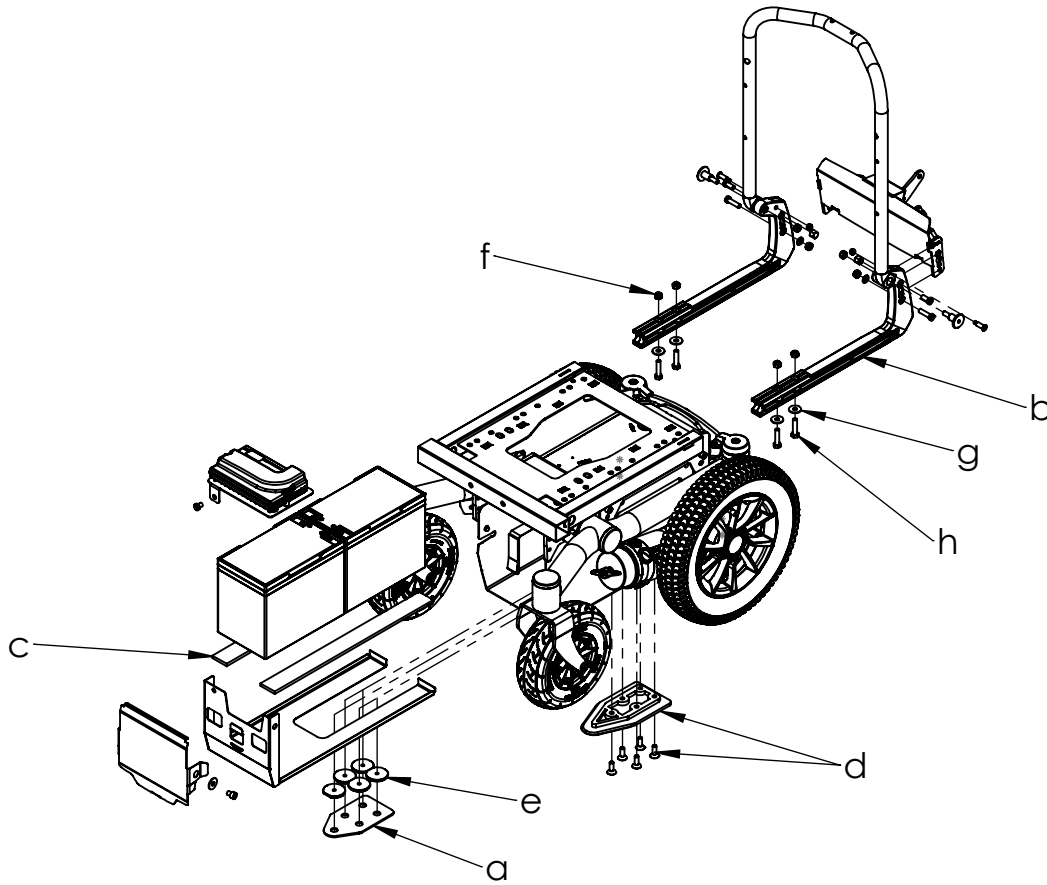


M8 = 18Nm
M6 = 10Nm
M5 = 6Nm
M4 = 4Nm



ITEM NO	DESCRIPTION	a	b	c				
5001169	Slimline Dahl car docking preparation, including lock plate	support plate (1x)	slider (2x)	spacer (2x)				
		d	e	f	g	h		
		lock plate (1x)	shoulder nut (5x)	locking nut M8 (6x)	washer M8 (4x)	M8 x 35 (4x)		

