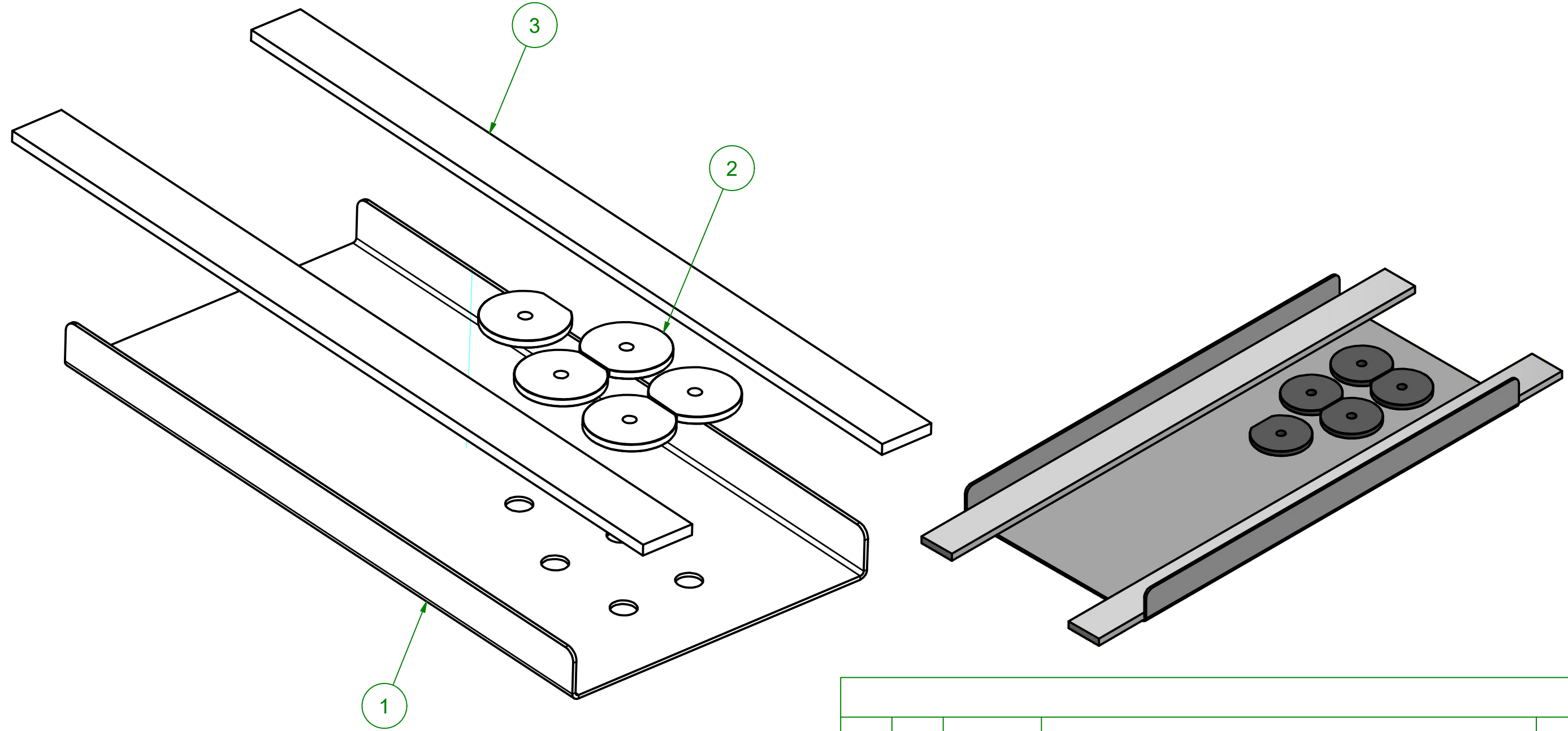


COPYRIGHT © THIS DRAWING REMAINS THE PROPERTY OF DAHL ENGINEERING  
Copying, submitting to third parties or use for any purpose other than that originally intended is prohibited without previous written consent of DAHL ENGINEERING



Item	Qty	Drawing no	Description3	Rev no
1	1	501133	Bracket for Chair Levo LCM 2-50	00
2	5	501757	Nut Special M8	02
3	2	503258	Spacer 460x30x6	01

✓	Dimension	Material:	List of spare parts:	Weight: 0 kg
	Chamfer:	Surface treatment:	Measures without tol.: DS/EN 22768-M	
Latest correction:			Replaced by:	Replaces:

<b>DAHL</b> ENGINEERING	Date:	01-12-2020	<b>Dahl Docking System</b>
	Issuer:	LJ	
Title:			
Monteringsæt for Levo LCM 2-50 Montagesatz für Levo LCM 2-50 Adaptation Kit for Levo LCM 2-50			
Scale:	Drawing no.:	Rev no.:	
	502322	00	