

Compliance Guide

– Approved products and vehicles

ENGLISH



Content

DAHL ENGINEERING APS	3
ADAPTATION KITS FOR THE WHEELCHAIR	4
LIST OF VEHICLES	
with approved installation kits for Dahl Docking Systems	8
COMPATIBILITY LIST	
– Ford Transit Custom V710/ VW New Transporter.....	10
DAHL VARIODOCK	11
– approved installation kits.....	12
DAHL DOCKING STATION MK II	25
– approved installation kits.....	26
LIST OF VEHICLES	
with approved installation kits for 4-point WTORS	39
COMPATIBILITY LIST	
– Ford Transit Custom V710/ VW New Transporter.....	42
CLASSIC LINE	43
– approved installation kits.....	44
EVOLUTION LINE	50
– approved installation kits.....	51
HEAVY DUTY LINE	64
– approved installation kits.....	65
COMFORT SEAT	71
– approved installation kits.....	72
Layout sketch	77
Terms of sale and delivery.....	79

Dahl Engineering ApS



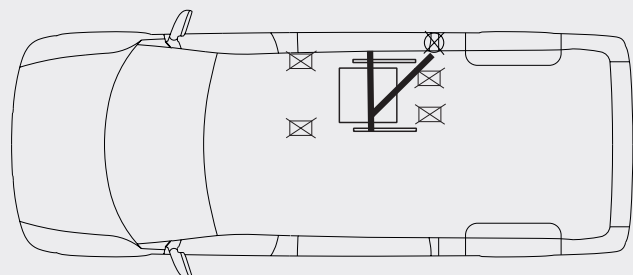
Dahl Engineering has over 30 years of experience in the development, safety testing, and production of automotive equipment. This experience gives us comprehensive knowledge of safety and legal requirements.

All WTORS (wheelchair tieddown and occupant restraint systems) must, according to EU Regulation 2018/858, be tested in the specific vehicle model and installation position where the equipment is installed.

We offer complete, TÜV Rheinland-approved installation kits for 4-point and docking systems that meet – and exceed – EU Regulation 2018/858 for securing wheelchairs weighing between 85kg and 200kg, plus the user's weight.

Our compliance guide provides a complete overview of all tested and approved vehicle-specific solutions. We have tested and approved docking systems, 4-point WTORS, as well as our COMFORT Seats in accordance with applicable regulations and standards.

With this publication, you get a quick and easy overview, allowing you to find the correct part number depending on the vehicle model and installation position. The different installation positions in the vehicle can be identified using the vehicle diagram, which shows the location of the tested solutions.



Adaptation kits for the wheelchair

Approved wheelchairs with our docking systems

According to the EU's medical directive, a wheelchair is classified as medical equipment class 1, and must be CE-marked and approved as such. Whoever installs or adapts non-approved equipment or installs the system in a way that falls outside the wheelchair manufacturer's specifications, breaks the CE-approval, and is considered a responsible manufacturer and is therefore responsible for the equipment's quality, safety, performance, and technical documentation according to requirements in the regulation on medical equipment.

If our docking systems are installed on a wheelchair that has been tested and approved by the wheelchair manufacturer, its CE-approval remains intact. It is strongly advisable, that the instructions in the wheelchair manufacturer's manual are followed closely.

Videos of crash-tests, as well as the wheelchair manufacturers' user and service manuals are available on our website.

Please contact the wheelchair manufacturer regarding approved equipment and ground clearance to ensure compatibility with our Dahl Docking Systems.

POWER WHEELCHAIR - Make & Model	Possibility of fitting the docking lock plate is standard feature on wheelchair	Retrofittable adaptation kit available from Dahl Engineering	Retrofittable adaptation kit available from Wheelchair manufacturer	Adaptation kit CANNOT be retro fitted. Adaptation kit only available from wheelchair manufacturer if ordering option with wheelchair.	Compatible with VarioDock
Baldertech F380 (280) Finesse tiltstol			Balder#HP20071413		✓
Baldertech F380 Recaro Finesse tiltstol			Balder#HP20071413		✓
Baldertech F390 (290) Finesse ståstol			Balder#HP20071413		✓
Baldertech J335 (235) Junior tiltstol			Balder#HP20071413		✓
Baldertech J340 (240) Junior ståstol			Balder#HP20071413		✓
Baldertech Liberty RWD			Balder#HP20071413		✓
Degonda T4 2x2		#503213			✓
Degonda T4 Compact		#503213			✓
Dietz Power Sango Advanced FWD SEGO			Dietz#5001168		✓
Dietz Power Sango Advanced MWD SEGO			Dietz#5001168		✓
Dietz Power Sango Advanced RWD SEGO			Dietz#5001168		✓
Dietz Power Sango Slimline FWD SEGO			Dietz#5001169		✓
Dietz Power Sango Slimline MWD SEGO			Dietz#5001169		✓
Dietz Power Sango Slimline RWD SEGO			Dietz#5001169		✓
Freedom One Life Series 5 (fra 2023-2025)			✓**		✓
Freedom One Life Series 5 (fra 2026)	✓				✓
Glide CentroGlide		#502237			✓
Glide Centro 2.0		#502237			✓
Invacare AVIVA RX				Invacare #SP1653422	✓
Invacare FX 40 Modulite		#501540			✓
Invacare Storm4				#ATZ1450	✓
Invacare Storm4 Xplore				#ATF1450	✓
Invacare TDX SP2 (WB)				#SP1564843	✓
Invacare TDX SP2 (NB)				#SP1564807	✗
Invacare TDX SP2 MBL Tilt-Lifter (WB)				#SP1564843	✓
Invacare TDX SP2 MBL Tilt-Lifter (NB)				#SP1564807	✗
Karma EVO Altus / Lectus-LR		#503194			✓
Karma Leon FWD Kameleon			Karma#191700000061		✓
Karma Leon FWD Versus			Karma#191700000061		✓
Karma Leon RWD			Karma#151200000023		✓
Karma Mid Lectus		#503339			✓
Karma Morgan			Karma#4020169		✓

Adaptation kits for the wheelchair

POWER WHEELCHAIR – Make & Model	Possibility of fitting the docking lock plate is standard feature on wheelchair	Retrofittable adaptation kit available from Dahl Engineering	Retrofittable adaptation kit available from Wheelchair manufacturer	Adaptation kit CANNOT be retro fitted. Adaptation kit only available from wheel- chair manufacturer if ordering option with wheelchair.	Compa- tible with VarioDock
Karma Morgan M Lectus		#503339			✓
Karma Morgan M Versus		#503339			✓
Karma Morgan Sling		#503339			✓
LEVO LCM 2		#502322			✓
LEVO C3 Standup		#503030			✓
Magic Mobility 360		#501798			✓
Medema MC 1122	✓				✓
Medema MC 1124 Adult		#502378			✓
Medema MC 1124 Child		#502378			✓
Medema MC 1144 Adult		#503236			✓
Medema MC 1144 Child		#503236			✓
Meyra iChair MC2 1.611		#501909			✓
Meyra iChair MC2 1.611 / Electrical backrest		#503453			✓
Meyra iChair MC3 1.612			Meyra#1079816		✓
Meyra iChair McFront 1.613		#501619			✓
Meyra iChair McFront 1.613 / Electrical backrest		#501620			✓
Meyra iChair Orbit 1.618		#503657			✓
Meyra iChair Meylife 1.650		#503657			✓
Neatech EVO 1		#503340			✓
Neatech EVO 3		#502210			✓
New Live Magix			NewLive MA.O.P.01, AC.Z.800003		✓
New Live Magix II	✓*				✓
NHD LS 300		#503341			✓
NHD LS300/45		#503341			✓
Otto Bock Juvo B4 RWD		#503184			✓
Otto Bock Juvo B5/B6 FWD		#503261			✓
Otto Bock Juvo B5/B6 MWD		#503261			✓
Otto Bock Juvo B5/B6 RWD		#503261			✓
Otto Bock Juvo B7 MWD		#503261			✓
Paravan Heavy Duty			Paravan#33187		✓
Paravan PR 25		#502064			✓
Paravan PR 35S		#502064			✓
Paravan PR 40		#502064			✓
Paravan PR 50			Paravan#33187		X
Paravan Piccolino			Paravan#33187		✓
Permobil F3 Corpus	✓*				✓
Permobil F5 Corpus	✓*				✓
Permobil F5 Corpus VS	✓*				✓
Permobil M1	✓*				✓
Permobil M3 Corpus	✓*				✓
Permobil M5 Corpus	✓*				✓
Permobil M5 Corpus VS	✓*				✓
Quantum Rehab (Pride Mobility), Q6 Edge 2.0*		#502378			✓
Quantum Rehab (Pride Mobility), Q6 Edge 3.0*		#502378			✓
Rehamed Power RP1		#502917			✓
Roltec Boa 2		#503342			✓
Roltec Moveo		#501819			✓

* Please inquire with the Pride/Quantum sales organization in your country regarding availability.

Adaptation kits for the wheelchair

POWER WHEELCHAIR - Make & Model	Possibility of fitting the docking lock plate is standard feature on wheelchair	Retrofittable adaptation kit available from Dahl Engineering	Retrofittable adaptation kit available from Wheelchair manufacturer	Adaptation kit CANNOT be retro fitted. Adaptation kit only available from wheelchair manufacturer if ordering option with wheelchair.	Compatible with VarioDock
Roltec Viper			Roltec#70658		✓
Roltec CT4 RWD / Vision			Roltec#70658		✓
Scout Mobility X10 FWD		#503366			✓
Scout Mobility X10 MWD		#503366			✓
Scout Mobility X10 RWD		#503366			✓
SKS Swiss Viva Grand			SKS#22.0218		✓
SKS Swiss Viva Grand M		#503342			✓
Sunrise Medical Q100 R		#503259			✓
Sunrise Medical Q200 R		#503259			✓
Sunrise Medical Q300M Mini		#500094			✗
Sunrise Medical Q300 R		#503012			✓
Sunrise Medical Q400 F		#503637			✓
Sunrise Medical Q400 M		#503439			✗
Sunrise Medical Q400 R		#503637			✓
Sunrise Medical Q500 F		#503637			✓
Sunrise Medical Q500 H		# 501798			✓
Sunrise Medical Q500 M		#503439			✗
Sunrise Medical Q500 R		#503637			✓
Sunrise Medical Q700 F		#501889			✓
Sunrise Medical Q700 M		#503439			✓
Sunrise Medical Q700 R		#503637			✓
Sunrise Medical Q700 UP F		#501889			✓
Sunrise Medical Q700 UP M		#503439			✓
Sunrise Medical QUICKIE Salsa M2		#501798			✗
Sunrise Medical QUICKIE Salsa R2		#501756			✓
TA Service IQ RWD		#503054			✓
TA Service IQ FWD		#503054			✓
TA Service IQ MWD		#503054			✓
TA Service Indoor Wave			TA #95255		✓
Wolturnus A-Run				Wolturnus #20778	✓
Wolturnus Rex 350				Wolturnus #20779	✓

MANUAL WHEELCHAIR - Make & Model	Removable MADS System	Retrofittable adaptation kit available from Dahl Engineering	Retrofittable adaptation kit available from Wheelchair manufacturer	Adaptation kit CANNOT be retro fitted. Adaptation kit only available from wheelchair manufacturer if ordering option with wheelchair.	Compatible with VarioDock
Hoggi Swingbo VTi/XL	✓	#503044			✓
Neatech LB	✓	#504120			✓
R82 Kudu	✓	#503026			✓
Schmicking X-Design	✓	#502898			✓
Sunrise Medical Exigo 30	✓	#502961			✓
Talart JT-Sparkle	✗		Talart #JT01154		✓
Wolturnus W5	✓	#502018			✓
Wolturnus W5	✗			#20776 / #20777	✓

All discontinued, but approved and tested wheelchairs, can be found on our homepage.

Dahl Docking Systems - MK II & VarioDock™

List of vehicles with approved installation kits

Vehicle make	Vehicle model	Position of shoulder belt anchorage	Floor mount type	MK II	Vario	First seat row			FMVSS 207/ CMVSS 207	FMVSS 210/ CMVSS 210	
						Amount docking stations	Seat base	Shoulder belt anchorage			
Citroën	Berlingo, Tripod/allied dropfloor conversion	B	/	503461	503954	2	1	1			
	Jumper Y	C	surface	502171	503920						
		C	flush	502172	503921						
		W	surface	502179	503928						
		W	flush	502180	503929						
	Jumpy X	C	surface	502171	503920						
		C	flush	502172	503921						
		RD	surface	502177	503926						
		RD	flush	502178	503927						
	Jumpy & Spacetourer KO	B		503303	503950	1	0	1			
		B		503304	503951	1	0	1			
		B		503305	503952	2	1	0			
		B		503306	503953	2	1	2			
		C	surface	503302	503949						
C		flush	503301	503946							
Fiat	Doblo high roof SWB & LWB	D	surface	503121	503940						
		D	flush	503120	503939						
	Ducato X250	C	surface	502171	503920						
		C	flush	502172	503921						
		W	surface	502179	503928						
		W	flush	502180	503929						
	Scudo X270	C	surface	502171	503920						
		C	flush	502172	503921						
		RD	surface	502177	503926						
		RD	flush	502178	503927						
	Talento 2016-	C	surface	502171	503920						
		C	flush	502172	503921						
		D	surface	502171	503920						
		D	flush	502172	503921						
Ford	Transit Custom V362	C	surface	502171	503920						
		C	flush	502172	503921						
		RD	surface	502177	503926						
		RD	flush	502178	503927						
	Transit V363	C	surface	502194	503932						
		Transit Custom V710	SEE LIST ON PAGE 10 FOR MORE INFORMATION.								
Jeep	Renegade, ACA Drop floor conversion	B		501551	501552	2	1	0			
MAN	TGE 2017-	C	surface	503142	503941						
		C	flush	503143	503942						
		W	surface	503145	503944						
		W	flush	503144	503943						
		D	surface	502171	503920						
		D	flush	502172	503921						
Mercedes	Vito & V-Class W447	B		502163	503914	2	1	2			
		B		502164	503915	2	1	0			
		B		502165	503916	1	0	1			
		B		502166	503917	1	0	1			
		B		502167	503918	1	0	0			
		B		502168	503919	1	0	0			
		C	surface	502171	503920						
		C	flush	502172	503921						
		RD	surface	502177	503926						
		RD	flush	502178	503927						
		W	surface	503008	503007						
		W	flush	503006	503005						
	Sprinter 906 & 907 & 910	B		501970	503902	2	1	2	√	√	
		B		501971	503903	1	0	1	√	√	
		B		502034	503905	2	1	0	√	√	
		B		502035	503906	1	0	0	√	√	
		W	surface	502175	503924				-	√	
		W	flush	502176	503925				-	√	
Sprinter 907/910 (IKKE 906)	D	surface	502171	503920				-	-		
	D	flush	502172	503921				-	-		
	C	flush	504169	504168				-	√		
	C*	flush	504167	504166				-	√		
	Mitsubishi	Express (Australien & New Zealand)	C	surface	502171	503920					
			C	flush	502172	503921					
D			surface	502171	503920						
D			flush	502172	503921						
Nissan	Interstar 2024	C	flush	504162	504163				-	√	
		D	flush	504157	504159				-	√	
	NV 200	W	surface	503197	503945						
		C	surface	502171	503920						
		C	flush	502172	503921						
		D	surface	502171	503920						
	NV 400	D	flush	502172	503921						
		B		502039	503909	2	1	2			
		B		502041	503911	2	1	0			
		B		502042	503912	1	0	1			
		B		502043	503913	1	0	0			
		C	surface	502181	503930						
Primastar	C	flush	502182	503931							
	C	surface	502171	503920							
	C	flush	502172	503921							
	D	surface	502171	503920							
	D	flush	502172	503921							
	D	surface	503121	503940							
Opel	Combo High roof SWB & LWB	D	surface	503121	503940						
		D	flush	503120	503939						

* Sliding door

Dahl Docking Systems - MK II & VarioDock™

List of vehicles with approved installation kits

Vehicle make	Vehicle model	Position of shoulder belt anchorage	Floor mount type	MK II	Vario	First seat row			FMVSS 207/ CMVSS 207	FMVSS 210/ CMVSS 210		
						Amount docking stations	Seat base	Shoulder belt anchorage				
	Movano X 62	B		502039	503909	2	1	2				
		B		502041	503911	2	1	0				
		B		502042	503912	1	0	1				
		Vivaro X 82 & X 83	B		502043	503913	1	0	0			
			C	surface	502181	503930						
			C	flush	502182	503931						
			C	surface	502171	503920						
			C	flush	502172	503921						
			D	surface	502171	503920						
		Zafira Life	D	flush	502172	503921						
			C	surface	503302	503949						
			C	flush	503301	503946						
B				503303	503950	1	0	0				
B				503304	503951	1	0	1				
B				503305	503952	2	1	0				
Peugeot	Boxer Y	B		503306	503953	2	1	2				
		C	surface	502171	503920							
		C	flush	502172	503921							
		Expert X	W	surface	502179	503928						
			W	flush	502180	503929						
			C	surface	502171	503920						
		Expert & Traveller KO	C	flush	502172	503921						
			W	surface	502177	503926						
			W	flush	502178	503927						
			C	surface	503302	503949						
			C	flush	503301	503946						
			B		503303	503950	1	0	0			
	Partner, Tripod/Allied drop floor conversion	B		503304	503951	1	0	1				
		B		503305	503952	2	1	0				
		B		503306	503953	2	1	2				
Renault	Master X62	B		503461	503954	2	1	2				
		B		502039	503909	2	1	2				
		B		502041	503911	2	1	0				
		Trafic X82 & X83	B		502042	503912	1	0	1			
			B		502043	503913	1	0	0			
			C	surface	502181	503930						
			C	flush	502182	503931						
			C	surface	502171	503920						
			C	flush	502172	503921						
		Master XDD 2024-	D	surface	502171	503920						
			D	flush	502172	503921						
			C	flush	504162	504163				-	√	
Toyota	Proace	D	flush	504157	504159				-	√		
		C	surface	502171	503920							
		C	flush	502172	503921							
		Proace & Proace Verso 2017-	RD	surface	502177	503926						
			RD	flush	502178	503927						
			C	surface	503302	503949						
			C	flush	503301	503946						
			B		503303	503950	1	0	0			
			B		503304	503951	1	0	1			
	VW	Caddy, ITEK drop floor conversion	B		503305	503952	2	1	0			
			B		503306	503953	2	1	2			
			B		503255	503947	2	1	2			
		Crafter (2006-2016)	B		503310	503948	2	1	0			
			B		501970	503902	2	1	2	√	√	
			B		501971	503903	1	0	1	√	√	
	Crafter 2017 -	B		502034	503905	2	1	0	√	√		
		B		502035	503906	1	0	0	√	√		
		W	surface	502175	503924				-	√		
		W	flush	502176	503925				-	√		
		D	surface	502171	503920				-	√		
		D	flush	502172	503921							
		VW T5 & T6	C	surface	503142	503941						
			C	flush	503143	503942						
			W	surface	503145	503944						
			W	flush	503144	503943						
			D	surface	502171	503920						
			D	flush	502172	503921						
	New Transporter/Caravelle 2025-T6, Zawatzky Centervan, Drop floor conversion	B		501973	503904	1	0	1				
		B		502036	503907	1	0	0				
		B		502037	503908	2	1	0				
		T5 & T6 Colorado, GM Coachwork, Drop floor conversion	B		502040	503910	2	1	2			
			C	surface	502171	503920						
			C	flush	502172	503921						
			W	surface	502173	503922						
			W	flush	502174	503923						
			RD	surface	502177	503926						
			RD	flush	502178	503927						
			SEE LIST ON PAGE 10 FOR MORE INFORMATION.									
			B		502368	503937	2	1	2			
		B		502369	503938	2	1	0				
		B		502285	503933	2	1	2				
		B		502286	503934	1	0	1				
		B		502287	503935	2	1	0				
		B		502288	503936	1	0	0				

Compatibility list

Position of shoulder belt anchorage	Floor pocket	MK II Docking Kit Part. no.	Propulsion type compatibility			Van dimensions compatibility				Body style compatibility			FMVSS/CMVSS 207	FMVSS/CMVSS 210
			BEV*	PHEV*	ICE*	L1	L2	H1	H2	Van	Kombi	Bus		
Seat row 1		504144	√	√	√	√	√	√	√	√	√	√	√	√
		504149	√	√	√	√	√	√	√	√	√	√	√	√
Seat row 2, rear side window frame	surface													
	flush	500221	√	√	√	√	√	√	√	√	√	√	-	√
		504063	-	-	√	√	√	√	√	√	√	√	√	√
Seat row 3, D-pillar	surface													
	flush	500253	√	√	√	√	√	√	√	-	√	√	-	√
Seat row 3, upper rear door opening	surface													
	flush	500254	√	√	√	√	√	√	-	-	√	√	-	√

Position of shoulder belt anchorage	Floor pocket	VarioDock kit Part. No.	Propulsion type compatibility			Van dimensions compatibility				Body style compatibility			FMVSS/CMVSS 207	FMVSS/CMVSS 210
			BEV*	PHEV*	ICE*	L1	L2	H1	H2	Van	Kombi	Bus		
Seat row 1		504148	√	√	√	√	√	√	√	√	√	√	√	√
		504150	√	√	√	√	√	√	√	√	√	√	√	√
Seat row 2, rear side window frame	surface													
	flush	500222	√	√	√	√	√	√	√	√	√	√	-	√
		504064	-	-	√	√	√	√	√	√	√	√	√	√
Seat row 3, D-pillar	surface													
	flush	500255	√	√	√	√	√	√	√	-	√	√	-	√
Seat row 3, upper rear door opening	surface													
	flush	500256	√	√	√	√	√	√	-	-	√	√	-	√

* BEV = Battery Electric Vehicle

* PHEV = Plug-In Hybrid Electric Vehicle

* ICE = Internal Combustion Engine

See also vehicle diagrams in the following chapter.

Dahl Engineering sets again new standards for flexibility and safety!

Our new Dahl VarioDock™ is not only the only power-height adjustable wheelchair Docking station, which facilitates securing wheelchairs with different ground clearances and vehicle passenger seats with integrated 3 point belt, but it is also the only system to meet standard ISO 10542-1, ISO 7176-19 and the strict M1 in-vehicle testing requirements for seats and seat belt anchorages according to ECE regulations 14 and 17.

Thanks to the Dahl VarioDock™ system, securing wheelchair users and other seated occupants can be carried out with an unprecedented ease, speed and safety. The Dahl VarioDock™ docking system offers more flexibility and versatility than any other seat anchoring system because the seat and wheelchair layout can be changed very quickly with a minimum of effort and time consumption. A docking system also improves the working environment considerably for drivers, who often struggle with cramped spaces and bad working positions when tying down wheelchairs with 4 point strap systems.

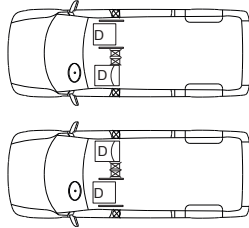
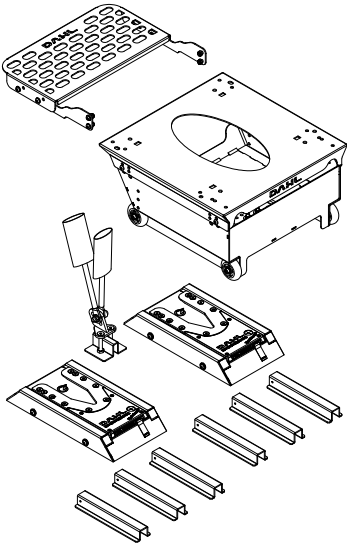
- Power height adjustment from 61 - 91 mm.
- Time consumption only ¼ of tying down wheelchair with 4 point strap system.
- Tested for wheelchairs with a weight of up to 200 kg plus user.
- Approved for anchoring Dahl COMFORT Seat
- 4 step power tightening system to eliminate unwanted play.
- Opening time for lock selectable in 5 or 8 seconds intervals.
- "Maintenance required" warning in display
- Improves working environment for drivers.
- No tie down straps on vehicle floor to trip over.
- Crash tested and CE-marked with approximately 160+ wheelchair models



Part no. 501552

ACA Drop Floor Conversion:

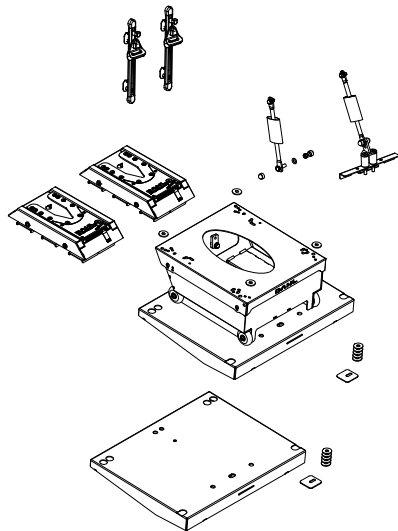
Jeep Renegade



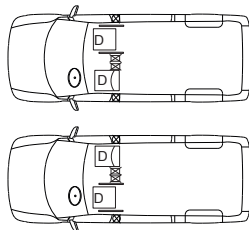
Part no. 503902

MB Sprinter 906, 907 & 910

VW Crafter (2006-2016)



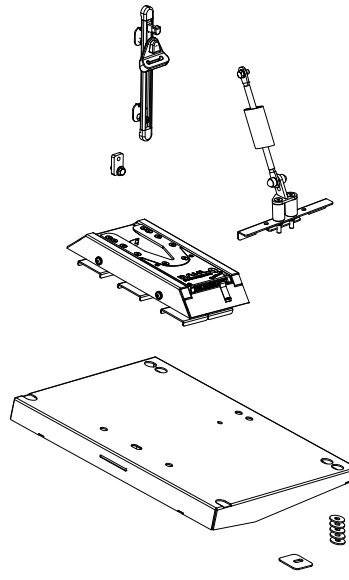
FMVSS/CMVSS
207/210



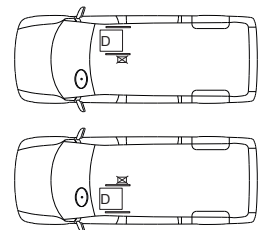
Part no. 503903

MB Sprinter 906, 907 & 910

VW Crafter (2006-2016)

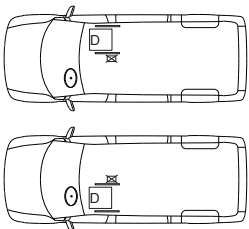
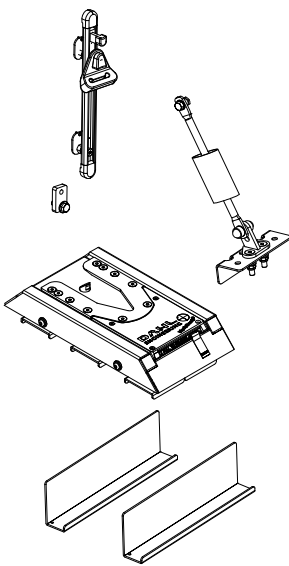


FMVSS/CMVSS
207/210



Part no. 503904

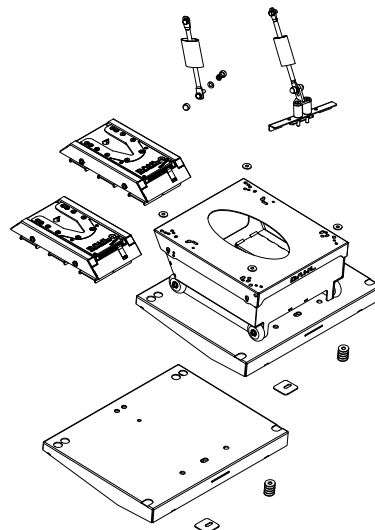
VW T5 & T6



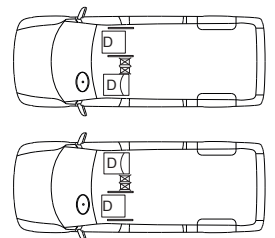
Part no. 503905

MB Sprinter 906, 907 & 910

VW Crafter (2006-2016)



FMVSS/CMVSS
207/210

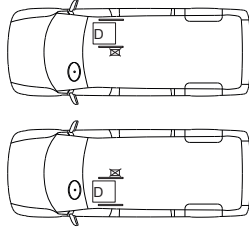
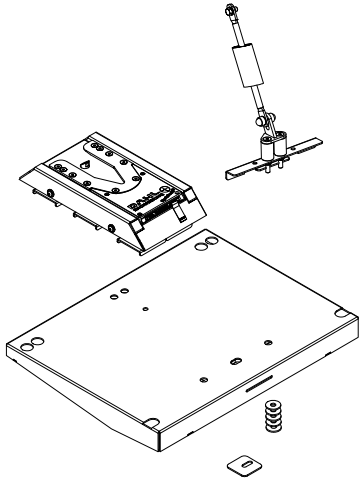


Dahl VarioDock™ System - approved installation kits for wheelchairs ONLY

Part no. 503906

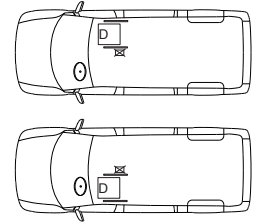
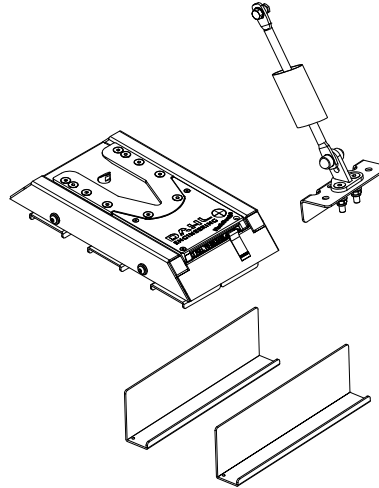
MB Sprinter 906, 907 & 910
VW Crafter (2006-2016)

FMVSS/CMVSS
207/210



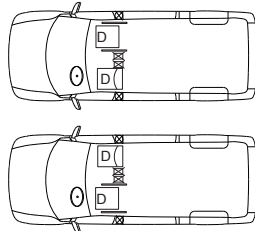
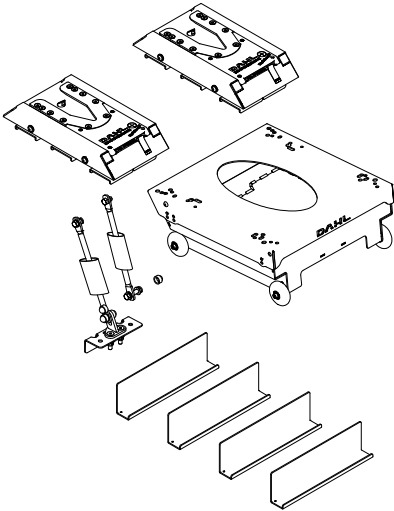
Part no. 503907

VW T5 & T6



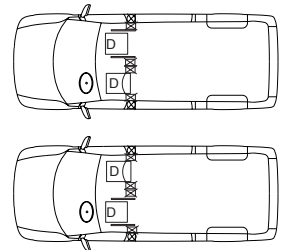
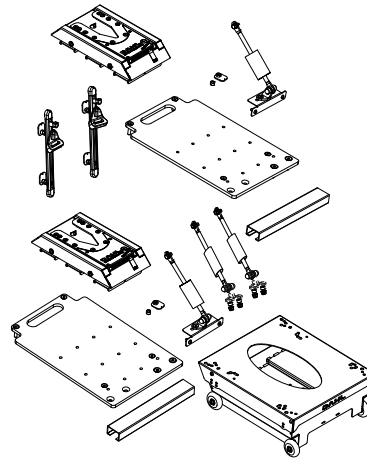
Part no. 503908

VW T5 & T6



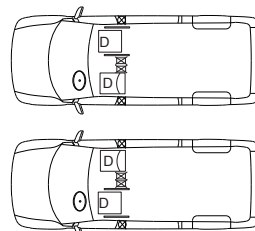
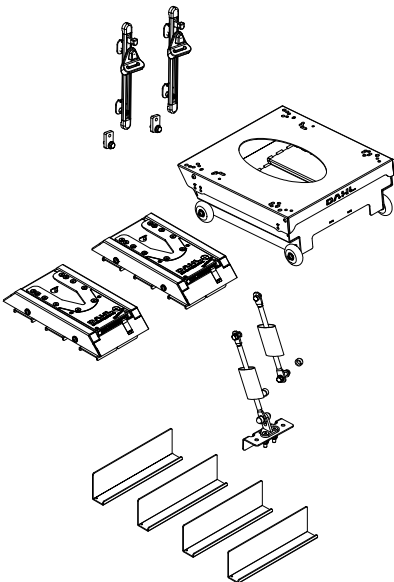
Part no. 503909

Renault Master X62
Opel Movano X62
Nissan NV400



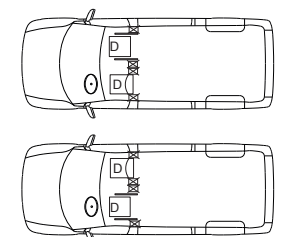
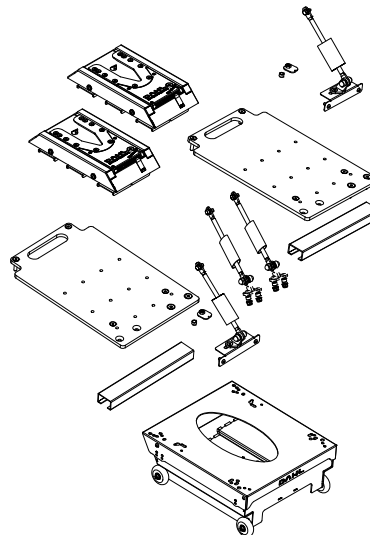
Part no. 503910

VW T5 & T6



Part no. 503911

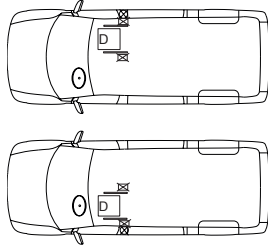
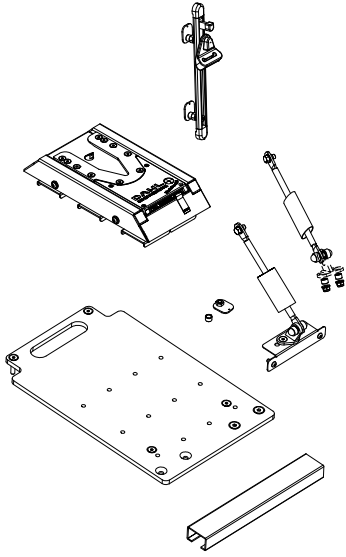
Renault Master X62
Opel Movano X62
Nissan NV400



Dahl VarioDock™ System - approved installation kits for wheelchairs ONLY

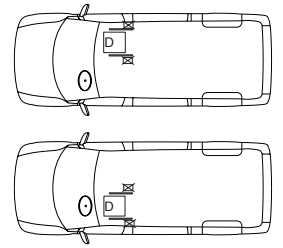
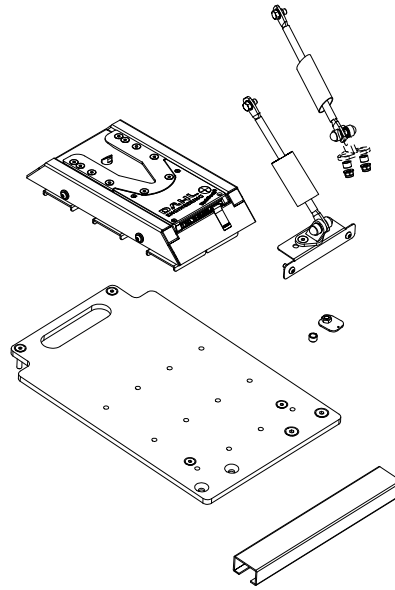
Part no. 503912

Renault Master X62
Opel Movano X62
Nissan NV400



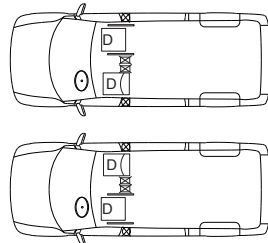
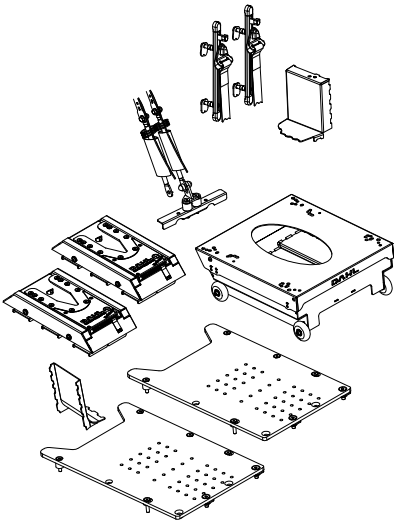
Part no. 503913

Renault Master X62
Opel Movano X62
Nissan NV400



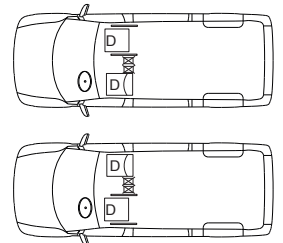
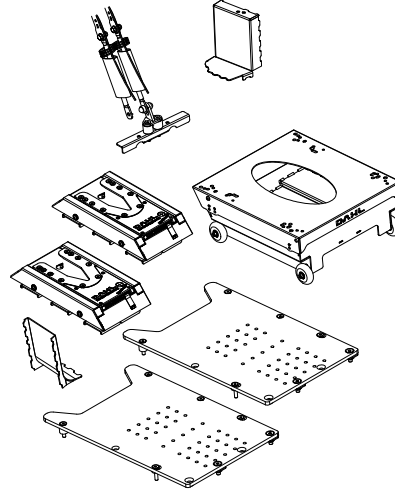
Part no. 503914

MB Vito & V-Class W447



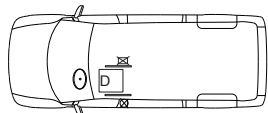
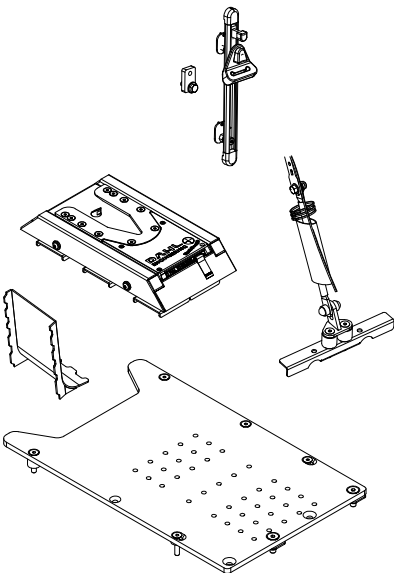
Part no. 503915

MB Vito & V-Class W447



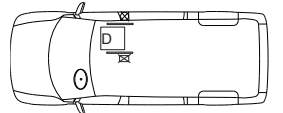
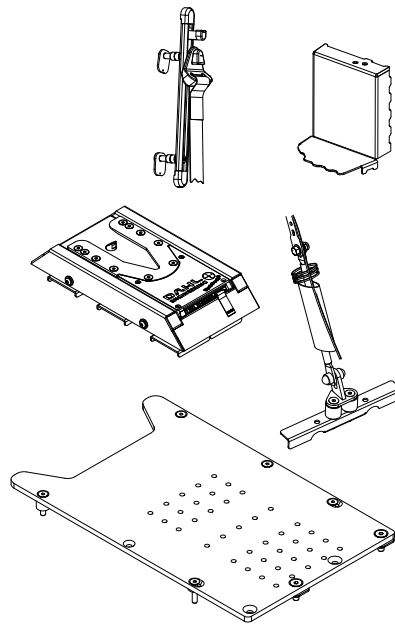
Part no. 503916

MB Vito & V-Class W447



Part no. 503917

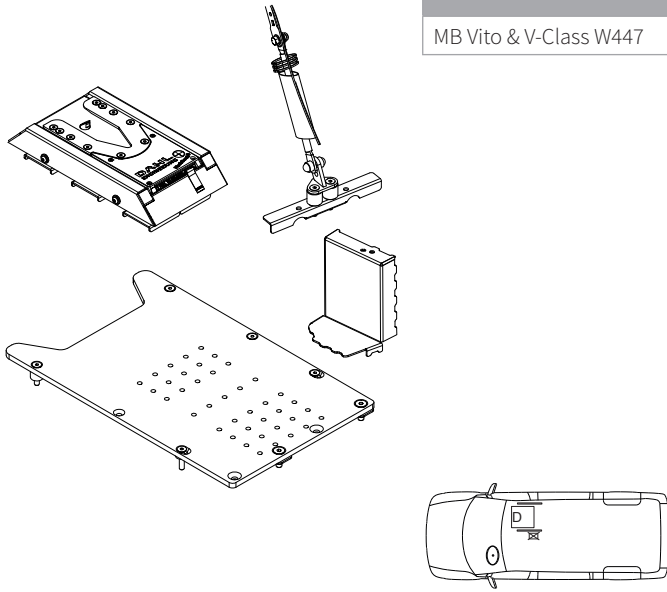
MB Vito & V-Class W447



Dahl VarioDock™ System - approved installation kits for wheelchairs ONLY

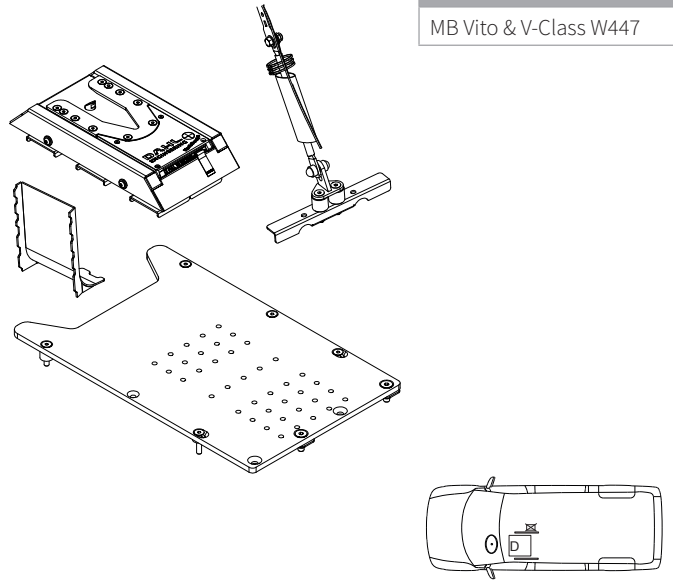
Part no. 503918

MB Vito & V-Class W447



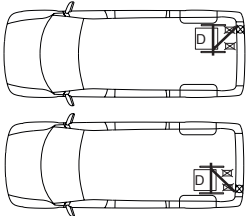
Part no. 503919

MB Vito & V-Class W447



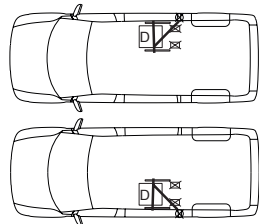
Part no. 503920

Fiat Talento 2016-
MAN TGE 2017-
MB Sprinter 906, 907 & 910
Mitsubishi Express X82 (AU & NZ)
Nissan Primastar
Nissan NV300
Opel Vivaro X83 & X82
Renault Traffic X83 & X82
VW Crafter -2016
VW Crafter 2017-



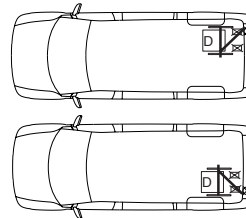
Part no. 503920

Citroen Jumper Y
Citroen Jumpy X
Fiat Ducato X250
Fiat Talento
Fiat Scudo VX270
Ford Transit Custom V362
MB VITO W 639 & 447
Nissan Primastar
Nissan NV300
Opel Vivaro X83 & X82
Peugeot Boxer Y
Peugeot Expert X
Renault Traffic X83 & X82
Toyota Proace
VW T5 & T6



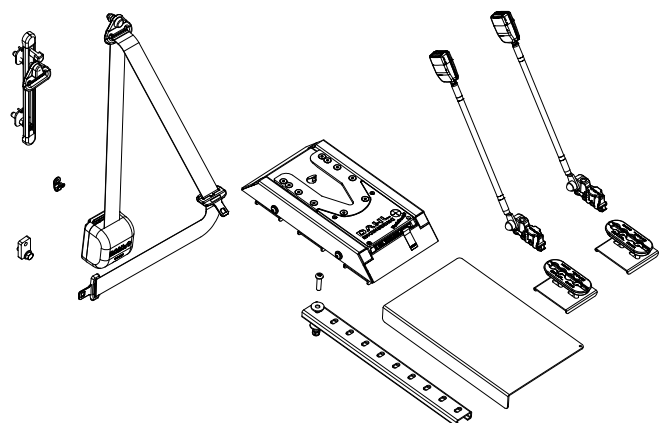
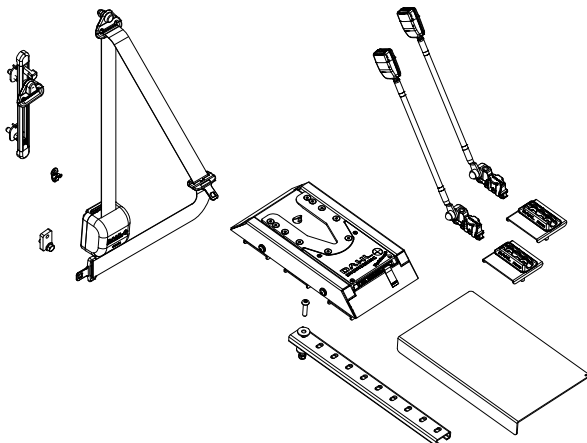
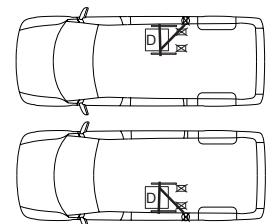
Part no. 503921

Fiat Talento 2016-
MAN TGE 2017-
MB Sprinter 906, 907 & 910
Mitsubishi Express X82 (AU & NZ)
Nissan NV300
Nissan Primastar
Opel Vivaro X83 & X82
Renault Traffic X83 & X82
VW Crafter -2016
VW Crafter 2017-

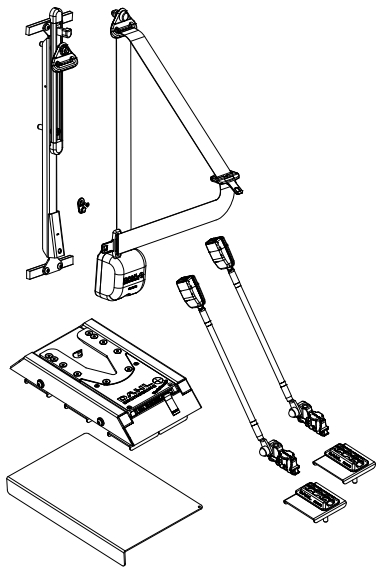


Part no. 503921

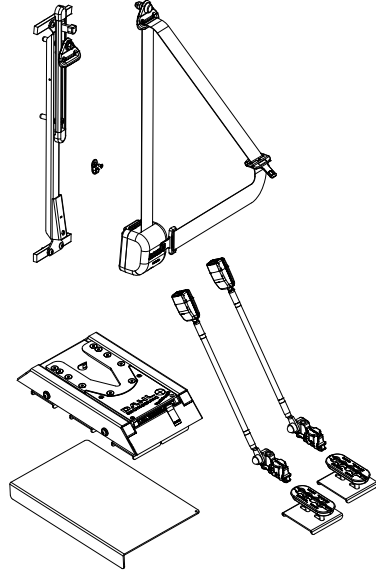
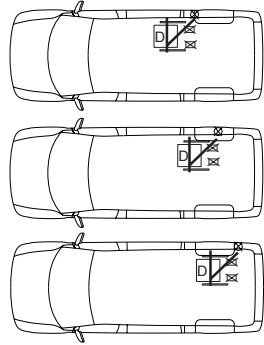
Citroen Jumper Y
Citroen Jumpy X
Fiat Ducato X250
Fiat Scudo X270
Fiat Talento
Ford Transit Custom V362
MB VITO W 639 & 447
Nissan Primastar
Nissan NV300
Peugeot Boxer Y
Peugeot Expert X
Opel Vivaro X83 & X82
Renault Traffic X83 & X82
Toyota Proace
VW T5 & T6



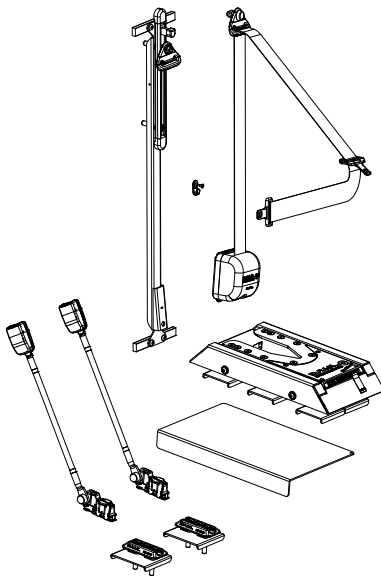
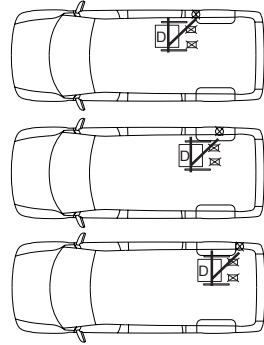
Dahl VarioDock™ System - approved installation kits for wheelchairs ONLY



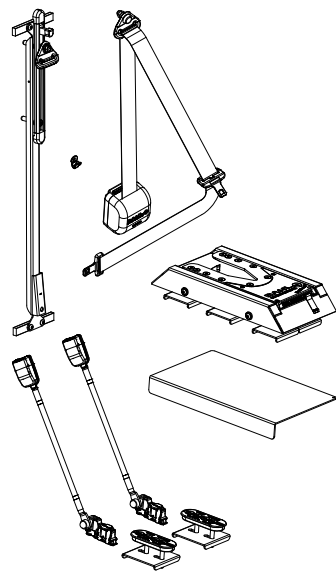
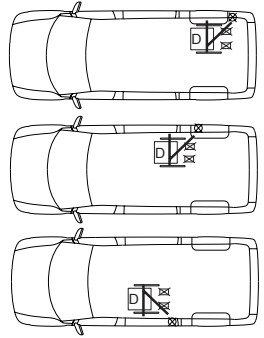
Part no. 503922
VW T5 & T6



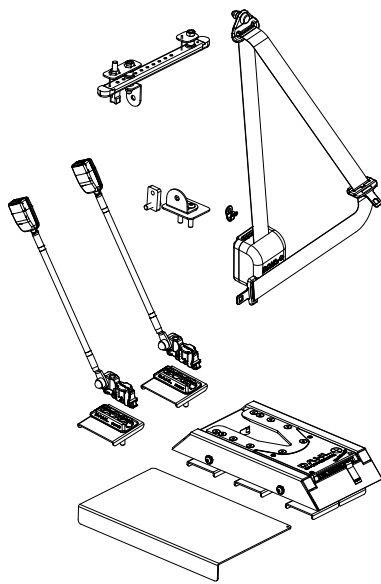
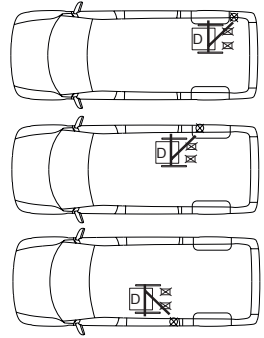
Part no. 503923
VW T5 & T6



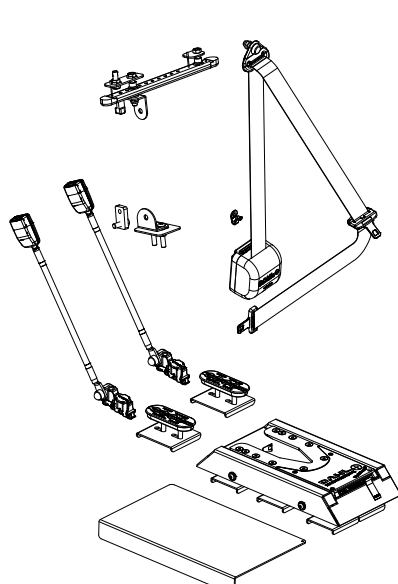
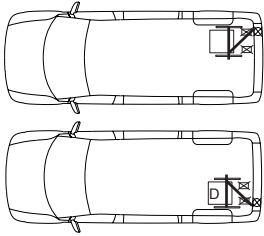
Part no. 503924
MB Sprinter
906 & 907 & 910
VW Crafter (2006-2016)



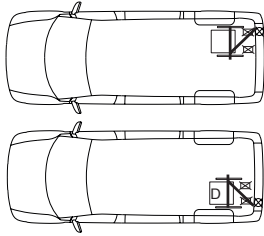
Part no. 503925
MB Sprinter
906 & 907 & 910
VW Crafter (2006-2016)



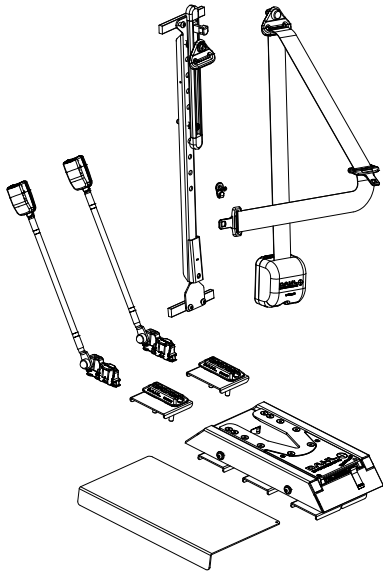
Part no. 503926
Citroën Jumpy X
Fiat Scudo X270
Ford Transit Custom V362
MB Vito & V-Class W447
Peugeot Expert X
Toyota ProAce
VW T5 & T6



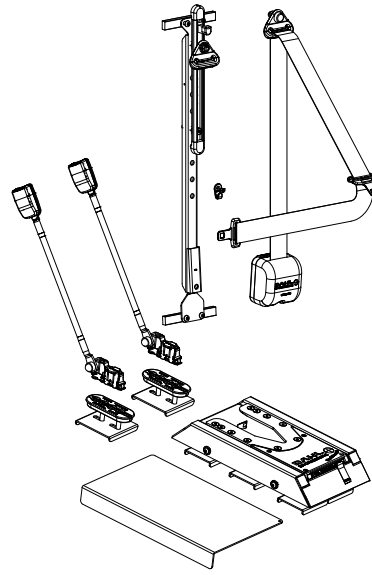
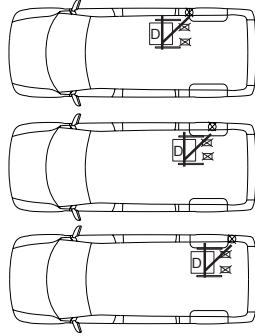
Part no. 503927
Citroën Jumpy X
Fiat Scudo X270
Ford Transit Custom V362
MB Vito & V-Class W447
Peugeot Expert X
Toyota ProAce
VW T5 & T6



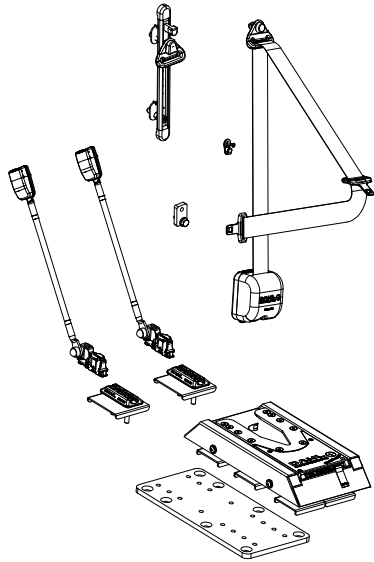
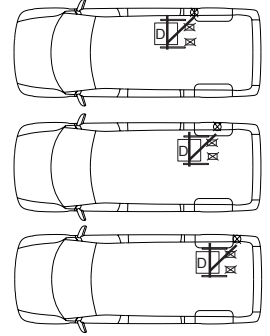
Dahl VarioDock™ System - approved installation kits for wheelchairs ONLY



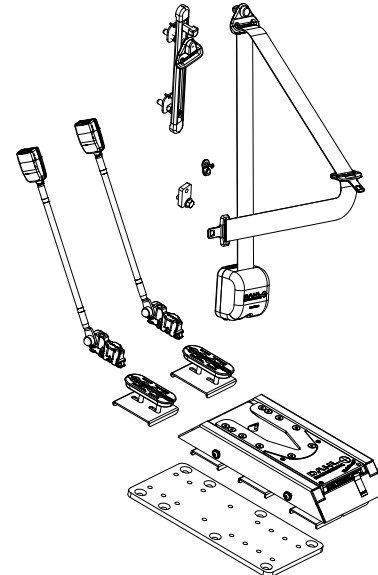
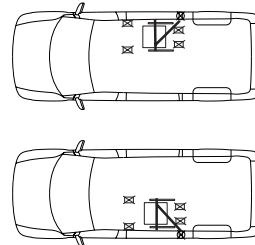
Part no. 503928
 Citroën Jumper Y
 Fiat Ducato X250
 Peugeot Boxer Y



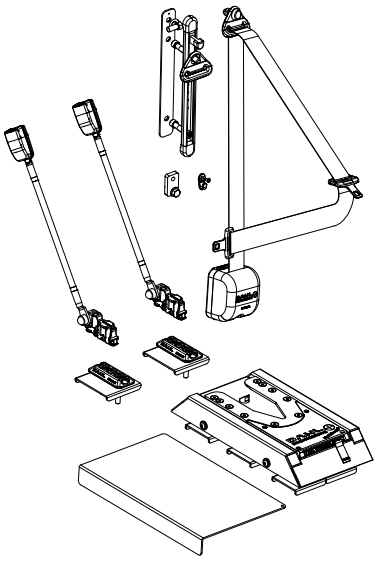
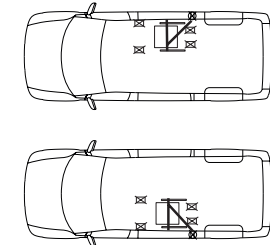
Part no. 503929
 Citroën Jumper Y
 Fiat Ducato X250
 Peugeot Boxer Y



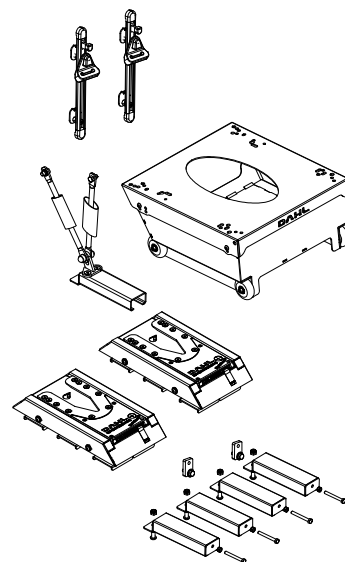
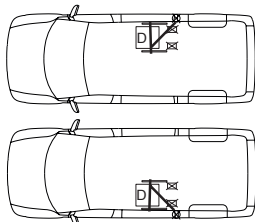
Part no. 503930
 Nissan NV 400
 Opel Movano X62
 Renault Master X62



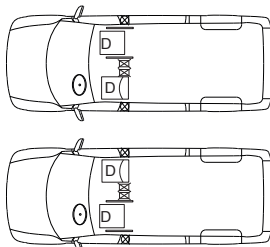
Part no. 503931
 Nissan NV 400
 Opel Movano X62
 Renault Master X62



Part no. 503932
 Ford Transit V363

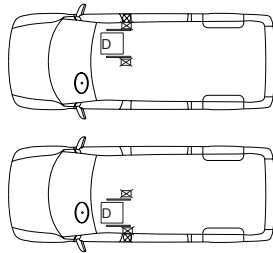
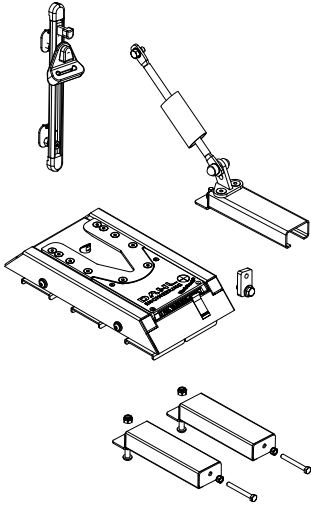


Part no. 503933
 GM Coachwork
 Drop floor conversion:
 VW Caravelle SE Colorado



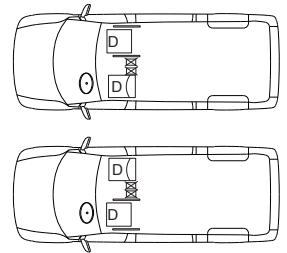
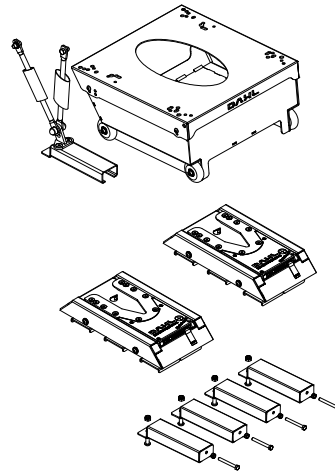
Part no. 503934

GM Coachwork
Drop floor conversion:
VW Caravelle SE Colorado



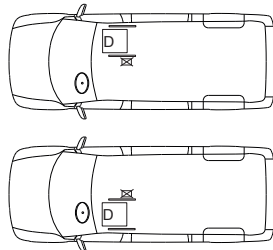
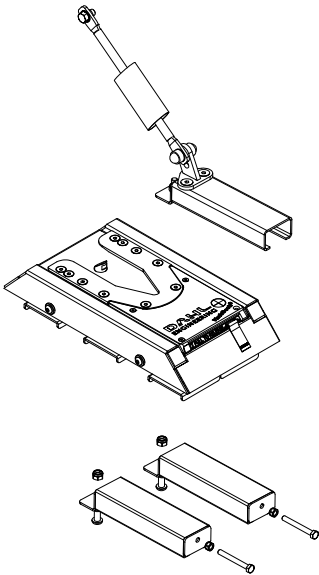
Part no. 503935

GM Coachwork
Drop floor conversion:
VW Caravelle SE Colorado



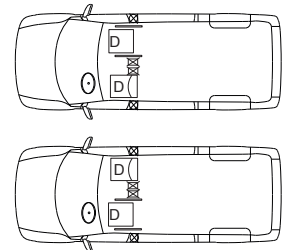
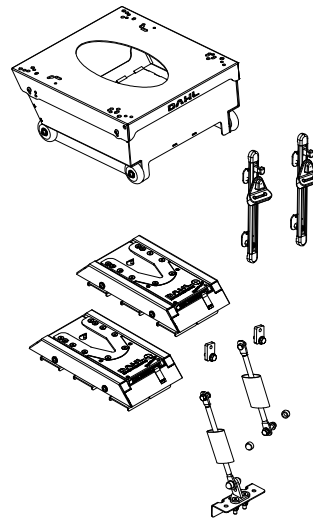
Part no. 503936

GM Coachwork
Drop floor conversion:
VW Caravelle SE Colorado



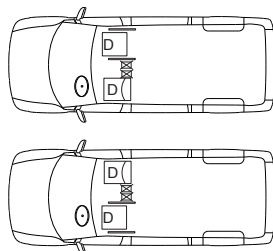
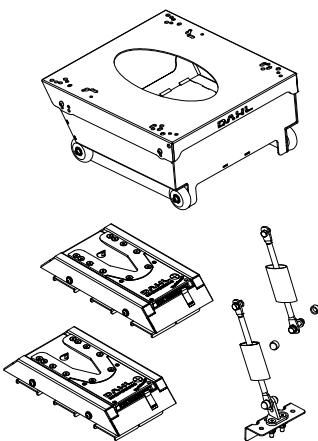
Part no. 503937

Zawatzky Drop Floor
Conversion:
VW T6 Centervan



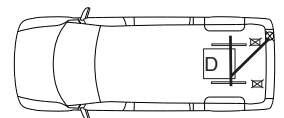
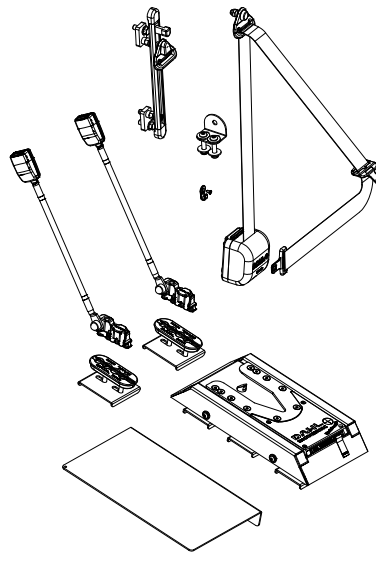
Part no. 503938

Zawatzky Drop Floor
Conversion:
VW T6 Centervan

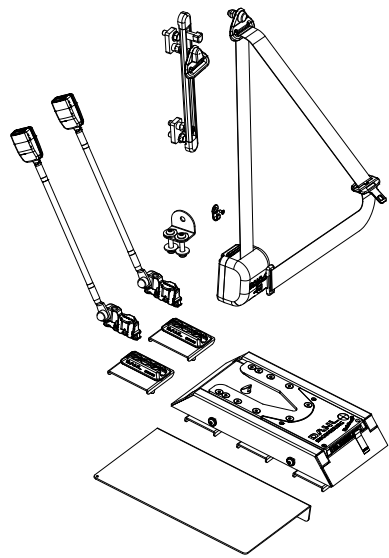


Part no. 503939

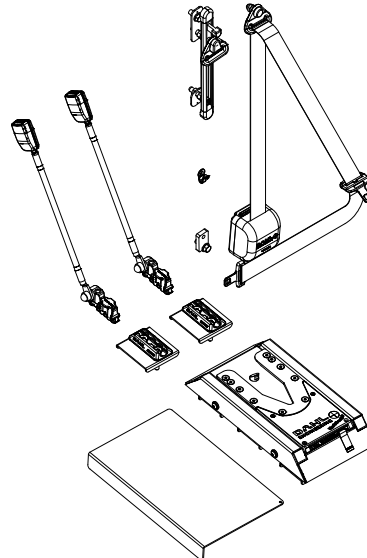
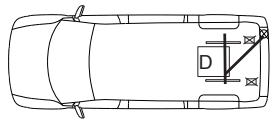
Fiat Doblo
High roof SWB & LWB
Opel Combo
High roof SWB & LWB



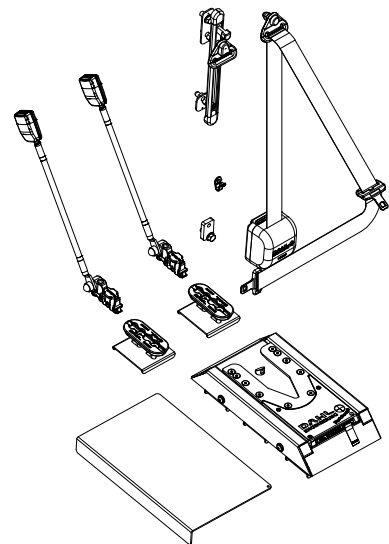
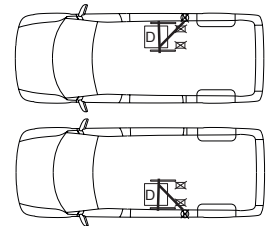
Dahl VarioDock™ System - approved installation kits for wheelchairs ONLY



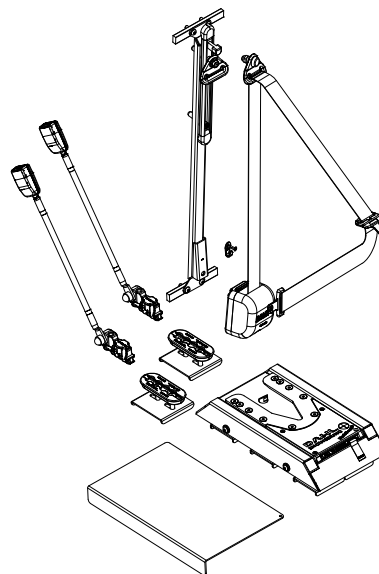
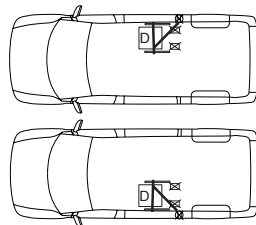
Part no. 503940
 Fiat Doblo
 High roof SWB & LWB
 Opel Combo
 High roof SWB & LWB



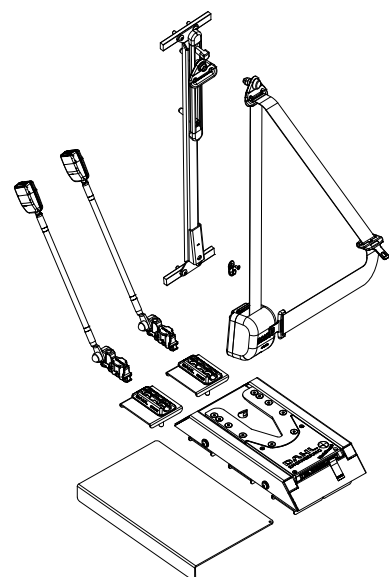
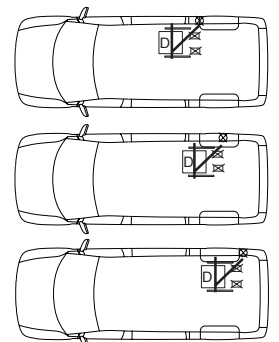
Part no. 503941
 VW Crafter 2017-
 MAN TGE 2017-



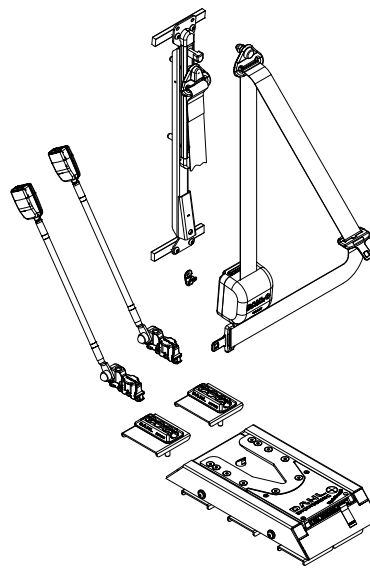
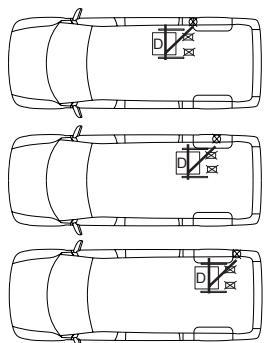
Part no. 503942
 VW Crafter 2017-
 MAN TGE 2017-



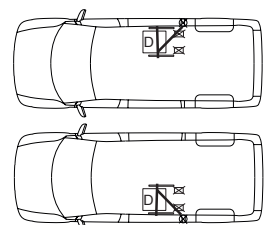
Part no. 503943
 VW Crafter 2017-
 MAN TGE 2017-



Part no. 503944
 VW Crafter 2017-
 MAN TGE 2017-

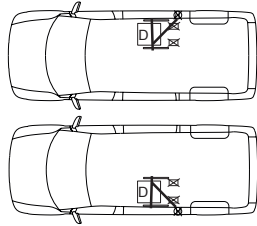
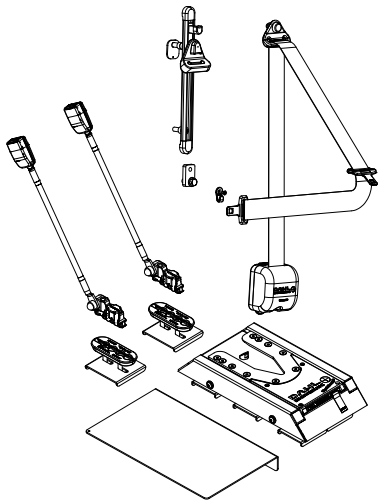


Part no. 503945
 Nissan NV 200



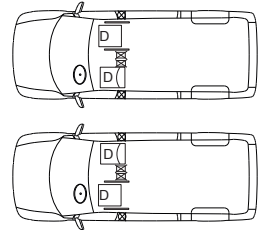
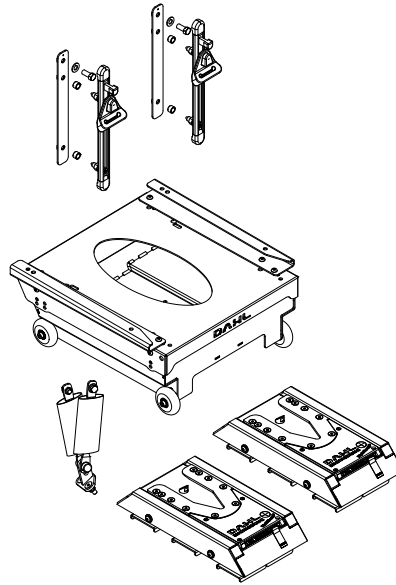
Part no. 503946

Citroën Jumpy & Spacetourer KO
 Opel Zafira Life
 Peugeot Expert & Traveller KO
 Toyota Proace & Proace Verso 2016-



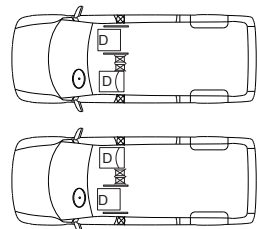
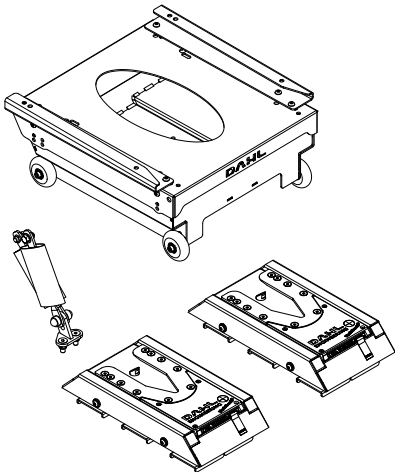
Part no. 503947

ITEK Drop Floor
 Conversion:
 VW Caddy Active



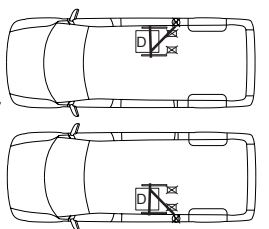
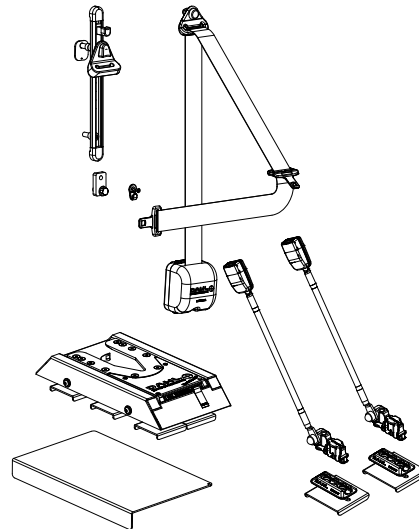
Part no. 503948

ITEK Drop Floor
 Conversion:
 VW Caddy Active



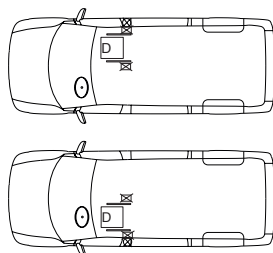
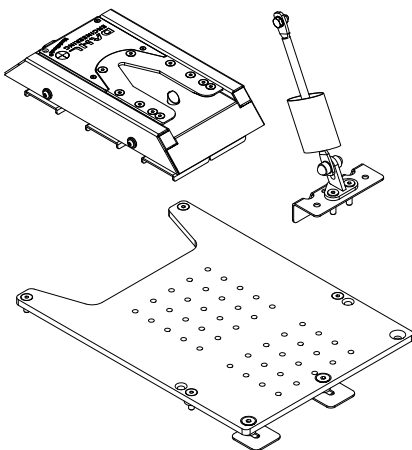
Part no. 503949

Citroën Jumpy & Spacetourer KO
 Opel Zafira Life
 Peugeot Expert & Traveller KO
 Toyota Proace & Proace Verso 2016-



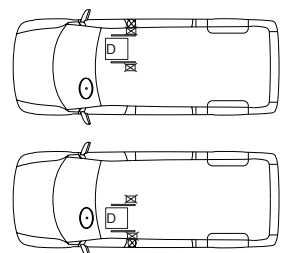
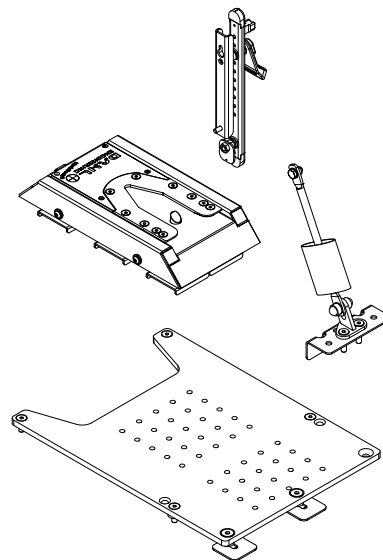
Part no. 503950

Citroën Jumpy & Spacetourer KO
 Opel Zafira Life
 Peugeot Expert & Traveller KO
 Toyota Proace & Proace Verso 2016-



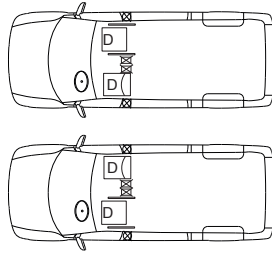
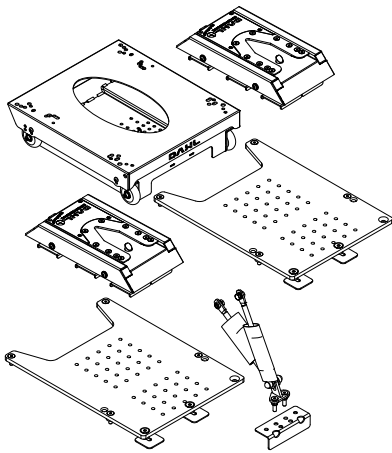
Part no. 503951

Citroën Jumpy & Spacetourer KO
 Opel Zafira Life
 Peugeot Expert & Traveller KO
 Toyota Proace & Proace Verso 2017-



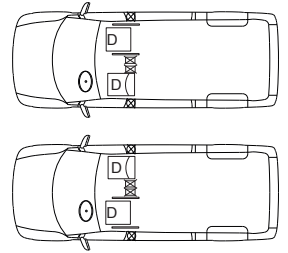
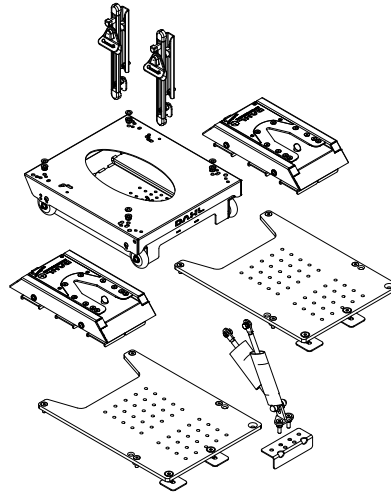
Part no. 503952

Citroën Jumpy & Spacetourer KO
 Opel Zafira Life
 Peugeot Expert & Traveller KO
 Toyota Proace & Proace Verso 2016-



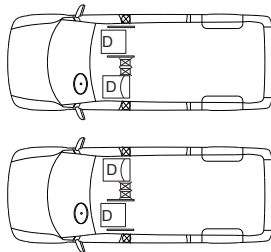
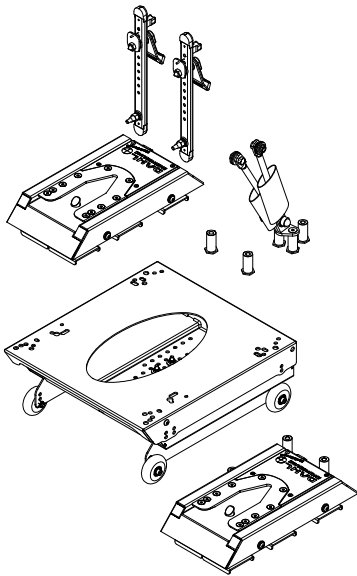
Part no. 503953

Citroën Jumpy & Spacetourer KO
 Opel Zafira Life
 Peugeot Expert & Traveller KO
 Toyota Proace & Proace Verso 2016-



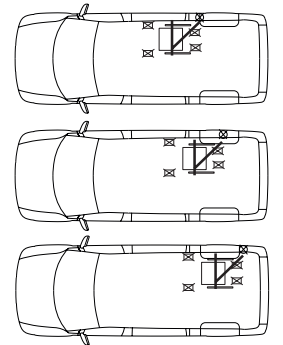
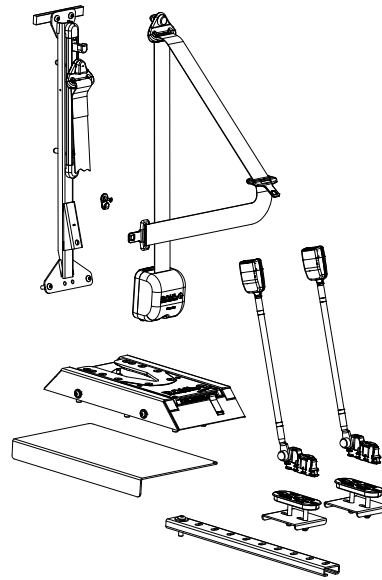
Part no. 503953

Tripod/Allied Drop Floor Conversion:
 Citroën Berlingo
 Peugeot Partner



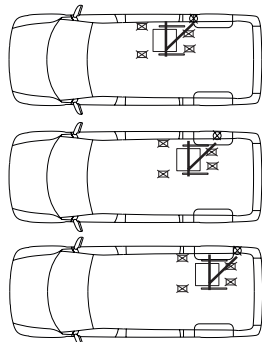
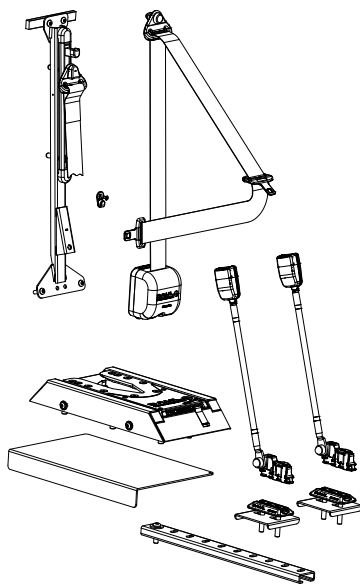
Part no. 503005

MB Vito
 MB V-Class 447



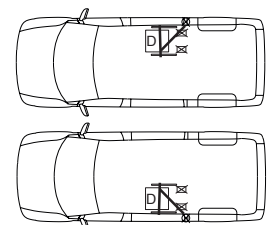
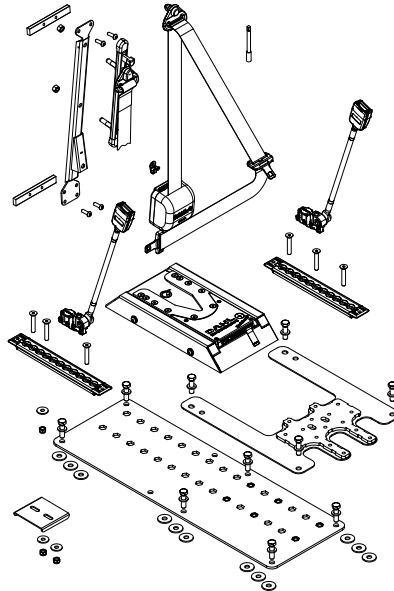
Part no. 503007

MB Vito
 MB V-Class 447

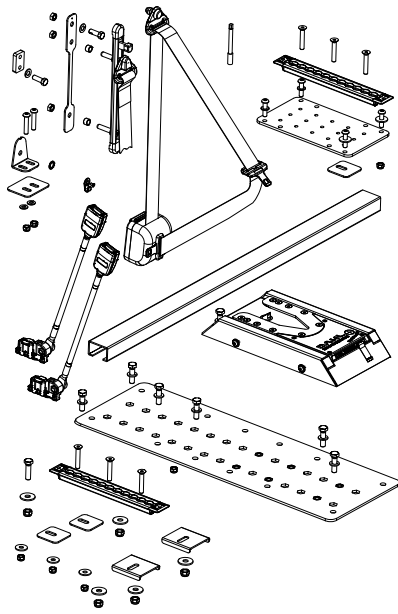


Part no. 500222 *

Ford Transit Custom V710
 VW New Transporter / Caravelle 2025-

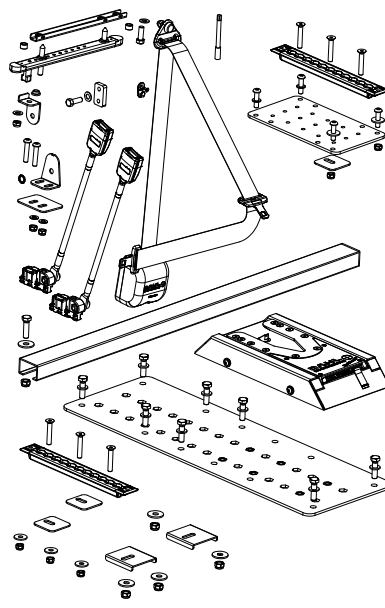
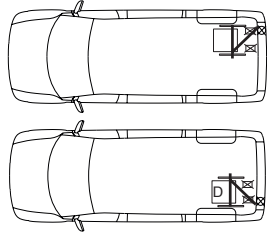


* See also compatibility list on page 10.



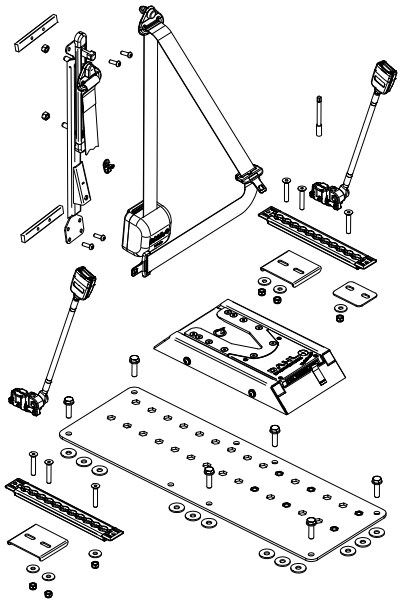
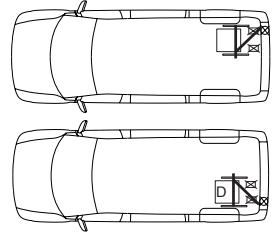
Part no. 500255 *
 Ford Transit Custom V710
 VW New Transporter /
 Caravelle 2025-

**FMVSS/CMVSS
 210**



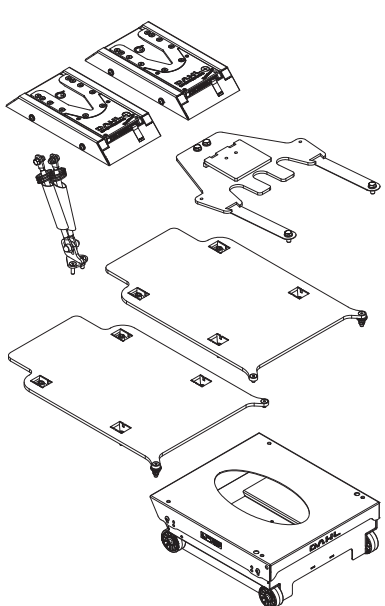
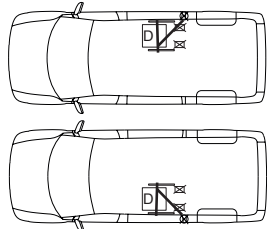
Part no. 500256 *
 Ford Transit Custom V710
 VW New Transporter /
 Caravelle 2025-

**FMVSS/CMVSS
 210**



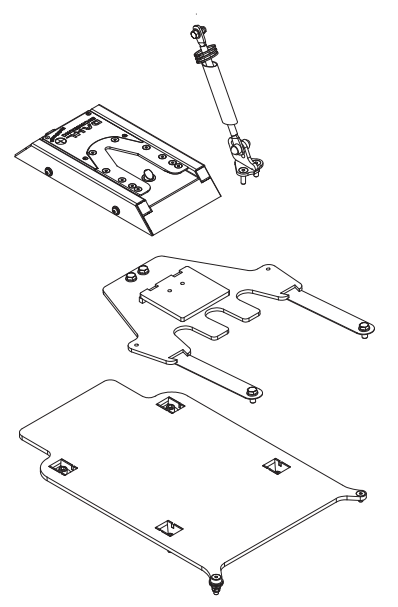
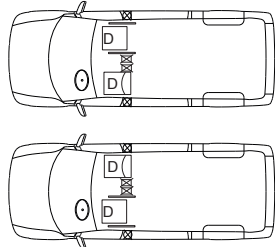
Art. no. 504064 *
 Ford Transit Custom V710
 VW New Transporter /
 Caravelle 2025-

**FMVSS/CMVSS
 210**



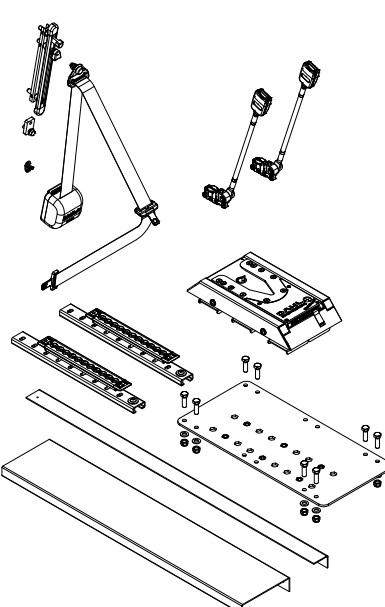
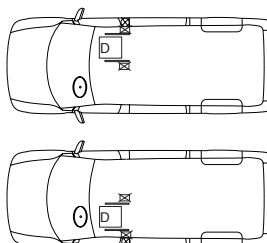
Art. no. 504148 *
 Ford Transit Custom V710
 VW New Transporter /
 Caravelle 2025-

**FMVSS/CMVSS
 207/210**



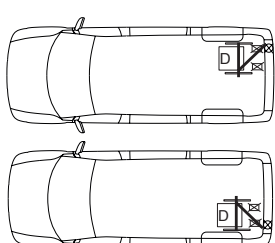
Art. no. 504150 *
 Ford Transit Custom V710
 VW New Transporter /
 Caravelle 2025-

**FMVSS/CMVSS
 207/210**



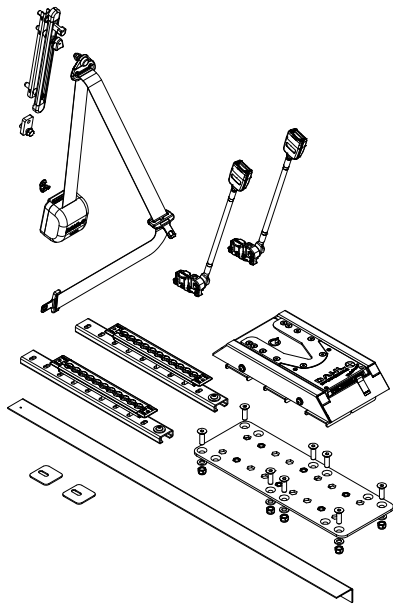
Art. no. 504159
 Renault Master XDD
 Nissan Interstar 2024-

**FMVSS/CMVSS
 210**



* See also compatibility list on page 10.

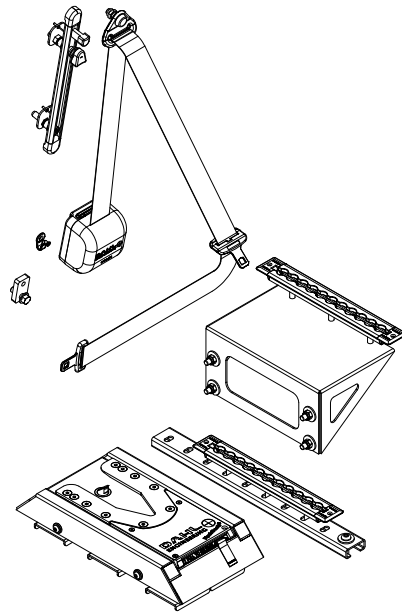
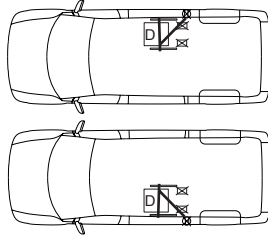
Dahl VarioDock™ System - approved installation kits for wheelchairs ONLY



Art. no. 504163

Renault Master XDD
Nissan Interstar 2024-

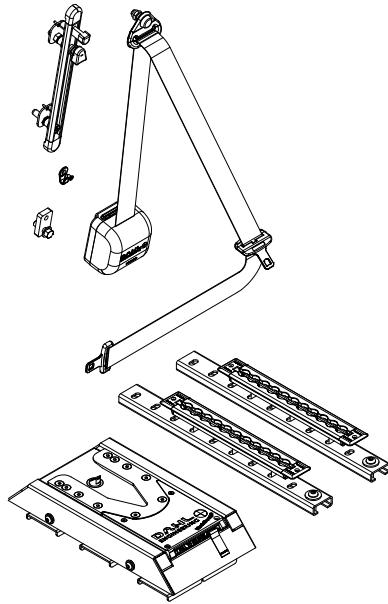
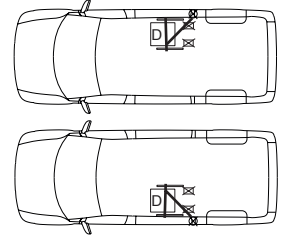
FMVSS/CMVSS
210



Art. no. 504166

Mercedes Sprinter
907/9710

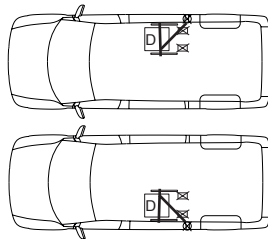
FMVSS/CMVSS
210



Art. no. 504168

Mercedes Sprinter
907/9710

FMVSS/CMVSS
210



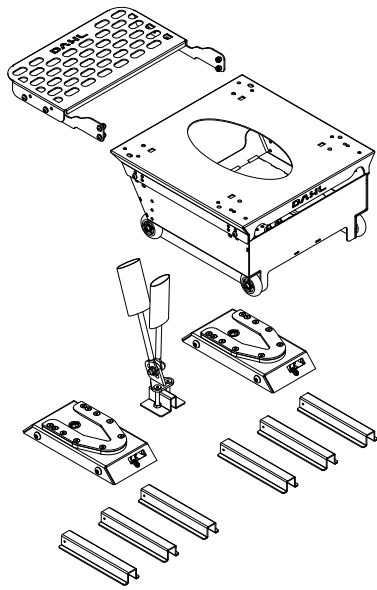
Dahl Docking Station MK II

is our second generation Docking Station, which enables the tiedown of wheelchairs from many different wheelchair manufacturers.

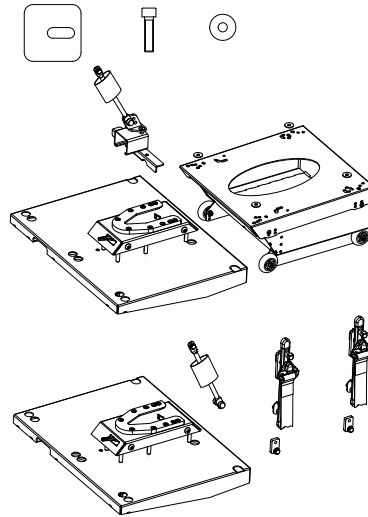
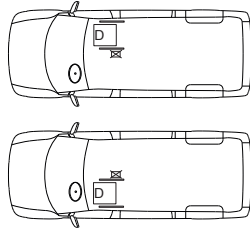


- Complies with ISO 10542-1, ISO 7176-19 and the strict test requirements according to ECE regulations 14 and 17 regarding testing of seats and seat belt anchorages in vehicle category M1.
- Height adjustment through use of spacers
- Tested for wheelchairs weighing up to 200 kg plus user
- Crash tested and CE marked with approx. 160+ wheelchair models.

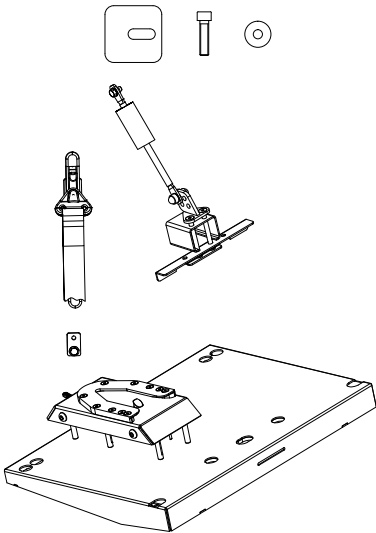
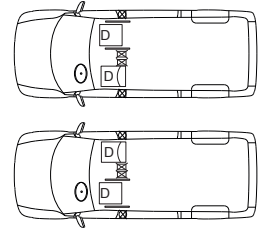
Dahl Docking Station MK II System - approved installation kits



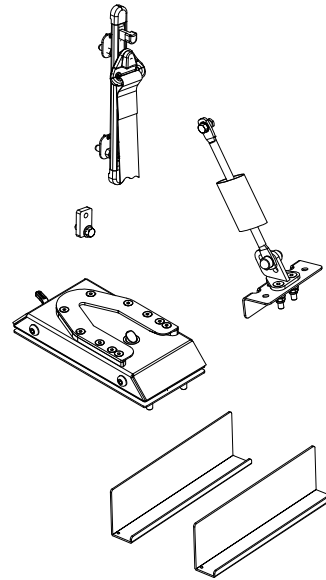
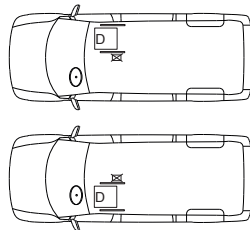
Part no. 501551
 ACA Dropfloor
 Conversion:
 Jeep Renegade



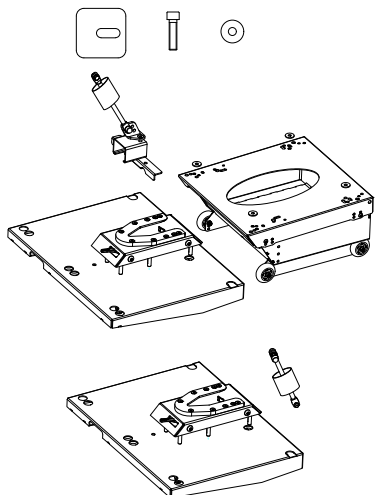
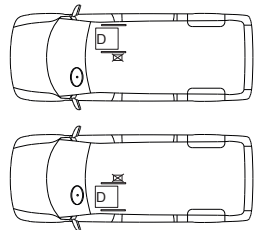
Part no. 501970
 MB Sprinter 906 & 907
 VW Crafter (2006-2016)



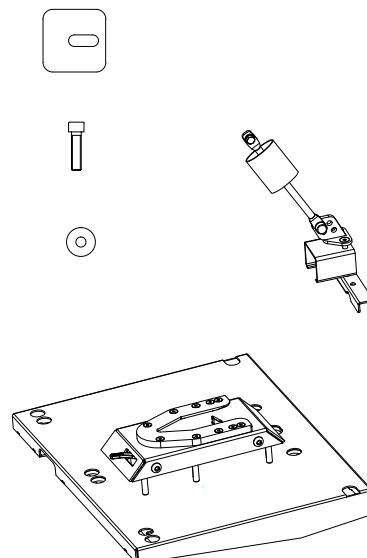
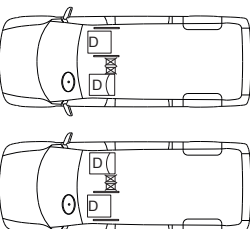
Part no. 501971
 MB Sprinter 906 & 907
 VW Crafter (2006-2016)



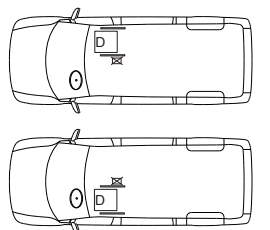
Part no. 501973
 VW T5 & T6



Part no. 502034
 MB Sprinter 906 & 907
 VW Crafter (2006-2016)



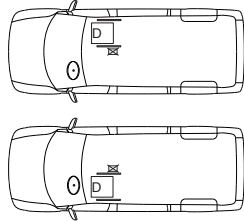
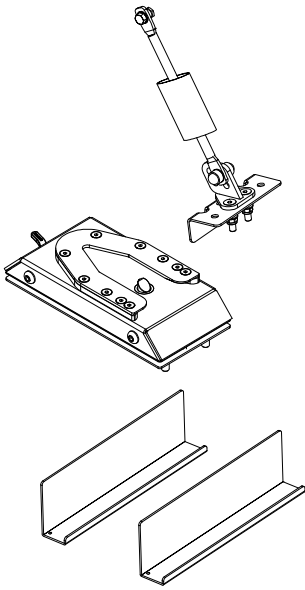
Part no. 502035
 MB Sprinter 906 & 907
 VW Crafter (2006-2016)



Dahl Docking Station MK II System - approved installation kits

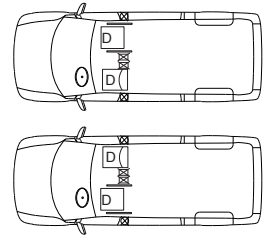
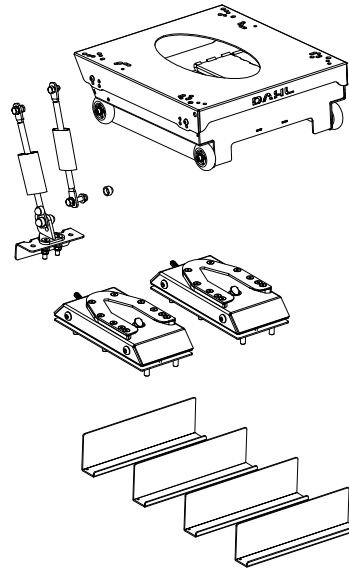
Part no. 502036

VW T5 & T6



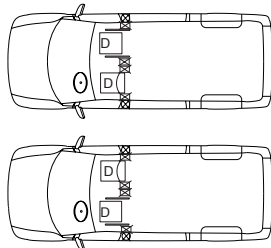
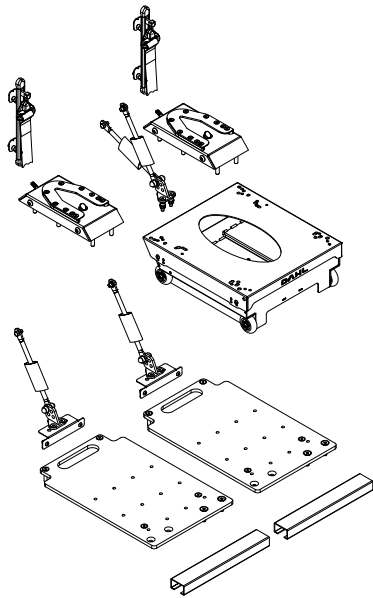
Part no. 502037

VW T5 & T6



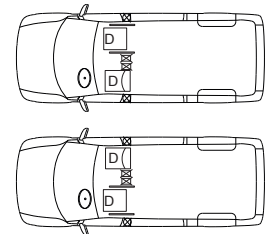
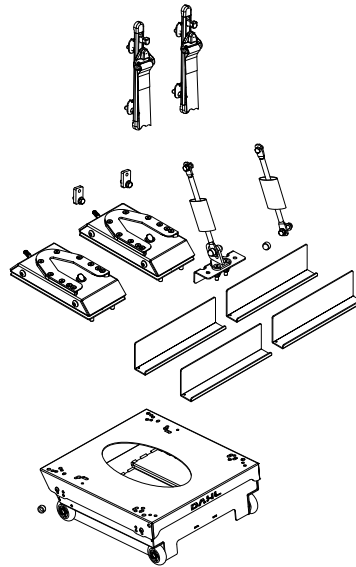
Part no. 502039

Renault Master X62
Opel Movano X62
Nissan NV400



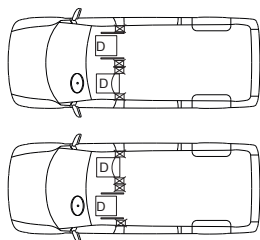
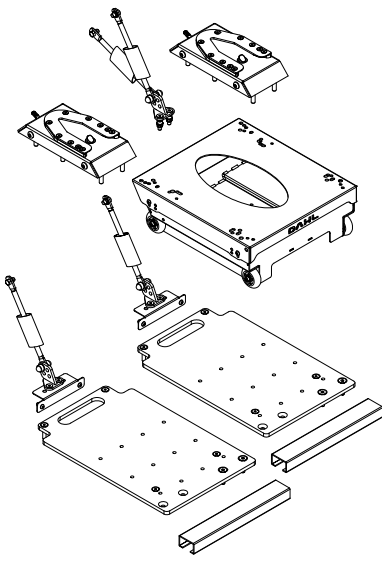
Part no. 502040

VW T5 & T6



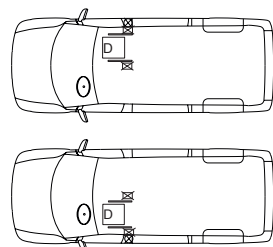
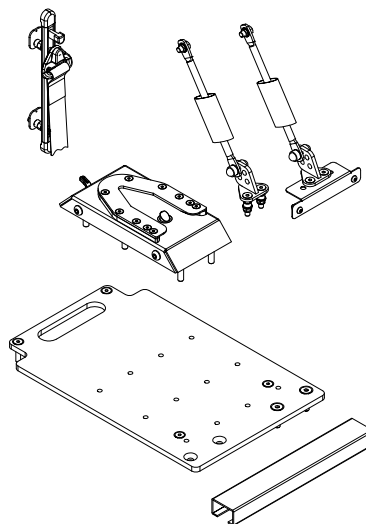
Part no. 502041

Renault Master X62
Opel Movano X62
Nissan NV400

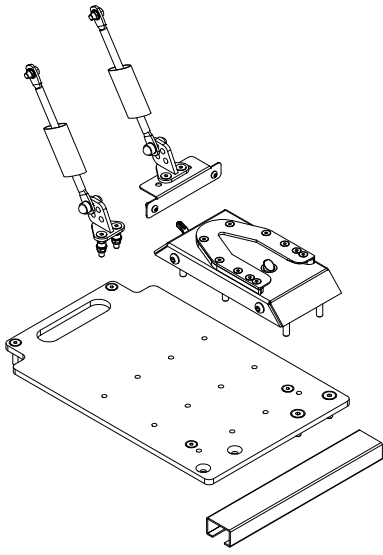


Part no. 502042

Renault Master X62
Opel Movano X62
Nissan NV400

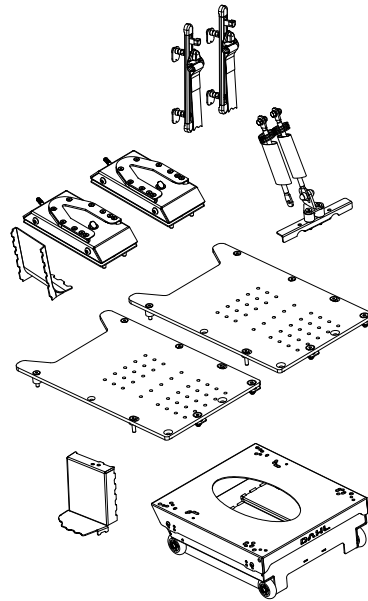
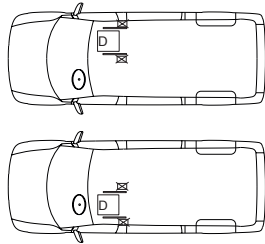


Dahl Docking Station MK II System - approved installation kits



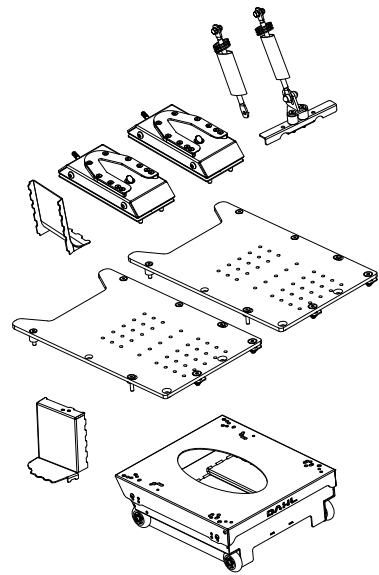
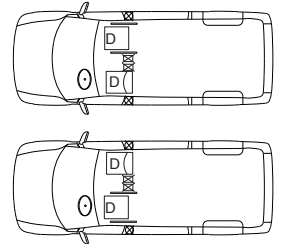
Part no. 502043

Renault Master X62
Opel Movano X62
Nissan NV400



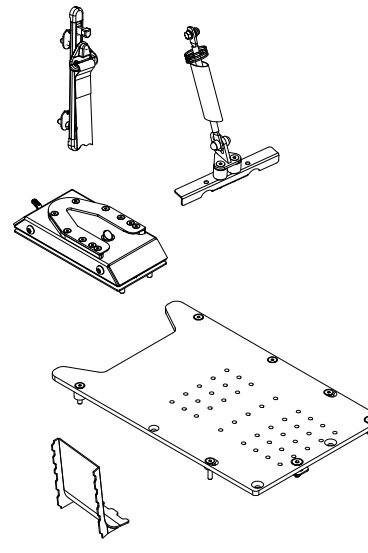
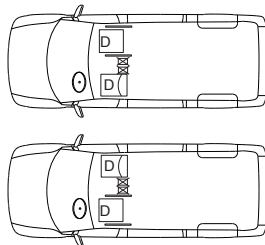
Part no. 502163

MB Vito & V-Class W447



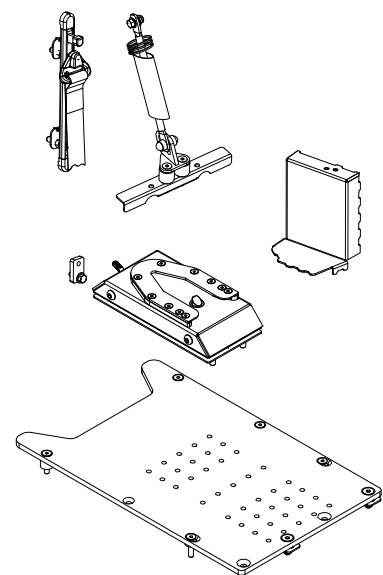
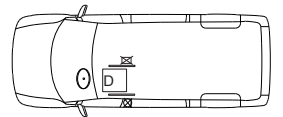
Part no. 502164

MB Vito & V-Class W447



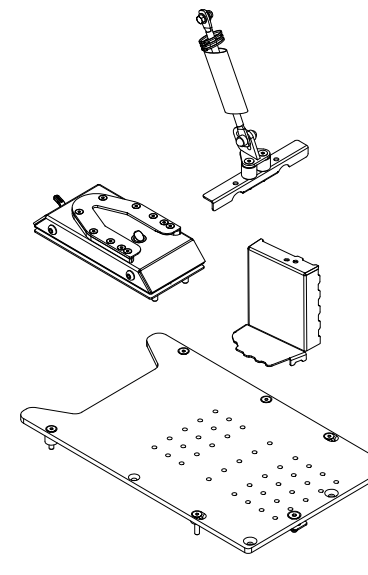
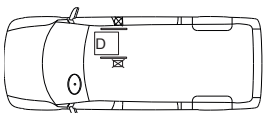
Part no. 502165

MB Vito & V-Class W447



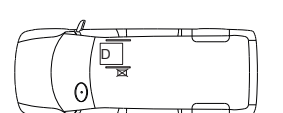
Part no. 502166

MB Vito & V-Class W447



Part no. 502167

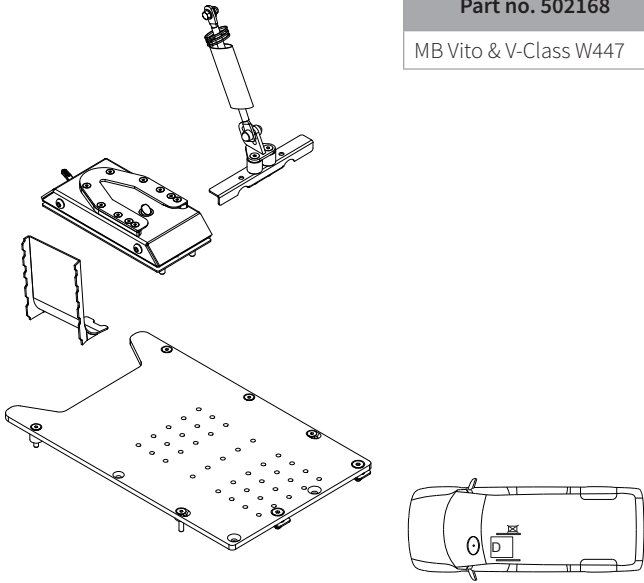
MB Vito & V-Class W447



Dahl Docking Station MK II System - approved installation kits

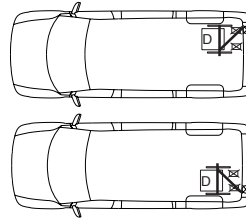
Part no. 502168

MB Vito & V-Class W447



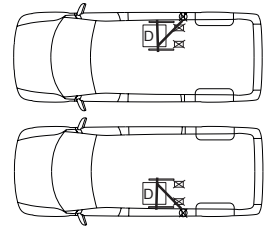
Part no. 502171

Fiat Talento 2016-
 Man TGE 2017-
 MB Sprinter 906 & 907 & 910
 Mitsubishi Express (AU+NZ)
 Nissan NV300
 Nissan Primastar
 Opel Vivaro X83 & X82
 Renault Traffic X83 & X82
 VW Crafter -2016
 VW Crafter 2017-



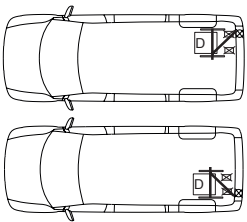
Part no. 502171

Citroën Jumper Y
 Citroën Jumpy X
 Fiat Ducato X250
 Fiat Scudo X270
 Fiat Talento 2016-
 Ford Transit Custom V362
 MB Vito W639 & W447
 Mitsubishi Express (AU+NZ)
 Nissan NV300
 Nissan Primastar
 Opel Vivaro X83 & X82
 Peugeot Boxer Y
 Peugeot Expert X
 Renault Trafic X83 & X82
 Toyota Proace
 VW T5 & T6



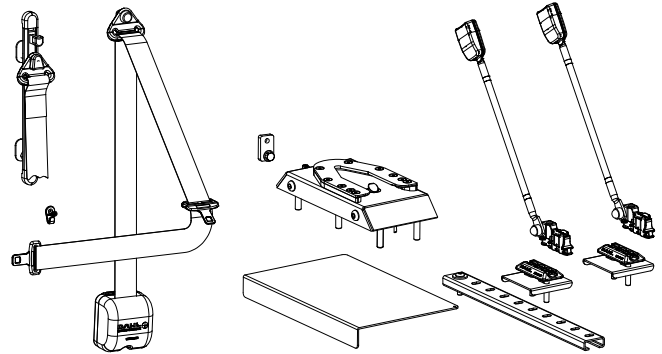
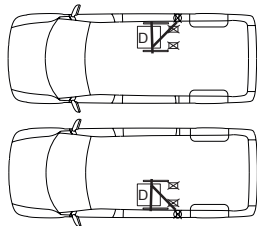
Part no. 502172

Fiat Talento 2016-
 Man TGE 2017-
 MB Sprinter 906 & 907 & 910
 Mitsubishi Express (AU+NZ)
 Nissan NV300
 Nissan Primastar
 Opel Vivaro X83 & X82
 Renault Traffic X83 & X82
 VW Crafter -2016
 VW Crafter 2017-



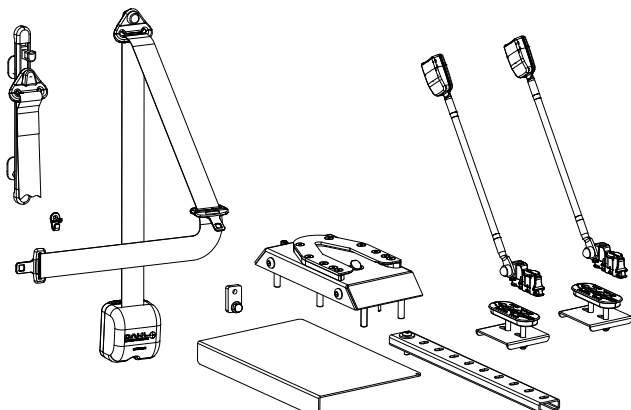
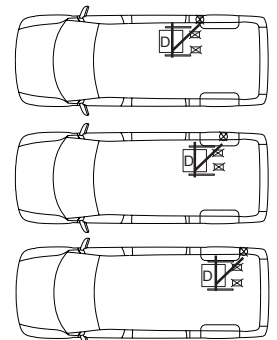
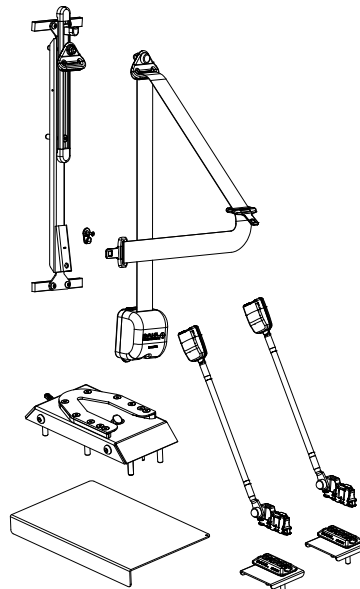
Part no. 502172

Citroën Jumper Y
 Citroën Jumpy X
 Fiat Ducato X250
 Fiat Scudo X270
 Fiat Talento
 Ford Transit Custom V362
 MB Vito W639 & W447
 Mitsubishi Express (AU+NZ)
 Nissan NV300
 Nissan Primastar
 Opel Vivaro X83 & X82
 Peugeot Boxer Y
 Peugeot Expert X
 Renault Trafic X83 & X82
 Toyota Proace
 VW T5 & T6

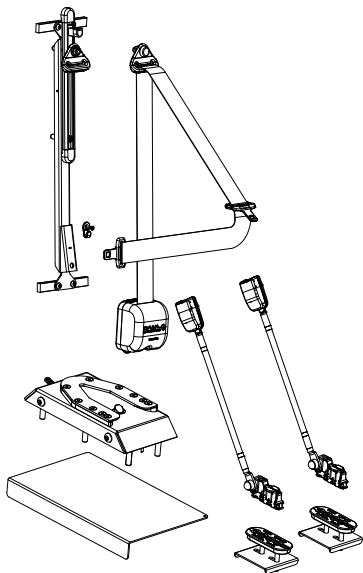


Part no. 502173

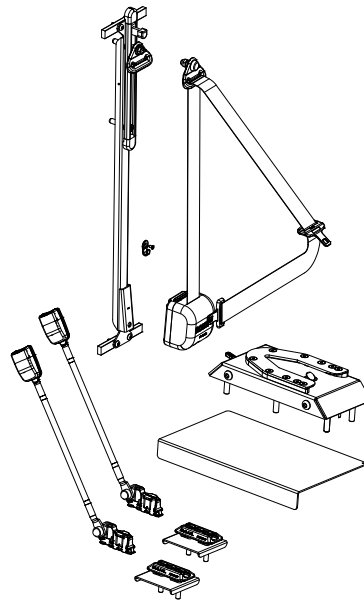
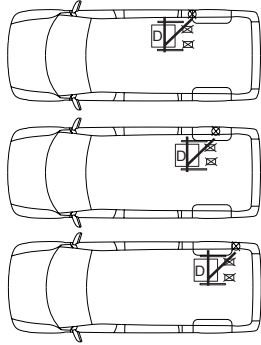
VW T5 & T6



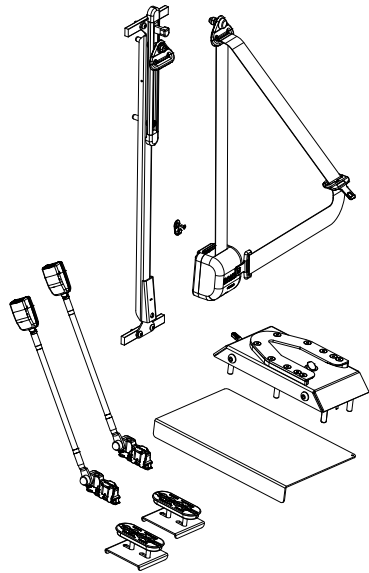
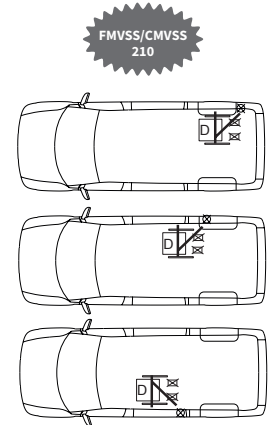
Dahl Docking Station MK II System - approved installation kits



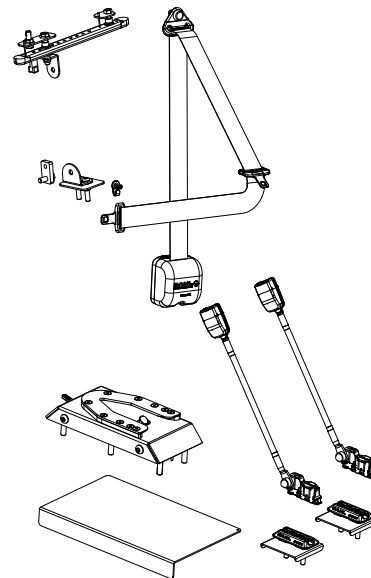
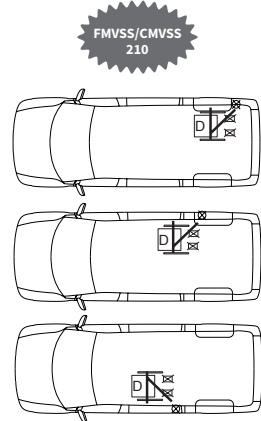
Part no. 502174
VW T5 & T6



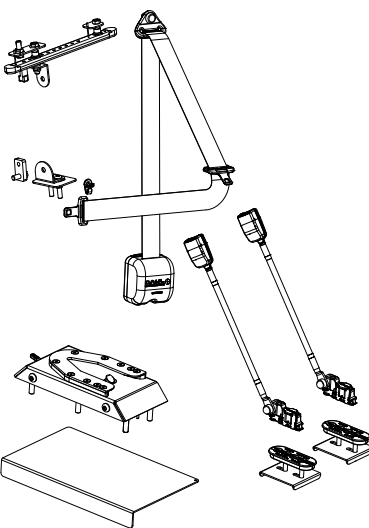
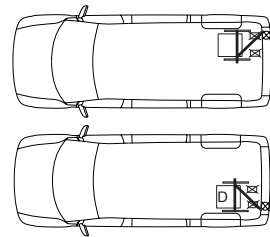
Part no. 502175
MB Sprinter
906 & 907 & 910
VW Crafter (2006-2016)



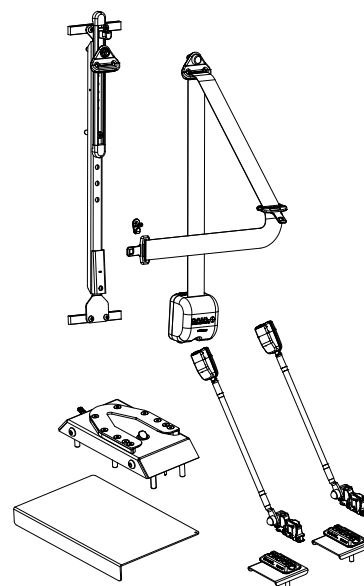
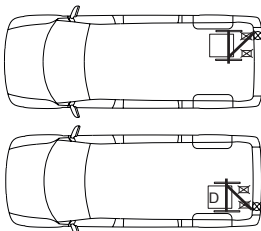
Part no. 502176
MB Sprinter
906 & 907 & 910
VW Crafter (2006-2016)



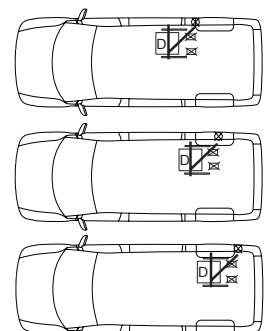
Part no. 502177
Citroën Jumpy X
Fiat Scudo X270
Ford Transit Custom V362
MB Vito & V-Class W447
Peugeot Expert X
Toyota ProAce
VW T5 & T6



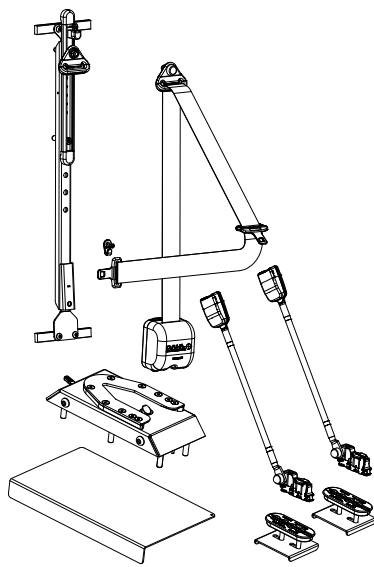
Part no. 502178
Citroën Jumpy X
Fiat Scudo X270
Ford Transit Custom V362
MB Vito & V-Class W447
Peugeot Expert X
Toyota ProAce
VW T5 & T6



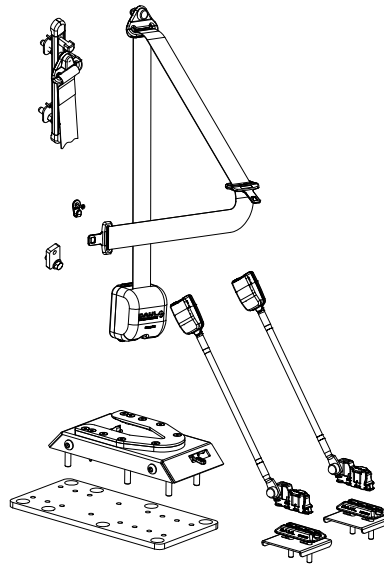
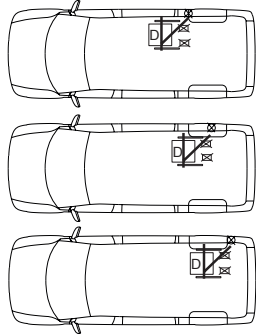
Part no. 502179
Citroën Jumper Y
Fiat Ducato X250
Peugeot Boxer Y



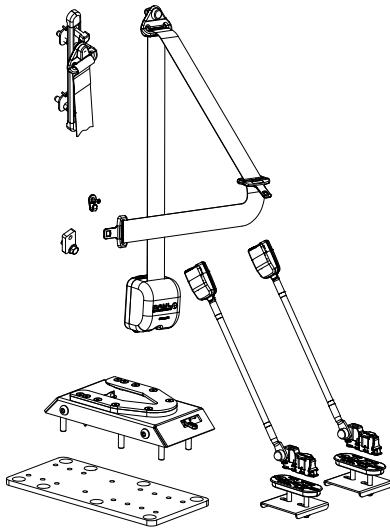
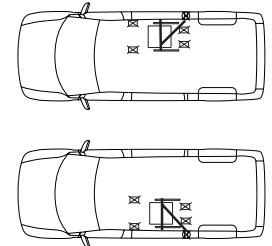
Dahl Docking Station MK II System - approved installation kits



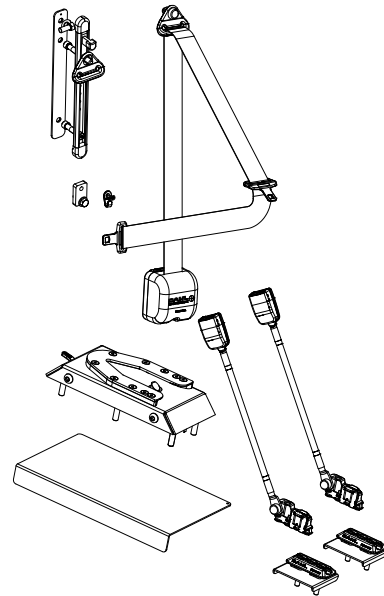
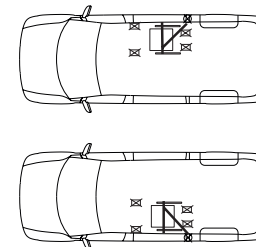
Part no. 502180
 Citroën Jumper Y
 Fiat Ducato X250
 Peugeot Boxer Y



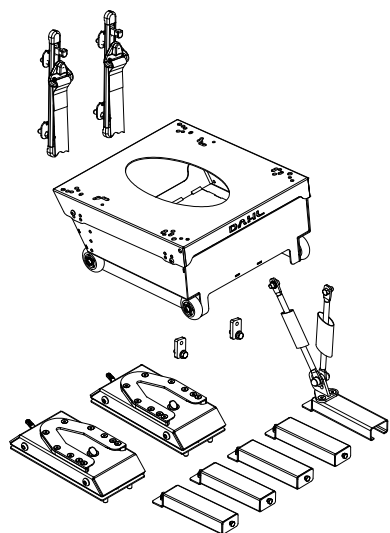
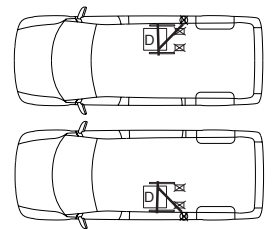
Part no. 502181
 Nissan NV 400
 Opel Movano X62
 Renault Master X62



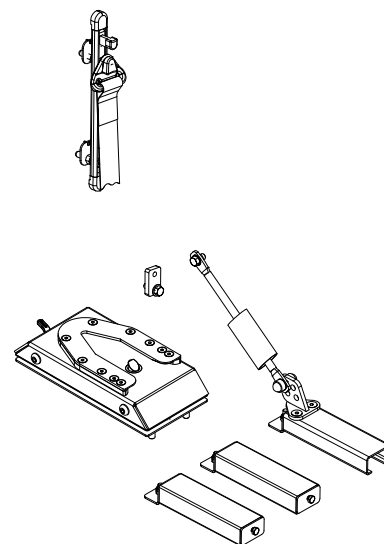
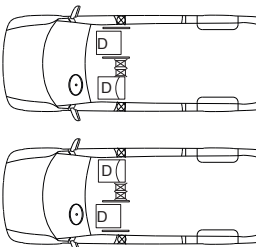
Part no. 502182
 Nissan NV 400
 Opel Movano X62
 Renault Master X62



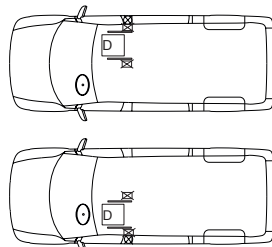
Part no. 502194
 Ford Transit V363



Part no. 502285
 GM Coachwork
 Drop floor conversion:
 VW Caravelle SE Colorado



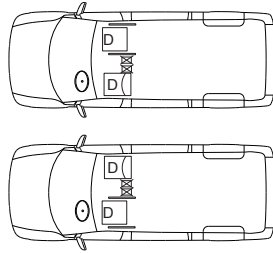
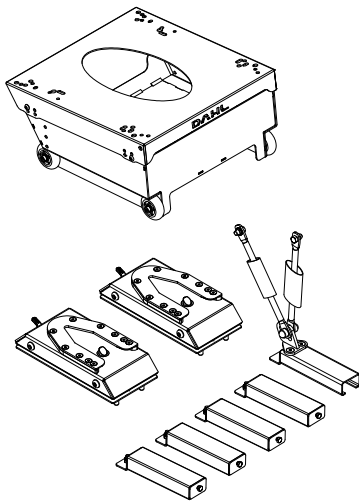
Part no. 502286
 GM Coachwork
 Drop floor conversion:
 VW Caravelle SE Colorado



Dahl Docking Station MK II System - approved installation kits

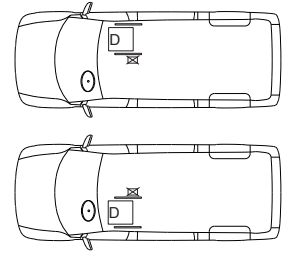
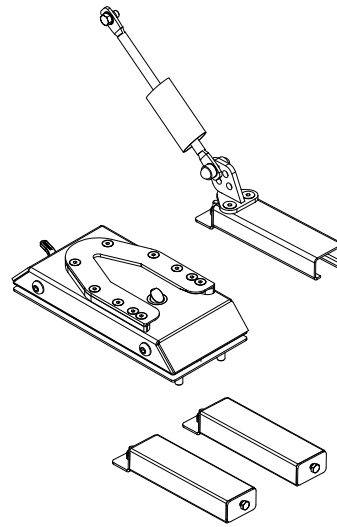
Part no. 502287

GM Coachwork
Drop floor conversion:
VW Caravelle SE Colorado



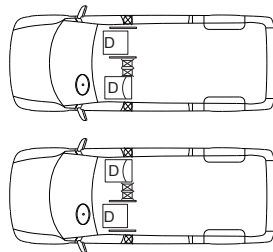
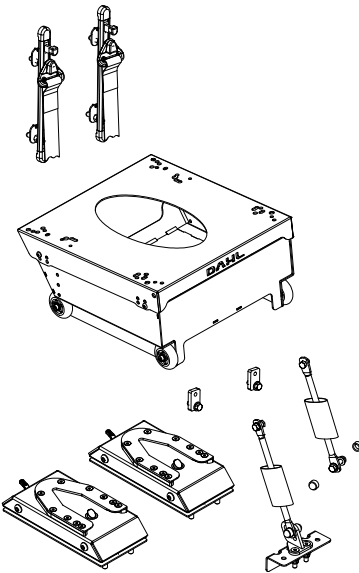
Part no. 502288

GM Coachwork
Drop floor conversion:
VW Caravelle SE Colorado



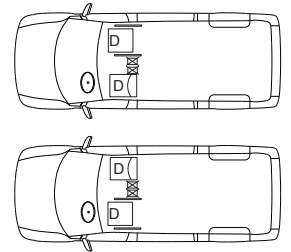
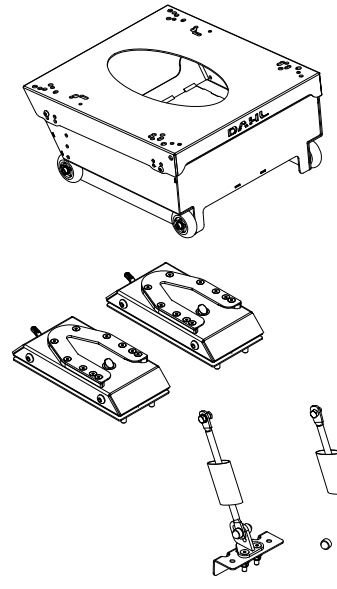
Part no. 502368

Zawatzky Drop Floor
Conversion:
VW Centervan T6



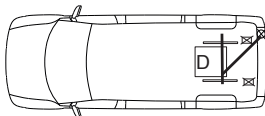
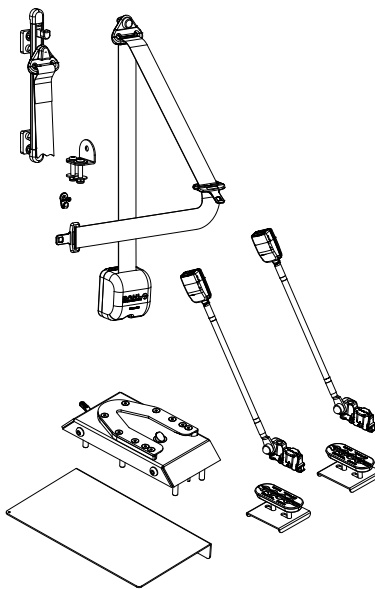
Part no. 502369

Zawatzky Drop Floor
Conversion:
VW Centervan T6



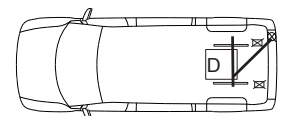
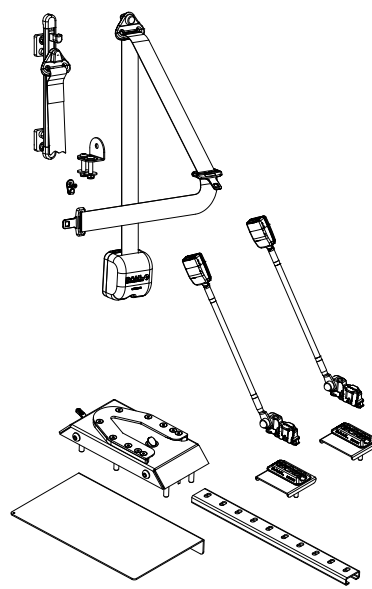
Part no. 503120

Fiat Doblo
High roof SWB & LWB
Opel Combo
High roof SWB & LWB

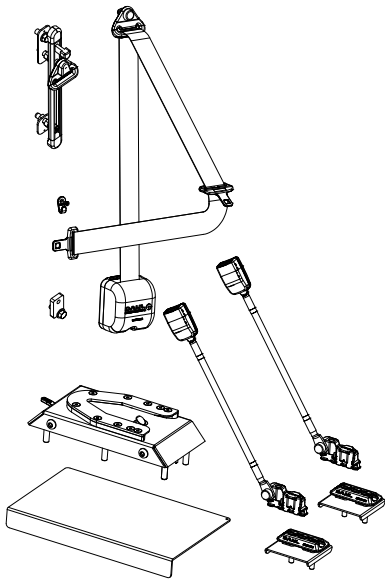


Part no. 503121

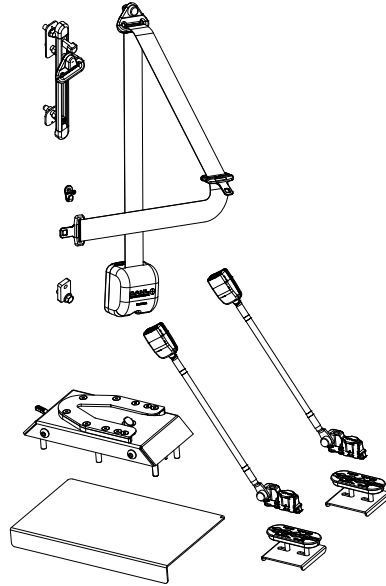
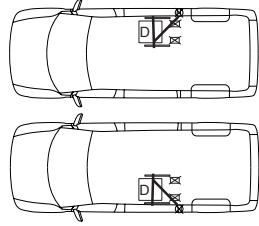
Fiat Doblo
High roof SWB & LWB
Opel Combo
High roof SWB & LWB



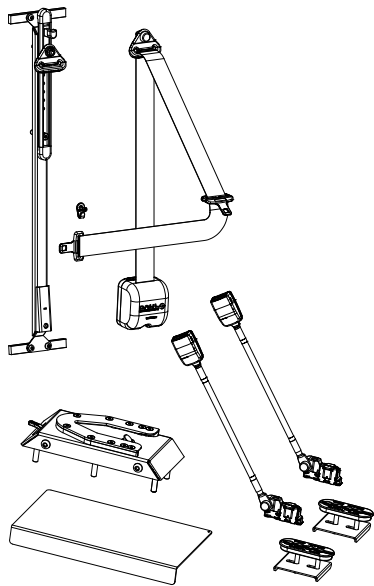
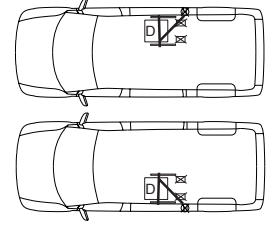
Dahl Docking Station MK II System - approved installation kits



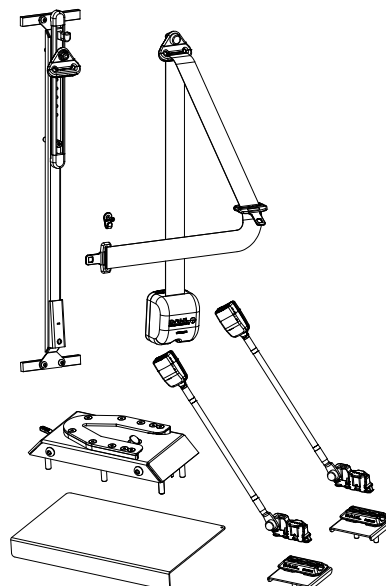
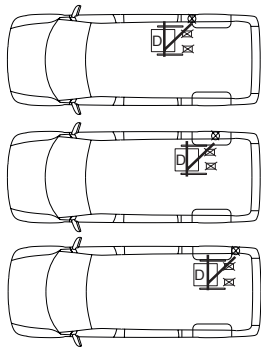
Part no. 503142
 VW Crafter 2017-
 MAN TGE 2017-



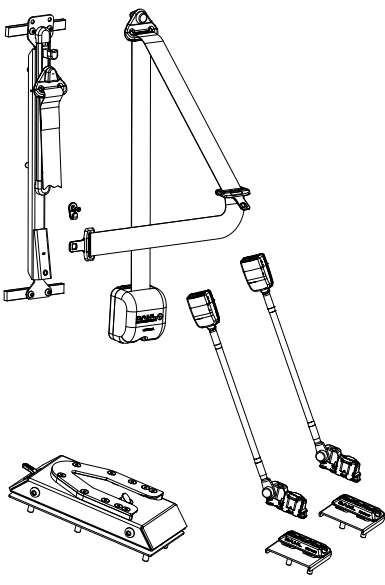
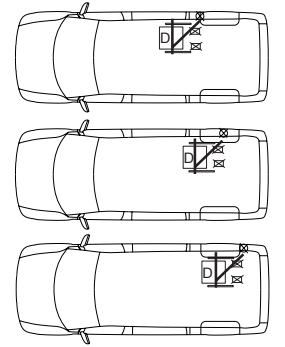
Part no. 503143
 VW Crafter 2017-
 MAN TGE 2017-



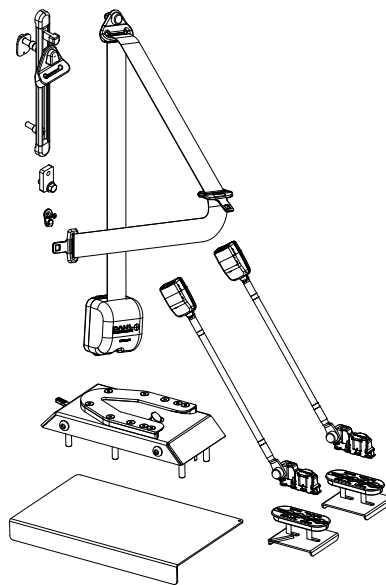
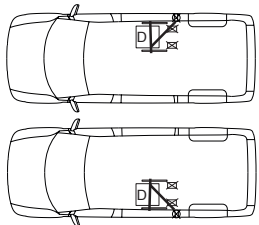
Part no. 503144
 VW Crafter 2017-
 MAN TGE 2017-



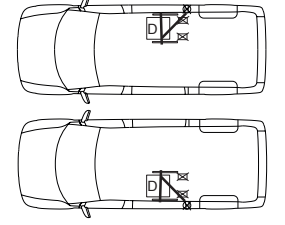
Part no. 503145
 VW Crafter 2017-
 MAN TGE 2017-



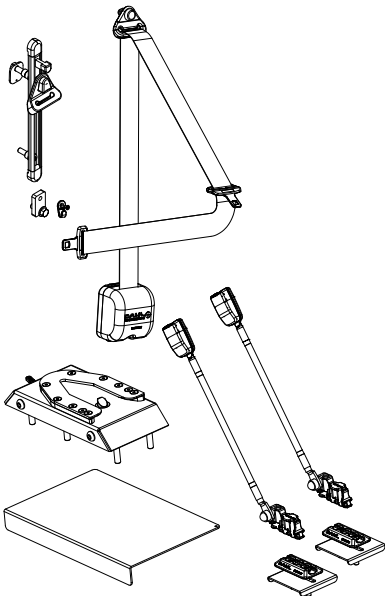
Part no. 503197
 Nissan NV 200



Part no. 503301
 Citroën Jumpy &
 Spacetourer KO
 Opel Zafira Life
 Peugeot Expert &
 Traveller KO
 Toyota Proace &
 Proace Verso 2016-

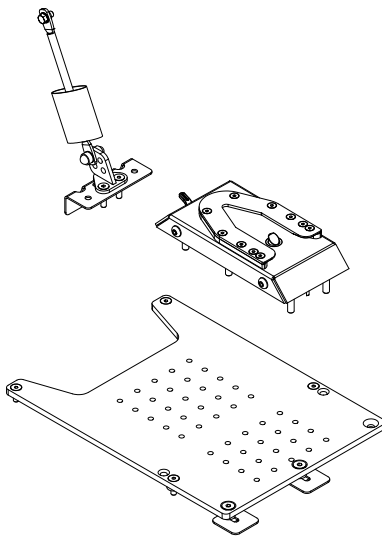
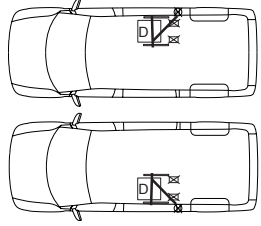


Dahl Docking Station MK II System - approved installation kits



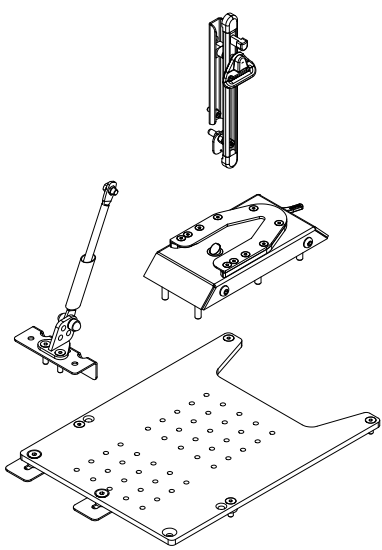
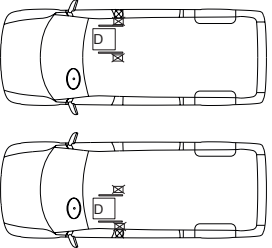
Part no. 503302

Citroën Jumpy & Spacetourer KO
 Opel Zafira Life
 Peugeot Expert & Traveller KO
 Toyota Proace & Proace Verso 2016-



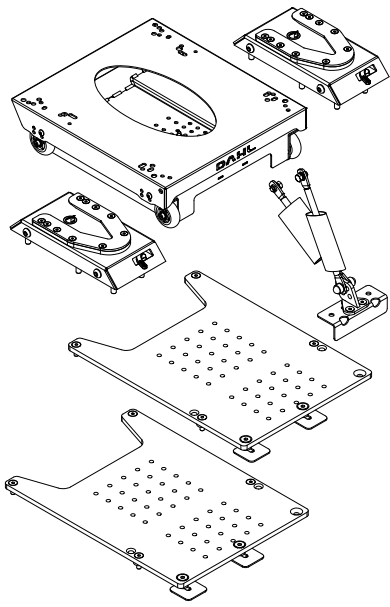
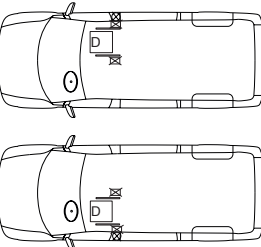
Part no. 503303

Citroën Jumpy & Spacetourer KO
 Opel Zafira Life
 Peugeot Expert & Traveller KO
 Toyota Proace & Proace Verso 2016-



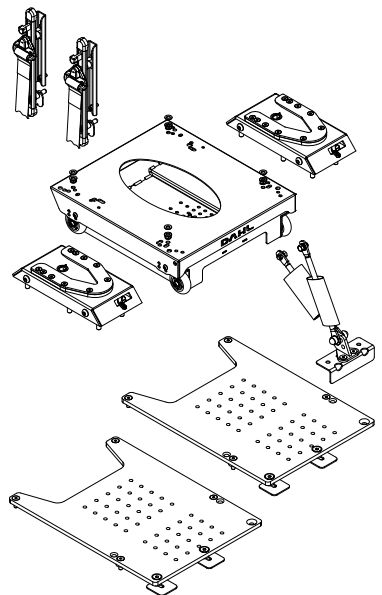
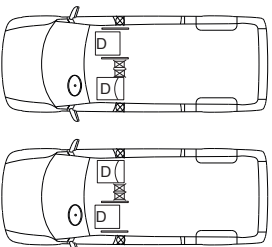
Part no. 503304

Citroën Jumpy & Spacetourer KO
 Opel Zafira Life
 Peugeot Expert & Traveller KO
 Toyota Proace & Proace Verso 2016-



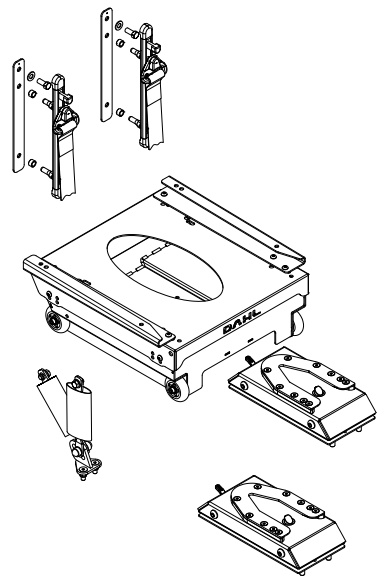
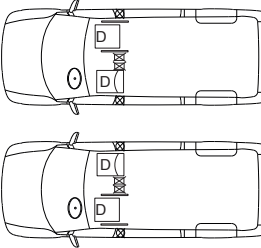
Part no. 503305

Citroën Jumpy & Spacetourer KO
 Opel Zafira Life
 Peugeot Expert & Traveller KO
 Toyota Proace & Proace Verso 2016-



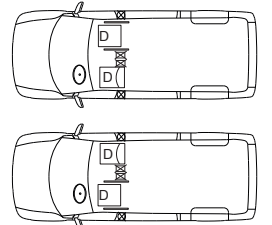
Part no. 503306

Citroën Jumpy & Spacetourer KO
 Opel Zafira Life
 Peugeot Expert & Traveller KO
 Toyota Proace & Proace Verso 2016-



Part no. 503255

ITEK Drop Floor Conversion:
 VW Caddy Active



Dahl Docking Station MK II System - approved installation kits

Part no. 503310

ITEK Drop Floor
Conversion:
VW Caddy Active

Part no. 503461

Tripod/Allied Drop Floor
Conversion:
Citroën Berlingo
Peugeot Partner

Part no. 503006

MB Vito
MB V-Class W447

Part no. 503008

MB Vito
MB V-Class W447

Part no. 500221 *

Ford Transit Custom V710
VW New Transporter /
Caravelle 2025-

FMVSS/CMVSS 210

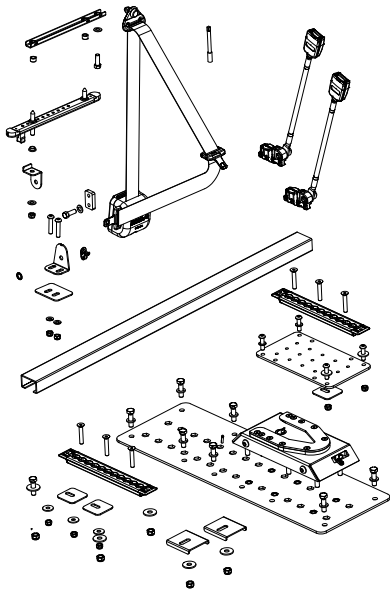
Part no. 500253 *

Ford Transit Custom V710
VW New Transporter /
Caravelle 2025-

FMVSS/CMVSS 210

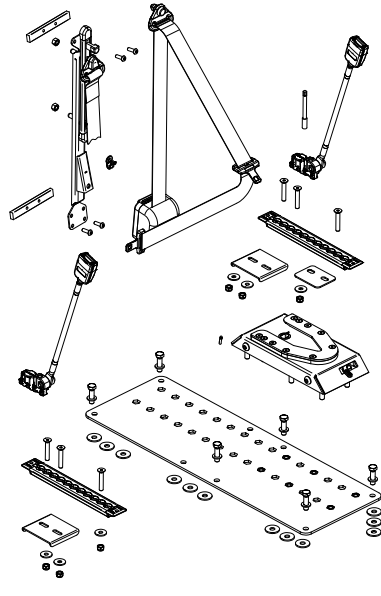
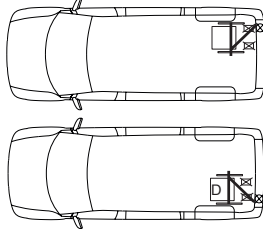
* See also compatibility list on page 10.

Dahl Docking Station MK II System - approved installation kits



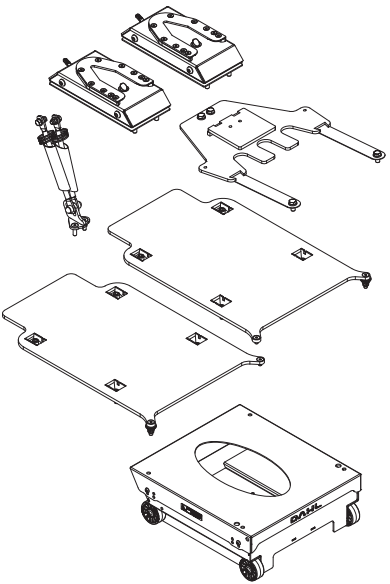
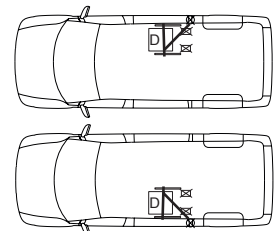
Part no. 500254 *
 Ford Transit Custom V710
 VW New Transporter /
 Caravelle 2025-

**FMVSS/CMVSS
 210**



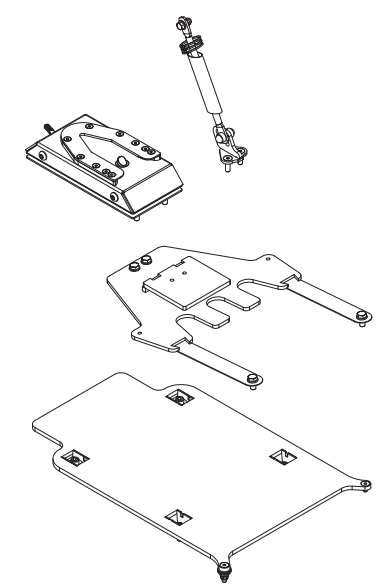
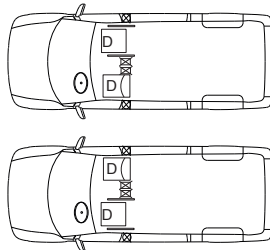
Art. no. 504063 *
 Ford Transit Custom V710
 VW New Transporter /
 Caravelle 2025-

**FMVSS/CMVSS
 210**



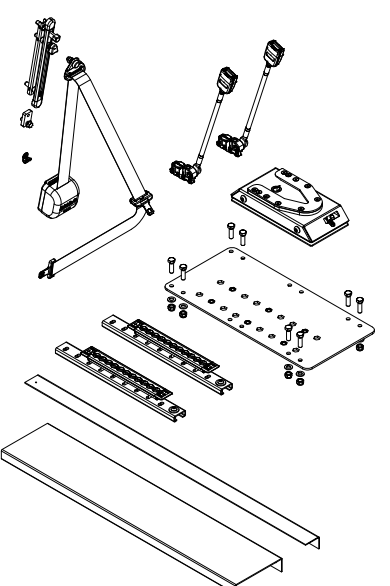
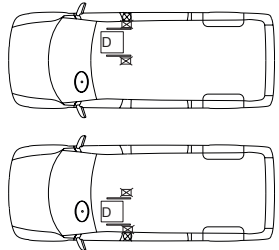
Art. no. 504144 *
 Ford Transit Custom V710
 VW New Transporter /
 Caravelle 2025-

**FMVSS/CMVSS
 207/210**



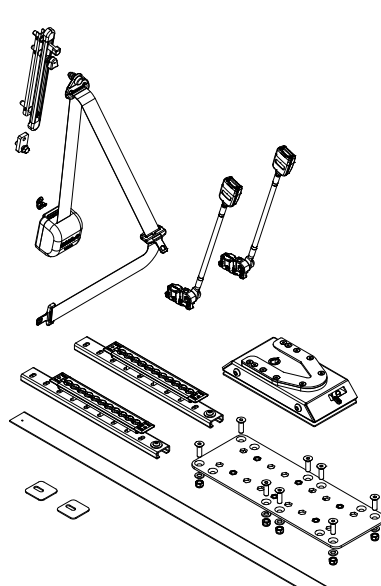
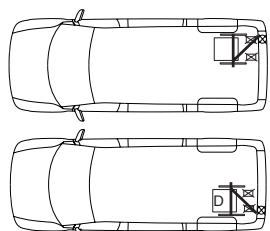
Art. no. 504149 *
 Ford Transit Custom V710
 VW New Transporter /
 Caravelle 2025-

**FMVSS/CMVSS
 207/210**



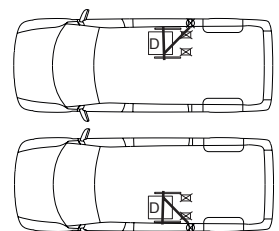
Art. no. 504157
 Renault Master XDD
 Nissan Interstar 2024-

**FMVSS/CMVSS
 210**



Art. no. 504162
 Renault Master XDD
 Nissan Interstar 2024-

**FMVSS/CMVSS
 210**



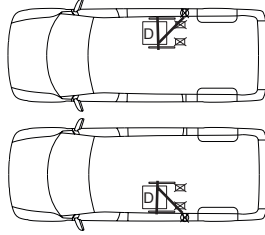
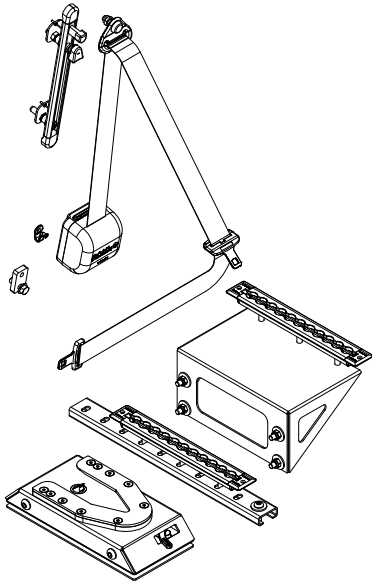
* See also compatibility list on page 10.

Dahl Docking Station MK II System - approved installation kits

Art. no. 504167

Mercedes Sprinter
907/9710

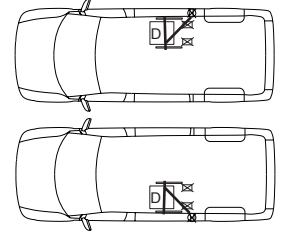
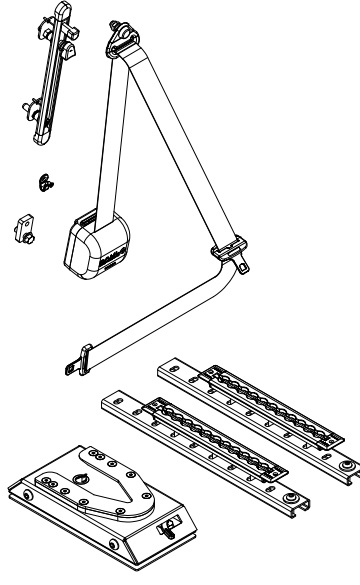
FMVSS/CMVSS
210



Art. no. 504169

Mercedes Sprinter
907/9710

FMVSS/CMVSS
210



List of vehicles with approved installation kits – 4-point WTORS

Vehicle make	Vehicle model	Shoulder belt anchorage position	Floor mount type	Up to 85 kg - CLASSIC Line	Up to 85 kg - EVOLUTION Line	Up to 200 kg - HEAVY DUTY Line	FMVSS/ CMVSS 210
Citroën	Berlingo Tripod/Allied Floor Conversion	RD			503463	503464	
	Jumper Y	C	surface	502057	503170	503135	
		C	flush	502058	503171	503488	
		W	surface	501945	503483		
		W	flush	501944	502111		
	right side	RD	surface		503736	503604	
	right side	RD	flush		503738	503624	
	left side	RD	surface		503739	503625	
	left side	RD	flush		503737	503605	
	Jumpy X	C	surface	502057	503170		
		C	flush	502058	503171		
		W	surface	501949	501057		
		W	flush	501948	501055		
		RD	surface	501771	503293		
		RD	flush	501799	503294		
	Space Tourer/Jumpy KO 2017-	C	surface		503296	503472	
		C	flush		503295	503474	
	RD	surface	501771	503293	503299		
	RD	flush	501799	503294	503300		
Space Tourer/Jumpy KO 2017 - Freedom Drop Floor Conversion	C (roof)	surface					
Fiat	Doblo High roof SWB&LWB	D	rail	502311	503312		
		D	rail	502317	501869		
		D	surface		502373	503560	
		D	flush		502372	503562	
	Ducato X250	C	surface	502057	503170	503135	
		C	flush	502058	503171	503488	
		W	surface	501945	503483		
		W	flush	501944	502111		
	right side	RD	surface		503736	503604	
	right side	RD	flush		503738	503624	
	left side	RD	surface		503739	503625	
	left side	RD	flush		503737	503605	
	Scudo X270	C	surface	502057	503170		
		C	flush	502058	503171		
		W	surface	501949	501057		
		W	flush	501948	501055		
		RD	surface	501771	503293		
	RD	flush	501799	503294			
Talento	C	surface	502057	503170	503135		
	C	flush	502058	503171	503488		
	D	surface	502057	503170	503135		
	D	flush	502058	503171	503488		
Ford	Transit Custom V362	C	surface	502057	503170		
		C	flush	502058	503171		
		W	surface	501947	503486	503135	
		W	flush	501946	503487	503488	
		D	surface	502057	503170	503135	
		D	flush	502058	503171	503488	
		RD	surface	501771	503293		
		RD	flush	501799	503294		
	Transit V363	C	surface	502056	501054		
		C	flush	502055	501053		
		W	surface	502060	501051		
		W	flush	502059	501050		
		D	surface	502057	503170		
	D	flush	502058	503171			
Transit Custom V710	SEE LIST ON PAGE 42 FOR MORE INFORMATION.						
MAN	TGE 2017-	C	surface	503162	503133	503496	
		C	flush	503163	503131	503493	
		W	surface	503164	503132	503494	
		W	flush	503163	503130	503495	
		D	surface	502057	503170	503135	
		D	flush	502058	503171	503488	
		RD	surface		500114	500118	
	RD	flush		500115	500119		
Mercedes	Sprinter 906 & 907 & 910	C	surface	502057	503170	503135	√
		C	flush	502058	503171	503488	√
		W	surface	501679	503482	500826	√
		W	flush	501932	503484	500827	√
		D	surface	502057	503170	503135	√
		D	flush	502058	503171	503488	√
		RD	surface		500114	500118	√
	RD	flush		500115	500119	√	

SYMBOLS: C = c pillar / D = d pillar / W = window / RD / rear door / surface = surface mount / flush = flush mount / rail = floor rail

List of vehicles with approved installation kits – 4-point WTORS

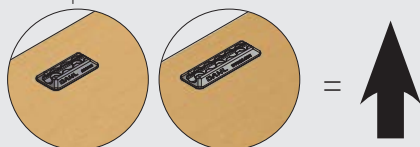
Vehicle make	Vehicle model	Shoulder belt anchorage position	Floor mount type	Up to 85 kg - CLASSIC Line	Up to 85 kg - EVOLUTION Line	Up to 200 kg - HEAVY DUTY Line	FMVSS/CMVSS 210
Mercedes	Sprinter 906 & 907 High roof, wheel base 3250-3665-4325	W	surface	502063	500726		
		W	flush	502062	500729		
	Vito & V-Class W447	W	surface	502241	503485		
		W	flush	502239	503524		
		RD	surface	501771	503293		
		RD	flush	501799	503294		
	Vito 639 & V-Class W447	C	surface	502057	503170	503135	
		C	flush	502058	503171	503488	
		W	surface	501821	501789		
		RD	surface	501771	503293	503299	
	RD	flush	501799	503294	503300		
	RD	surface		503358			
	RD	flush		503357			
Nissan	Nissan Interstar 2024-	C	surface		504204		√
		C	flush		504203		√
		W	surface		504198		√
		W	flush		504183		√
		D	surface		504165		√
		D	flush		504173	504249	√
		RD	surface		504177		√
		RD	flush		504181		√
	Nissan NV 200	W	surface	501947	503486		
		W	flush	501946	503487		
		RD	surface		503187		
	Nissan NV 300	C	surface	502057	503170	503135	
		C	flush	502058	503171	503488	
		D	surface	502057	503170	503135	
		D	flush	502058	503171	503488	
	Nissan NV400	C	surface	502057	503170	503135	
		C	flush	502058	503171	503488	
		W	surface	501942	501885		
		W	flush	501943	501886		
		D	surface	502057	503170	503135	
	D	flush	502058	503171	503488		
Nissan Primastar	C	surface	502057	503170			
	C	flush	502058	503171			
	D	surface	502057	503170			
	D	flush	502058	503171			
Opel	Combo High roof SWB&LWB	D	surface		502373	503560	
		D	flush		502372	503562	
		D	rail	502311	503312		
		D	rail	502317	501869		
	Movano X62	W	surface	501942	501885		
		W	flush	501943	501886		
		C	surface	502057	503170	503135	
		C	flush	502058	503171	503488	
		D	surface	502057	503170	503135	
		D	flush	502058	503171	503488	
	Vivaro X82	C	surface	502057	503170	503135	
		C	flush	502058	503171	503488	
		D	surface	502057	503170	503135	
		D	flush	502058	503171	503488	
	Vivaro X83	C	surface	502057	503170	503135	
		C	flush	502058	503171	503488	
		D	surface	502057	503170	503135	
		D	flush	502058	503171	503488	
Zafira Life	C	surface		503296	503472		
	C	flush		503295	503474		
	RD	surface	501771	503293	503299		
	RD	flush	501799	503294	503300		
Zafira Life - Freedom drop floor conversion	C (roof)	surface					
Peugeot	Boxer Y	C	surface	502057	503170	503135	
		C	flush	502058	503171	503488	
		W	surface	501945	503483		
		W	flush	501944	502111		
	right side	RD	surface		503736	503604	
	right side	RD	flush		503738	503624	
	left side	RD	surface		503739	503625	
	left side	RD	flush		503737	503605	
	Expert X	C	surface	502057	503170		
		C	flush	502058	503171		
		W	surface	501949	501057		
		W	flush	501948	501055		
		RD	surface	501771	503293		
		RD	flush	501799	503294		
	Partner Tripod/Allied floor conversion	D	surface		503463	503464	
	Traveller/Expert KO 2017-	C	surface		503296	503472	
		C	flush		503295	503474	
		RD	surface	501771	503293	503299	
	RD	flush	501799	503294	503300		
Traveller/Expert KO 2017- Freedom Drop Floor Conversion	C (roof)	surface					

List of vehicles with approved installation kits – 4-point WTORS

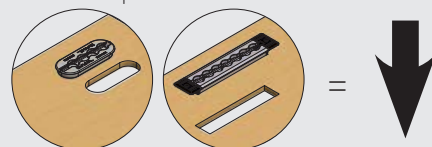
Vehicle make	Vehicle model	Shoulder belt anchorage position	Floor mount type	Up to 85 kg - CLASSIC Line	Up to 85 kg - EVOLUTION Line	Up to 200 kg - HEAVY DUTY Line	FMVSS/CMVSS 210		
Renault	Master X62	C	surface	502057	503170	503135			
		C	flush	502058	503171	503488			
		W	surface	501942	501885				
		W	flush	501943	501886				
		D	surface	502057	503170	503135			
		D	flush	502058	503171	503488			
	Trafic X82	C	surface	502057	503170	503135			
		C	flush	502058	503171	503488			
		D	surface	502057	503170	503135			
		D	flush	502058	503171	503488			
		D	surface	502057	503170	503135			
		D	flush	502058	503171	503488			
	Trafic X83	C	surface	502057	503170	503135			
		C	flush	502058	503171	503488			
		D	surface	502057	503170	503135			
		D	flush	502058	503171	503488			
		D	surface	502057	503170	503135			
		D	flush	502058	503171	503488			
Master XDD 2024-	C	surface		504204			✓		
	C	flush		504203			✓		
	W	surface		504198			✓		
	W	flush		504183			✓		
	D	surface		504165			✓		
	D	flush		504173	504249		✓		
	RD	surface		504177			✓		
	RD	flush		504181			✓		
Toyota	Proace	C	surface	502057	503170				
		C	flush	502058	503171				
		W	surface	501949	501057				
		W	flush	501948	501055				
		RD	surface	501771	503293				
		RD	flush	501799	503294				
	ProAce/Verso 2017-	C	surface		503296	503472			
		C	flush		503295	503474			
		RD	surface	501771	503293	503299			
		RD	flush	501799	503294	503300			
		ProAce/Verso 2017- Freedom Drop Floor Conversion		C (roof)	surface				
VW	Caddy, ITEK drop floor conversion		RD	surface		503239			
	Crafter (2006-2016)		W	surface	501679	503482	500826		
			W	flush	501932	500814	500827		
			D	surface	502057	503170			
			D	flush	502058	503171			
			RD	surface		500114	500118		
			RD	flush		500115	500119		
	Crafter (2006-2016) High Roof, Wheel base 3250-3665-4325		W	surface	502063	500726			
			W	flush	502062	500729			
	Crafter 2017-		C	surface	503162	503133	503496		
			C	flush	503163	503131	503493		
			W	surface	503164	503132	503494		
			W	flush	503165	503130	503495		
			D	surface	502057	503170	503135		
			D	flush	502058	503171	503488		
			RD	surface		500114	500118		
			RD	flush		500115	500119		
	New Transporter / Caravelle 2025-T5 & T6		SEE LIST ON PAGE 42 FOR MORE INFORMATION.						
			C	surface	502057	503170	503135		
			C	flush	502058	503171	503488		
			W	surface	501774	501772			
			W	flush	501786	501773			
			D	surface		503170	503135		
			D	flush		503171	503488		
		RD	surface	501771	503293	503299			
		RD	flush	501799	503294	503300			
		RD	surface		503352				
		RD	flush		503353				
T5 & T6 Multivan, original floor rails		RD	surface		503122	503498			

Explanation of symbols for kits with 4-point WTORS

Floor pocket or rail for surface installation



Floor pocket or rail for flush installation



SYMBOLS: C = c pillar / D = d pillar / W = window / RD = rear door / surface = surface mount / flush = flush mount / rail = floor rail

Compatibility list

Position of shoulder belt anchorage	Floor pocket	4-point kit item no. EVOLUTION line - 85 kg	4-point kit item no. HEAVY DUTY line - 200 kg	Propulsion type compatibility			Van dimensions compatibility				Body style compatibility			FMVSS/CMVSS 210	
				BEV	PHEV	ICE	L1	L2	H1	H2	Van	Kombi	Bus		
Seat row 2, rear side window frame	surface	500248		√	√	√	√	√	√	√	√	-	√	√	√
		504058		-	-	√	√	√	√	√	√	√	√	√	√
	flush	500247		√	√	√	√	√	√	√	√	√	√	√	√
		504060		-	-	√	√	√	√	√	√	√	√	√	√
		504059		-	-	√	√	√	√	√	√	√	√	√	√
		500251	504282	√	√	√	√	√	√	√	√	-	√	√	√
Seat row 3, D-pillar	surface	504055	504284	-	-	√	√	√	√	√	√	√	√	√	
		500252	504283	√	√	√	√	√	√	√	-	√	√	√	
	flush	504056	504279	-	-	√	√	√	√	√	√	√	√	√	
		504057		-	-	√	√	√	√	√	√	√	√	√	
		500223	504280	√	√	√	√	√	√	-	-	√	√	√	
		504115		-	-	√	√	√	√	√	√	√	√	√	
Seat row 3, upper rear door opening	surface													√	
		500224	504281	√	√	√	√	√	√	-	-	√	√	√	
	flush	504137		-	-	√	√	√	√	√	√	-	√	√	

* BEV = Battery Electric Vehicle

* PHEV = Plug-In Hybrid Electric Vehicle

* ICE = Internal Combustion Engine

See also vehicle diagrams in the following chapter.

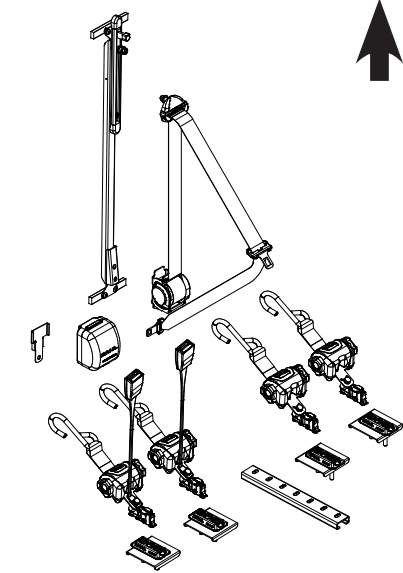
CLASSIC Line – up to 85 kg

CLASSIC Line is our first generation of tie-down retractors, which is characterized by beautiful design and high quality.

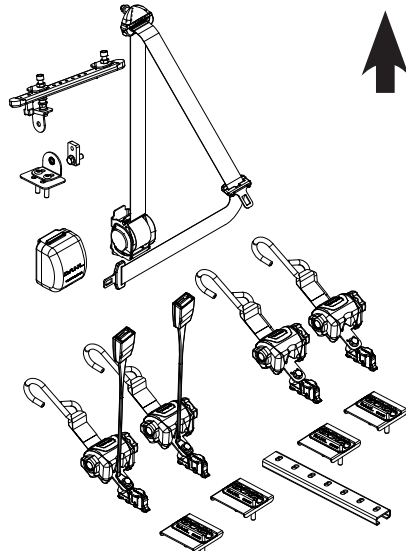
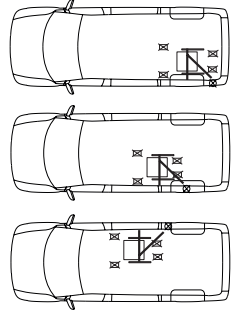


- The retractor housing is molded in metal
- Nice silver metallic surface
- Handwheel on both sides to tighten the straps
- Push-button release

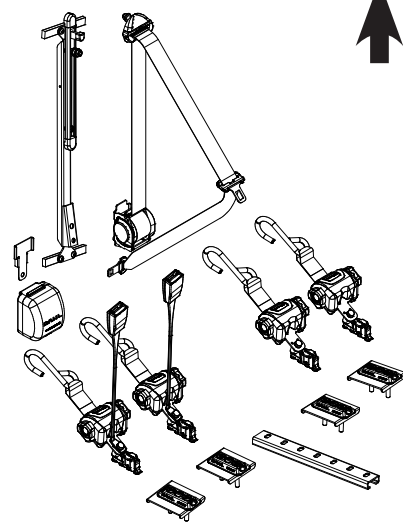
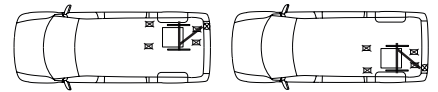
Approved 4-point WTORS installation kits - CLASSIC LINE 85 kg



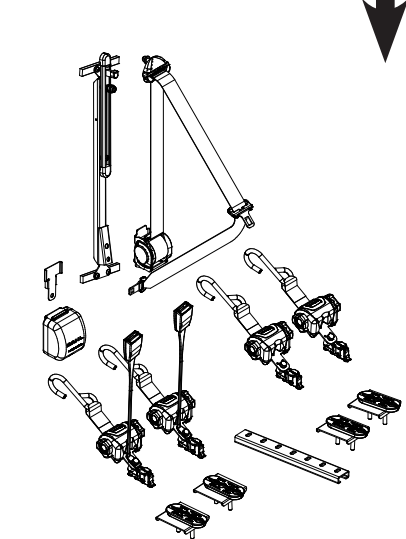
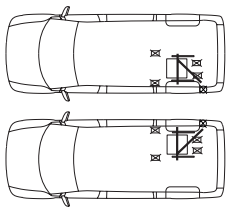
Part no. 501679
 MB Sprinter
 906 & 907 & 910
 VW Crafter (2006-2016)



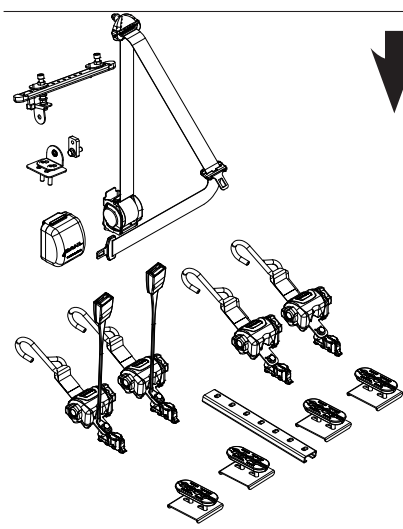
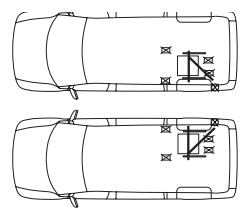
Part no. 501771
 Citroën Jumpy X
 Citroën Space Tourer /
 Jumpy KO 2016-
 Fiat Scudo X270
 Ford Transit Custom V362
 MB Vito 639 & V-Class W447
 Opel Zafira Life
 Peugeot Expert X
 Peugeot Traveller /
 Expert KO 2016-
 Toyota Proace / Verso 2016-
 VW T5 & T6



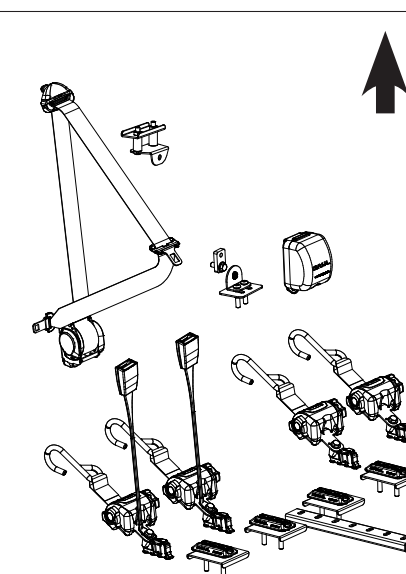
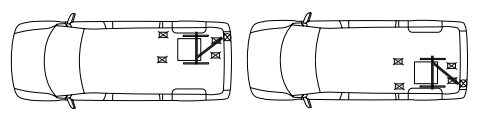
Part no. 501774
 VW T5 & T6



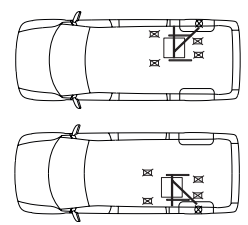
Part no. 501786
 VW T5 & T6



Part no. 501799
 Citroën Jumpy X
 Citroën Space Tourer /
 Jumpy KO 2016-
 Fiat Scudo X270
 Ford Transit Custom V362
 MB Vito 639 & V-Class W447
 Opel Zafira Life
 Peugeot Expert X
 Peugeot Traveller /
 Expert KO 2016-
 Toyota Proace / Verso 2016-
 VW T5 & T6



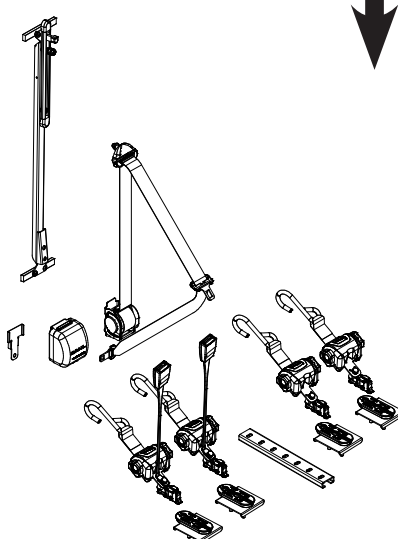
Part no. 501821
 MB Vito 639 & V-Class W447

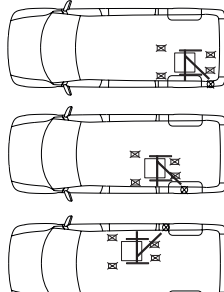



Approved 4-point WTORS installation kits - CLASSIC LINE 85 kg

↓

Part no. 501932
MB Sprinter 906 & 907 & 910 VW Crafter (2006-2016)

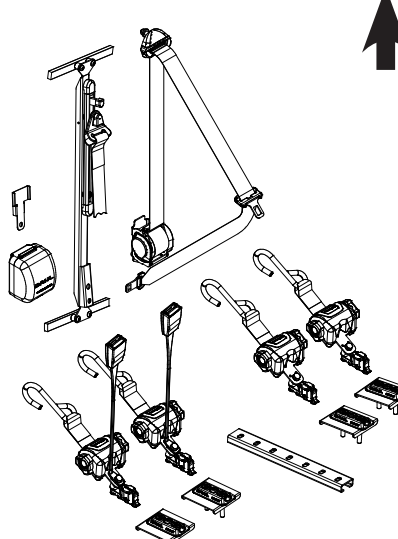


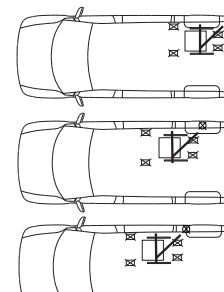




↑

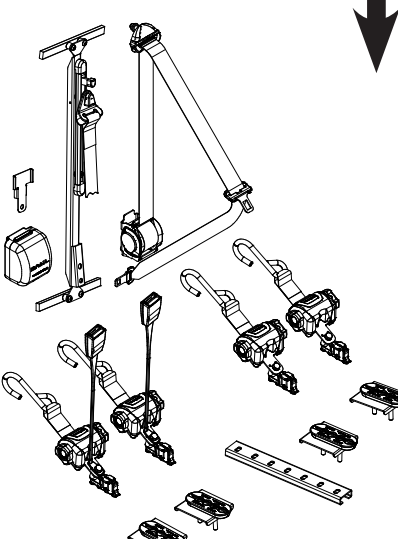
Part no. 501942
Opel Movano X62 L1, L2, L3, L4 Renault Master X62 L1, L2, L3, L4 Nissan NV400 L1, L2, L3, L4

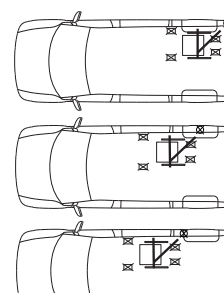




↓

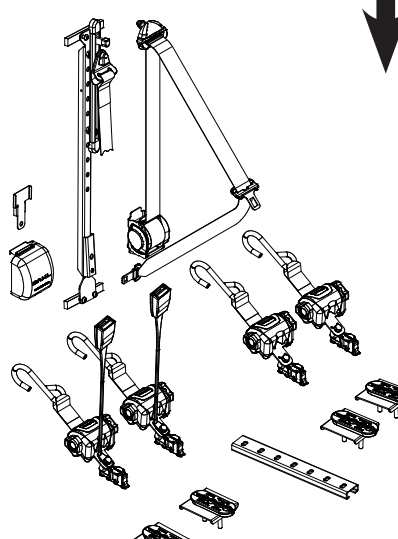
Part no. 501943
Opel Movano X62 L1, L2, L3, L4 Renault Master X62 L1, L2, L3, L4 Nissan NV400 L1, L2, L3, L4

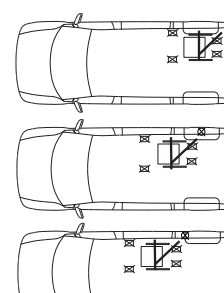




↓

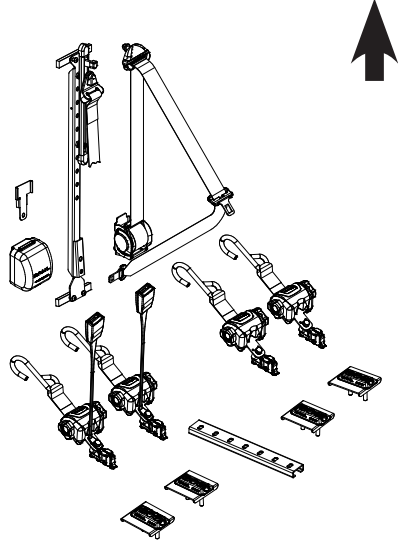
Part no. 501944
Fiat Ducato X250 Peugeot Boxer Y Citroën Jumper Y

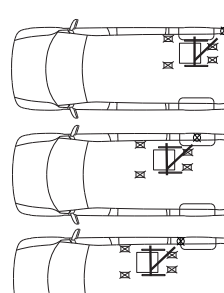




↑

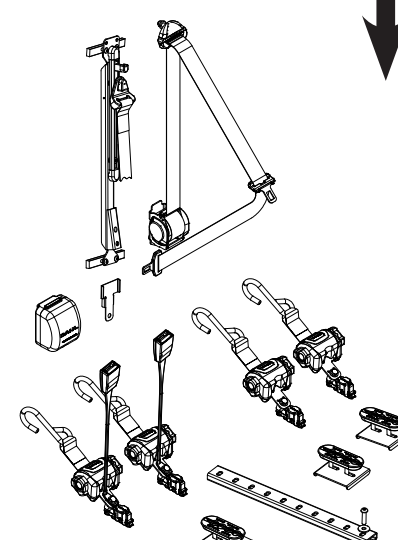
Part no. 501945
Fiat Ducato X250 Peugeot Boxer Y Citroën Jumper Y

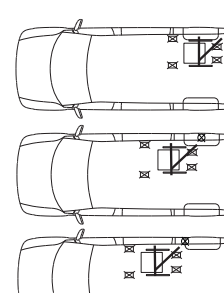




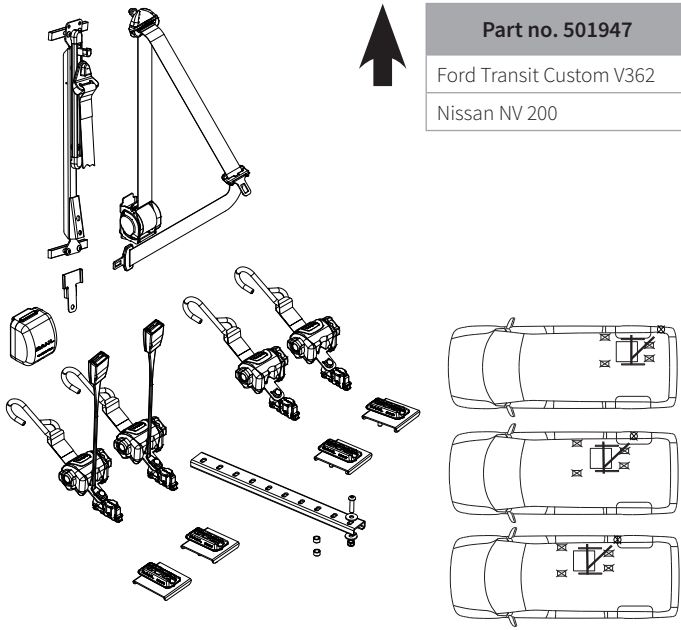
↓

Part no. 501946
Ford Transit Custom V362 Nissan NV 200

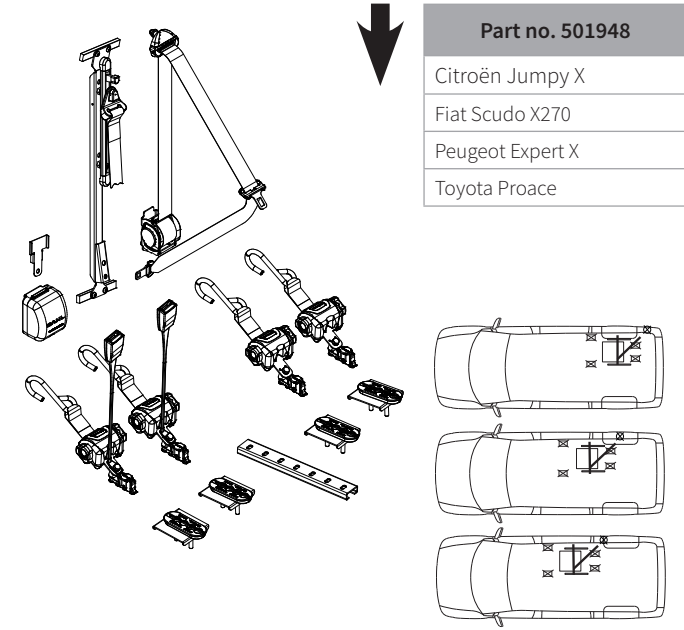




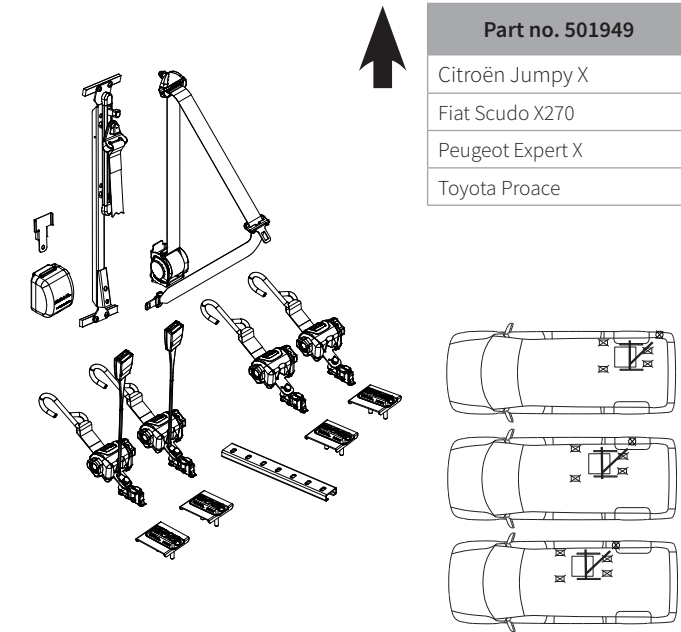
Approved 4-point WTORS installation kits - CLASSIC LINE 85 kg



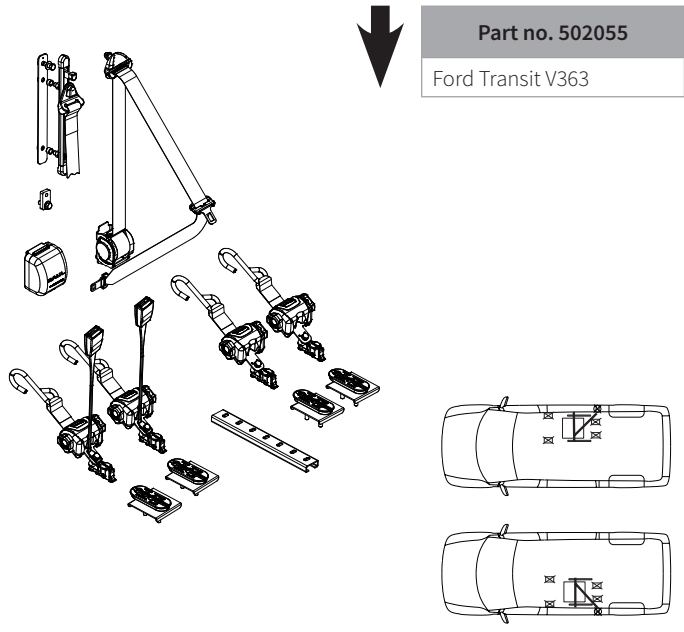
Part no. 501947
 Ford Transit Custom V362
 Nissan NV 200



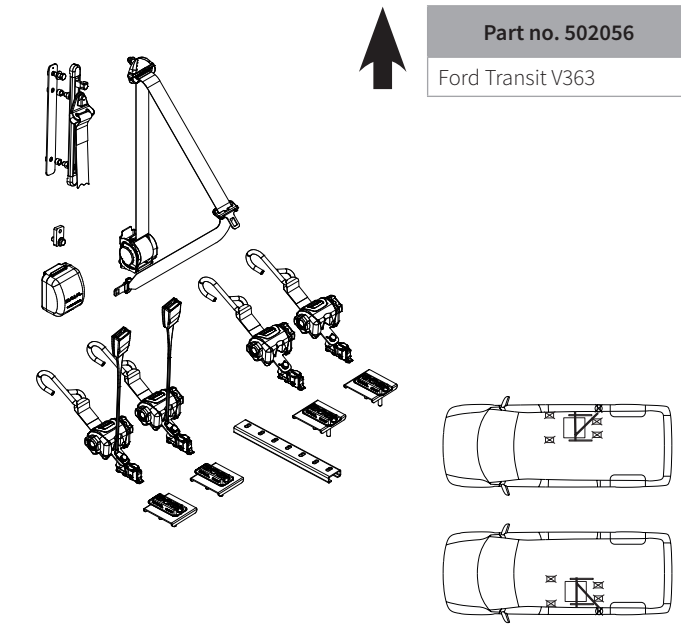
Part no. 501948
 Citroën Jumpy X
 Fiat Scudo X270
 Peugeot Expert X
 Toyota Proace



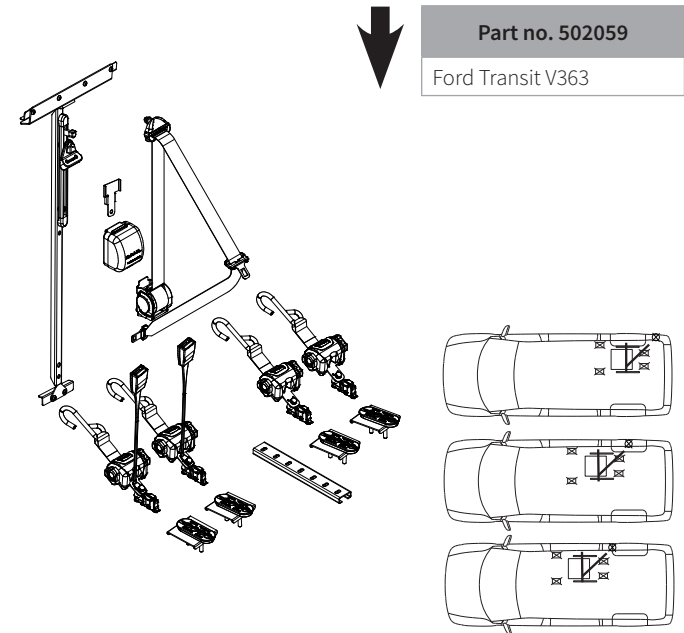
Part no. 501949
 Citroën Jumpy X
 Fiat Scudo X270
 Peugeot Expert X
 Toyota Proace



Part no. 502055
 Ford Transit V363



Part no. 502056
 Ford Transit V363



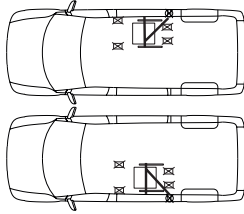
Part no. 502059
 Ford Transit V363

Approved 4-point WTORS installation kits - CLASSIC LINE 85 kg

Part no. 502057
Fiat Talento
Ford Transit V363
Ford Transit Custom V362
MAN TGE 2017-
MB Sprinter 906 & 907 & 910
Nissan Primastar
Nissan NV300
Nissan NV400
Opel Vivaro X82 & X83
Opel Movano X62
Renault Master X62
Renault Trafic X82 & X83
VW Crafter (2006-2016)
VW Crafter 2017-



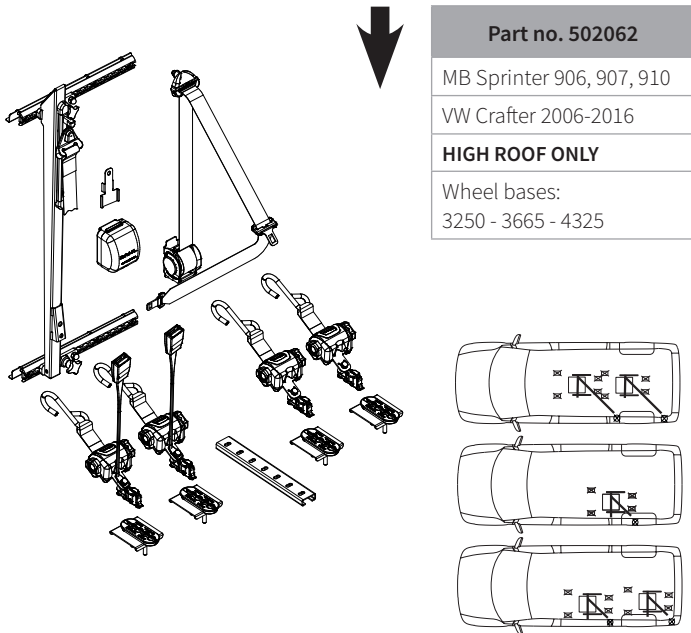
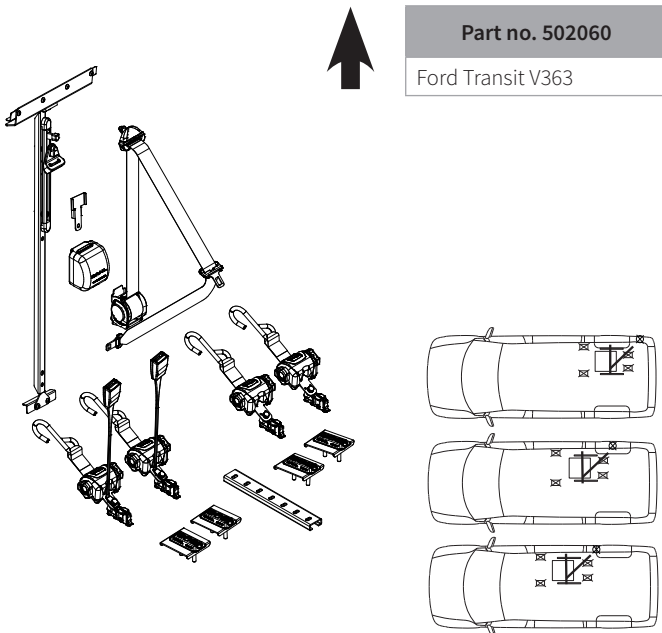
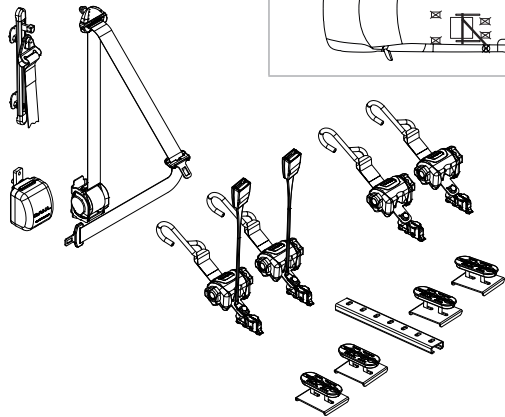
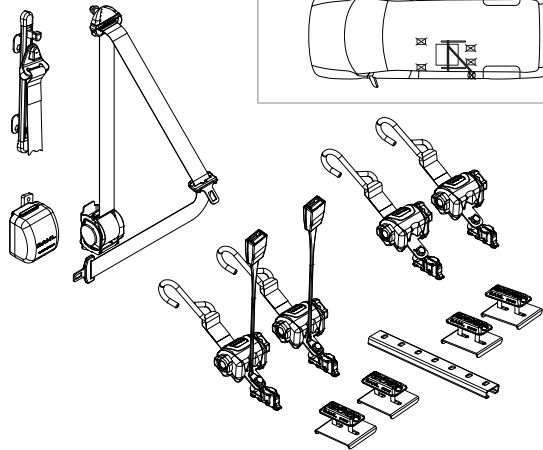
Part no. 502057
Citroën Jumper Y
Citroën Jumpy X
Fiat Ducato X250
Fiat Scudo X270
Fiat Talento
Ford Transit Custom V362
MB Sprinter 906 & 907 & 910
MB Vito 639 & W447
Nissan NV300
Nissan NV400 L1, L2, L3, L4
Nissan Primastar
Opel Movano X62 L1, L2, L3, L4
Opel Vivaro X82 & X83
Peugeot Boxer Y
Peugeot Expert X
Renault Master X62 L1, L2, L3, L4
Renault Trafic X82 & X83
Toyota Proace
VW T5 & T6



Part no. 502058
Fiat Talento
Ford Transit V363
Ford Transit Custom V362
MAN TGE 2017-
MB Sprinter 906 & 907 & 910
Nissan Primastar
Nissan NV300
Nissan NV400
Opel Vivaro X82 & X83
Opel Movano X62
Renault Master X62
Renault Trafic X82 & X83
VW Crafter (2006-2016)
VW Crafter 2017-



Part no. 502058
Citroën Jumper Y
Citroën Jumpy X
Fiat Ducato X250
Fiat Scudo X270
Fiat Talento
Ford Transit Custom V362
MB Sprinter 906 & 907 & 910
MB Vito 639 & W447
Nissan NV400 L1, L2, L3, L4
Nissan NV300
Nissan Primastar
Opel Movano X62 L1, L2, L3, L4
Opel Vivaro X82 & X83
Peugeot Boxer Y
Peugeot Expert X
Renault Master X62 L1, L2, L3, L4
Renault Trafic X82 & X83
Toyota Proace
VW T5 & T6

Approved 4-point WTORS installation kits - CLASSIC LINE 85 kg

Part no. 502063

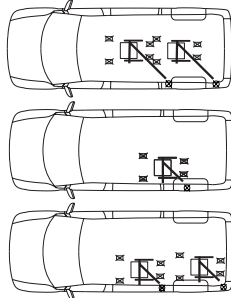
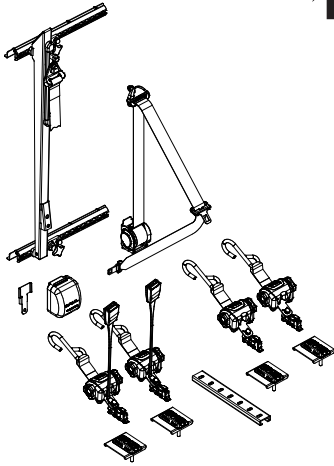
MB Sprinter 906, 907, 910

VW Crafter 2006-2016

High roof only:

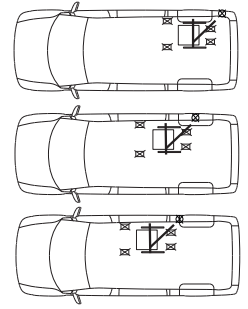
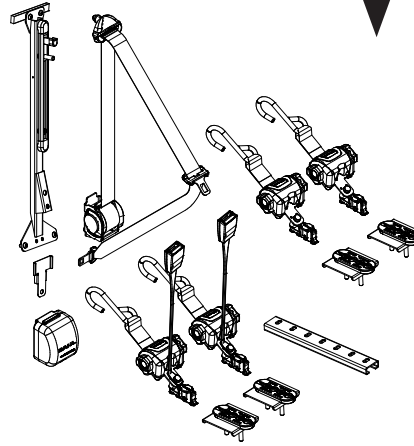
Wheel bases:

3250 - 3665 - 4325



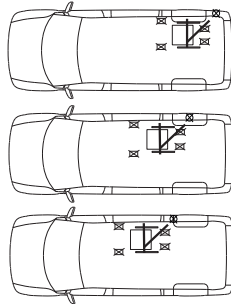
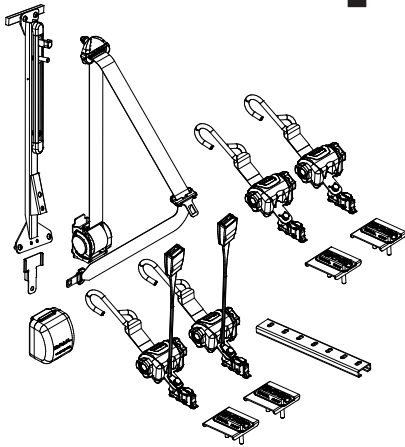
Part no. 502239

MB Vito & V-Class W447



Part no. 502241

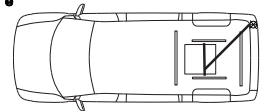
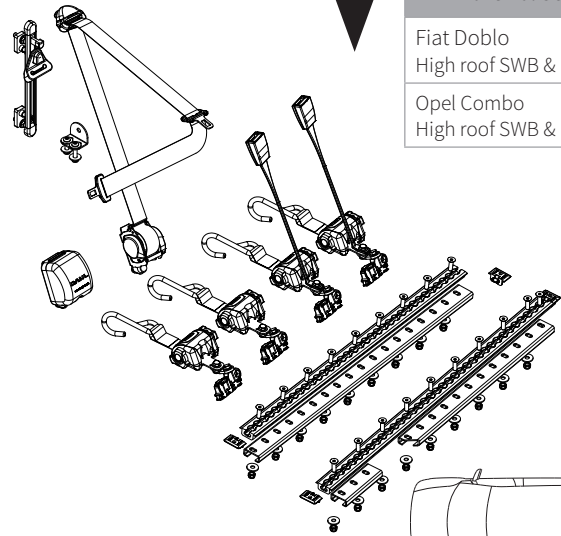
MB Vito & V-Class W447



Part no. 502311

Fiat Doblo
High roof SWB & LWB

Opel Combo
High roof SWB & LWB

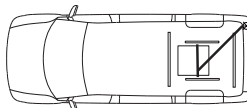
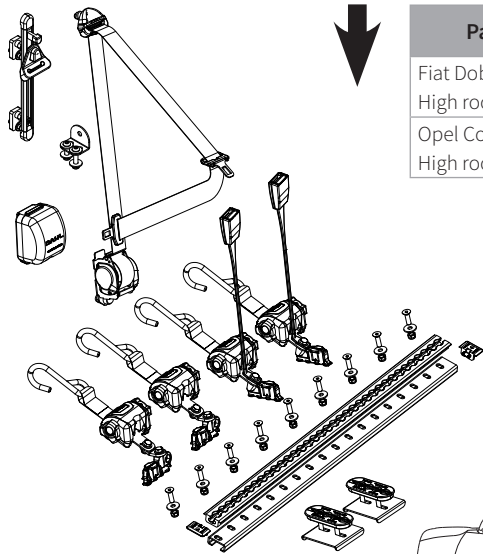


Part no. 502317

Fiat Doblo
High roof SWB & LWB

Opel Combo
High roof SWB & LWB

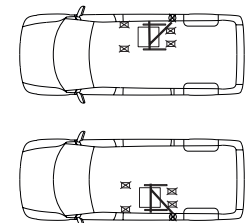
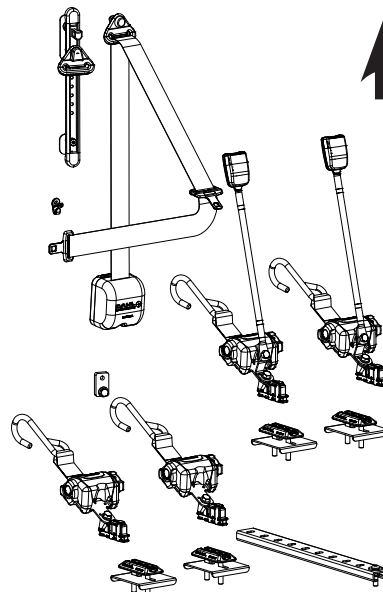
High roof SWB & LWB



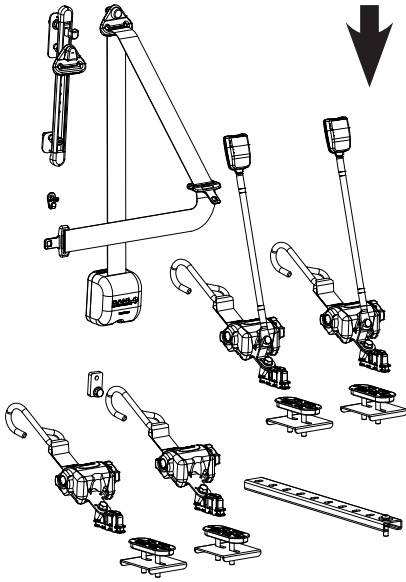
Part no. 503162

VW Crafter 2017-

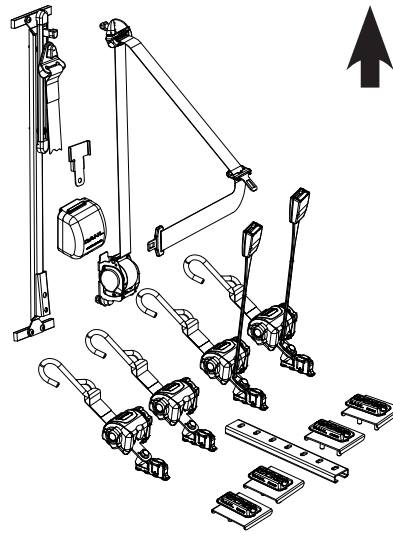
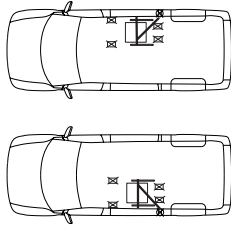
Man TGE 2017-



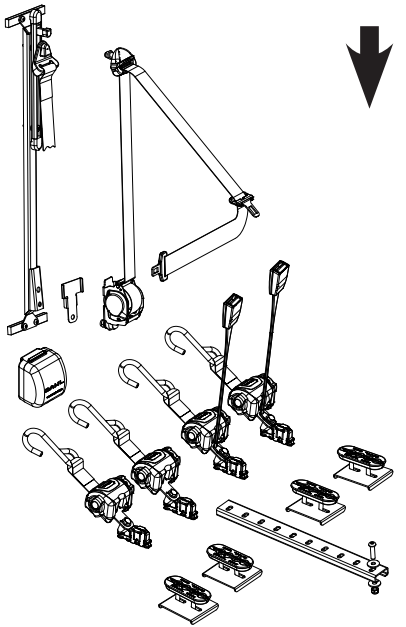
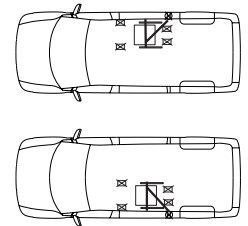
Approved 4-point WTORS installation kits - CLASSIC LINE 85 kg



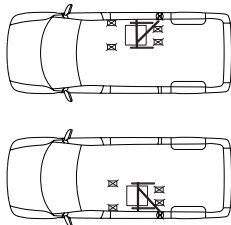
Part no. 503163
VW Crafter 2017-
Man TGE 2017-



Part no. 503164
VW Crafter 2017-
Man TGE 2017-



Part no. 503165
VW Crafter 2017-
Man TGE 2017-



EVOLUTION Line – up to 85 kg

EVOLUTION Line is a further development with focus on modern design, durability and light weight without compromising quality or robustness.

By using new and better materials, we succeeded in reducing the weight with 27 % in comparison to an equivalent Classic Line retractor, whilst matching or surpassing the Classic Line's quality parameters. This can be especially useful in vehicles, where weight is a very crucial factor.



- The retractor housing is molded in an unbreakable plastic with nice matte finish
- Breaking strength has been tested in temperatures down to -21°C
- Robust handwheel in metal on the side to tighten the straps
- Low weight
- Push-button release

Upgrade of 4-point EVOLUTION kits from 85 to 200 kg wheelchair rating, currently using 4 x 501906

Due to increasing requirements in tenders for public transportation and others, prescribing that 4-point Wheelchair Tiedown and Occupant restraint Systems (WTORS) must be rated at the actual weight of the wheelchairs transported, we have decided to upgrade all our 85kg EVOLUTION surface mounted 4-point kits, except for transverse fitting rails. This way, those 85kg WTORS kits are compatible with our HEAVY DUTY WTORS rated at 200 kg + user.

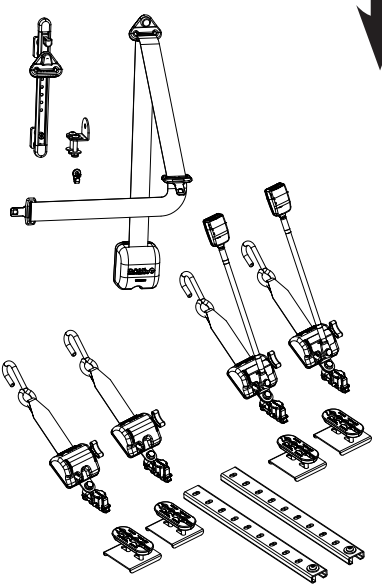
Therefore, customers who will have one those 85 kg WTORS installed in the vehicle and wish to upgrade them with our HEAVY DUTY WTORS, which are rated for wheelchair masses of 200 kg plus user, do not have to go back to the workshop to have the stronger 6-stud HEAVY DUTY floor pockets fitted in the rear, saving time and extra work.

The new floor pocket fitting (2 x art nr. 503251) for the rear tie-down straps or retractors, replacing 2 x art.nr. 501906, can be seen here:



	<p>Part no. 500114</p> <p>MAN TGE 2017- Mercedes Sprinter 907&910 VW Crafter 2006-2016 VW Crafter 2017- HIGH ROOF ONLY</p>	<p>FMVSS/CMVSS 210</p>	
	<p>Part no. 500115</p> <p>MAN TGE 2017- Mercedes Sprinter 907&910 VW Crafter 2006-2016 VW Crafter 2017- HIGH ROOF ONLY</p>	<p>FMVSS/CMVSS 210</p>	

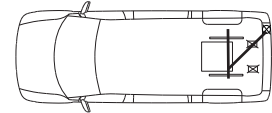
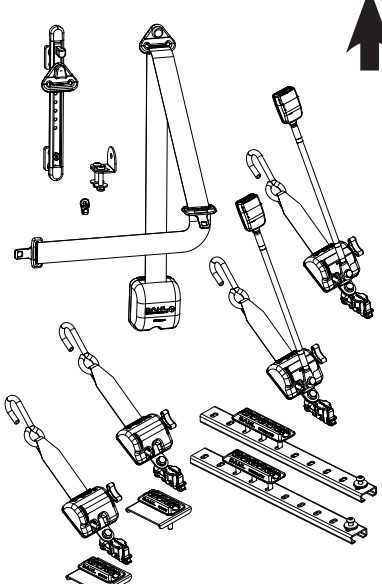
Approved 4-point WTORS installation kits - EVOLUTION LINE 85 kg



Part no. 502372

Fiat Doblo
High roof SWB & LWB

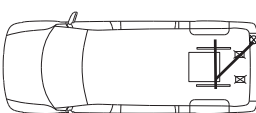
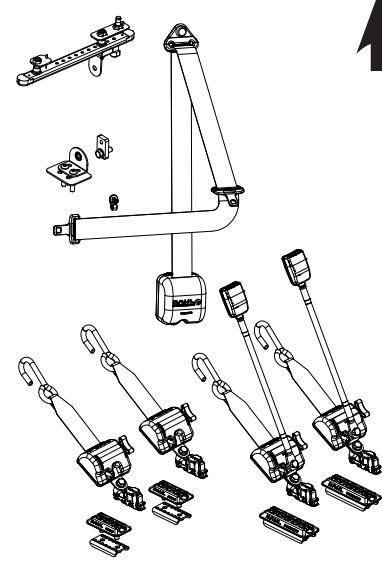
Opel Combo
High roof SWB & LWB

Part no. 502373

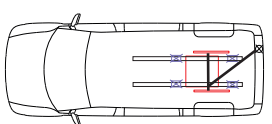
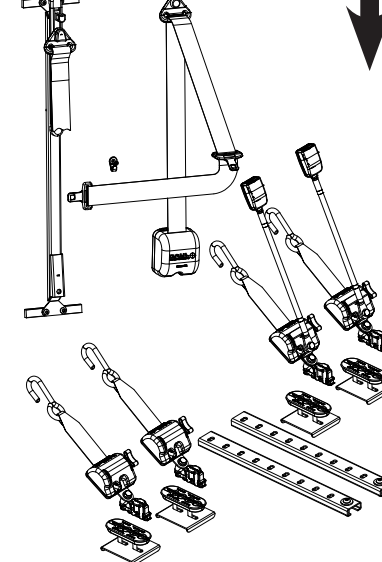
Fiat Doblo
High roof SWB & LWB

Opel Combo
High roof SWB & LWB

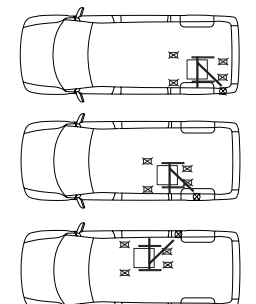
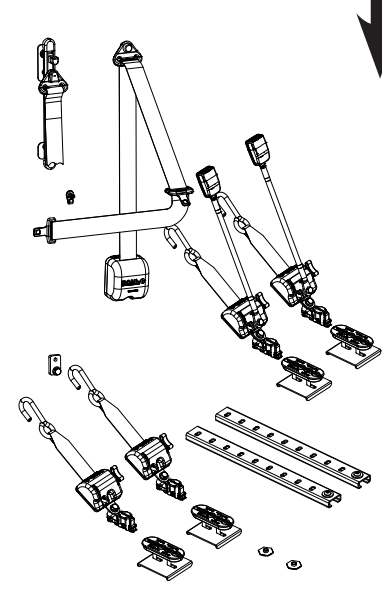
Part no. 503122

VW T6 Multivan
standard roof height
original floor rails

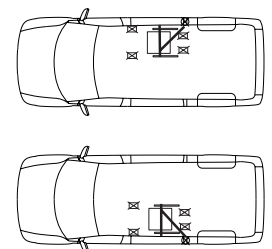
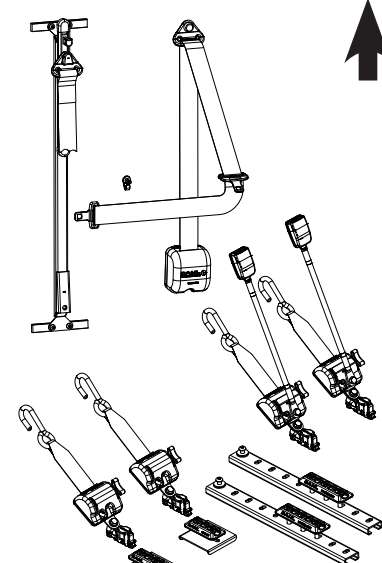
Part no. 503130

MAN TGE 2017-
VW Crafter 2017-

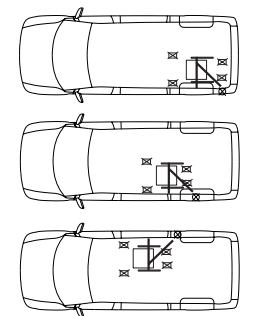
Part no. 503131

MAN TGE 2017-
VW Crafter 2017-

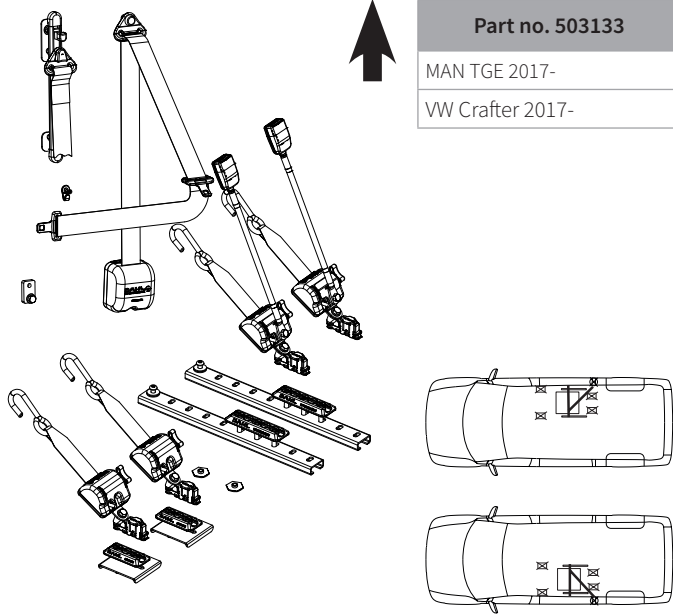



Part no. 503132

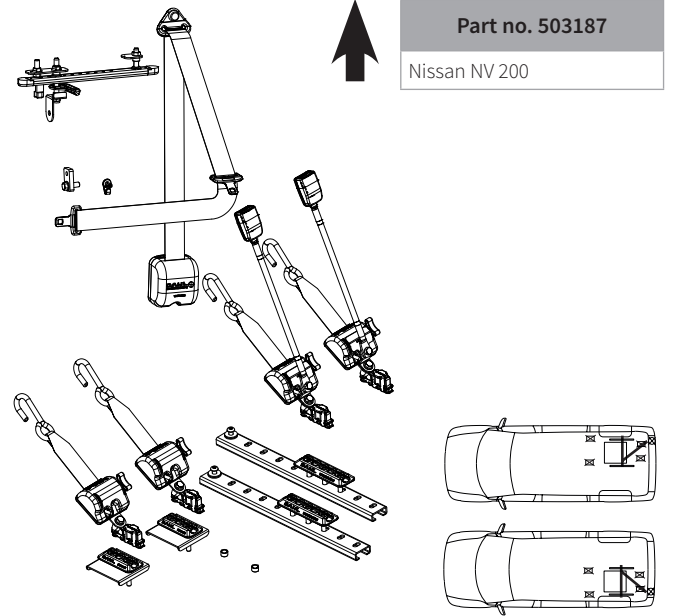
MAN TGE 2017-
VW Crafter 2017-



Approved 4-point WTORS installation kits - EVOLUTION LINE 85 kg

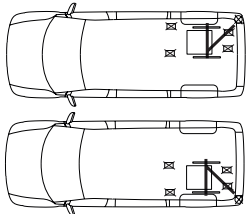


Part no. 503133
MAN TGE 2017-
VW Crafter 2017-

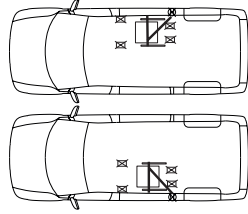


Part no. 503187
Nissan NV 200

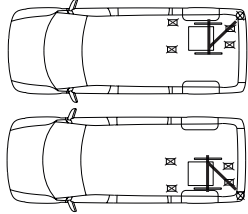
Part no. 503170
Fiat Talento
Ford Transit V363
Ford Transit Custom V362
Man TGE 2017-
MB Sprinter 906 & 907 & 910
Nissan Primastar
Nissan NV300
Nissan NV400
Opel Vivaro X82 & X83
Opel Movano X62
Renault Master X62
Renault Trafic X82 & X83
VW Crafter 2006-2016
VW Crafter 2017-
VW T5 & T6



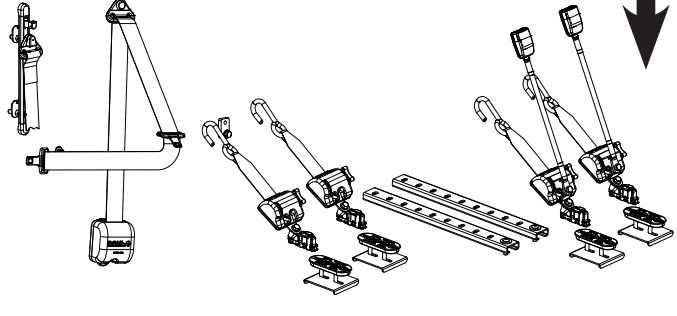
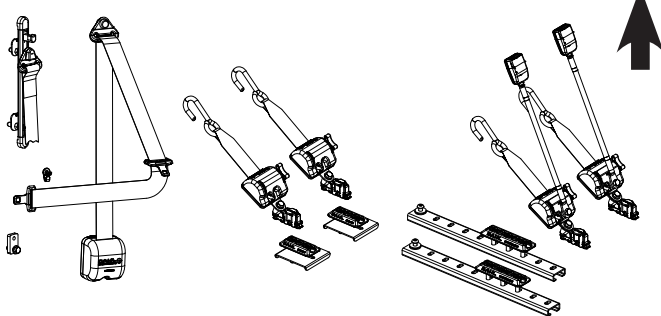
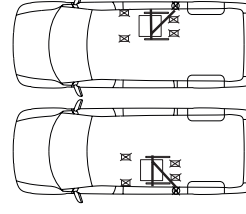
Part no. 503170
Citroën Jumper Y
Citroën Jumpy X
Fiat Ducato X250
Fiat Scudo X270
Fiat Talento
Ford Transit Custom V362
MB Sprinter 906 & 907 & 910
MB Vito V-Class W639 & W447
Nissan NV300
Nissan NV400
Nissan Primastar
Opel Movano X62
Opel Vivaro X82 & X83
Peugeot Boxer Y
Peugeot Expert X
Renault Master X62
Renault Trafic X82 & X83
Toyota Proace
VW T5 & T6



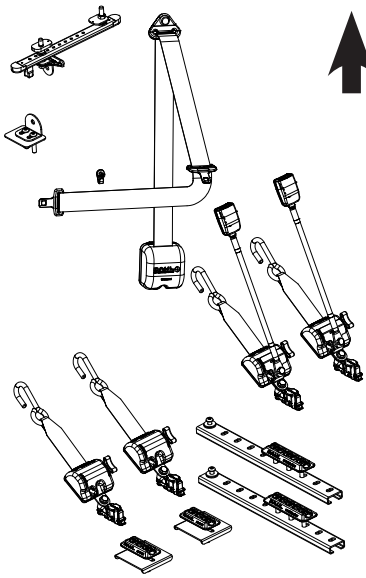
Part no. 503171
Fiat Talento
Ford Transit V363
Ford Transit Custom V362
Man TGE 2017-
MB Sprinter 906 & 907 & 910
Nissan Primastar
Nissan NV300
Nissan NV400
Opel Vivaro X82 & X83
Opel Movano X62
Renault Master X62
Renault Trafic X82 & X83
VW Crafter 2006-2016
VW Crafter 2017-
VW T5 & T6



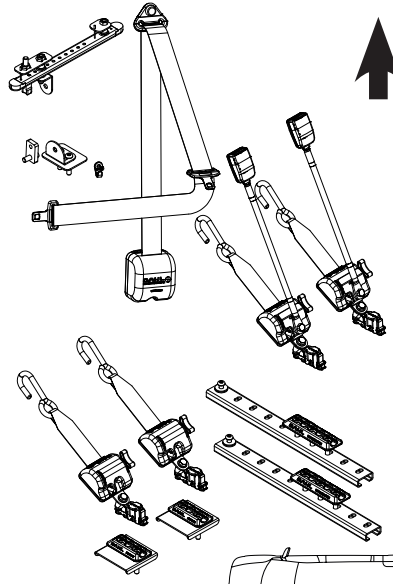
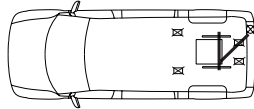
Part no. 503171
Citroën Jumper Y
Citroën Jumpy X
Fiat Ducato X250
Fiat Scudo X270
Fiat Talento
Ford Transit Custom V362
MB Sprinter 906 & 907 & 910
MB Vito V-Class W639 & W447
Nissan NV300
Nissan NV400
Nissan Primastar
Opel Movano X62
Opel Vivaro X82 & X83
Peugeot Boxer Y
Peugeot Expert X
Renault Master X62
Renault Trafic X82 & X83
Toyota Proace
VW T5 & T6



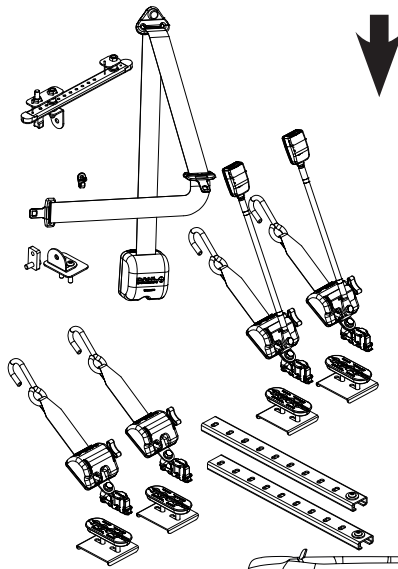
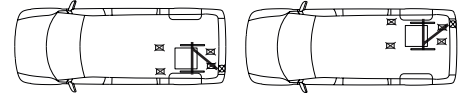
Approved 4-point WTORS installation kits - EVOLUTION LINE 85 kg



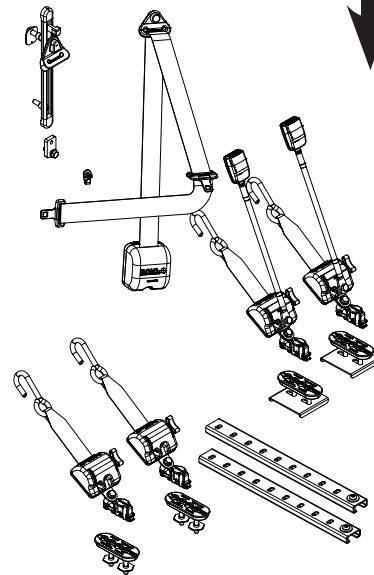
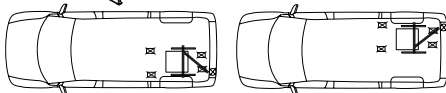
Part no. 503239
 ITEK Drop Floor
 Conversion:
 VW Caddy Active



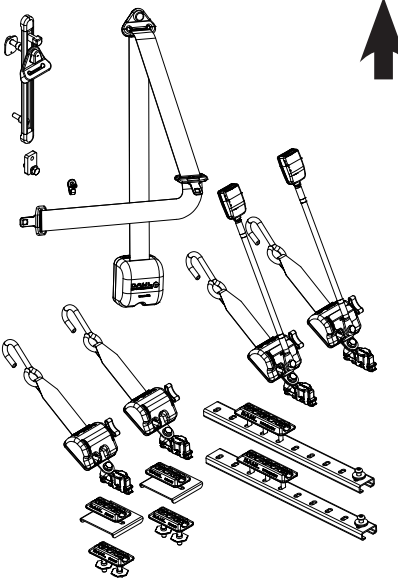
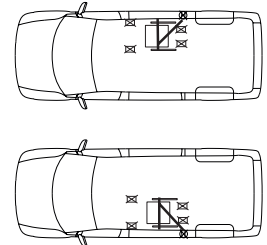
Part no. 503293
 Citroën Jumpy X
 Citroën Space Tourer /
 Jumpy KO 2016-
 Fiat Scudo X270
 Ford Transit Custom V362
 MB Vito V-Class W639& 447
 Opel Zafira Life
 Peugeot Expert X
 Peugeot Traveller /
 Expert KO 2016-
 Toyota Proace
 Toyota Proace / Verso 2016-
 VW T5 + T6



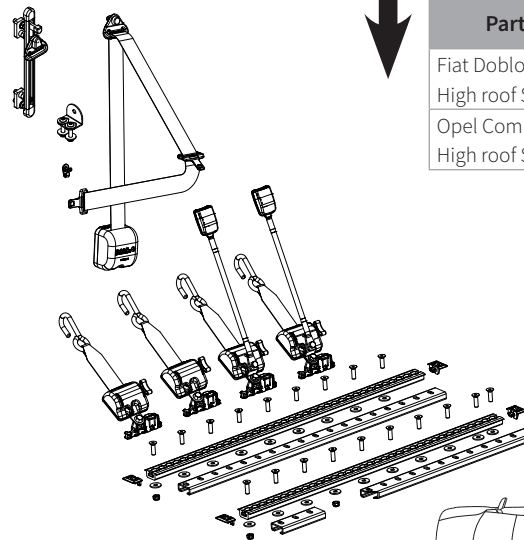
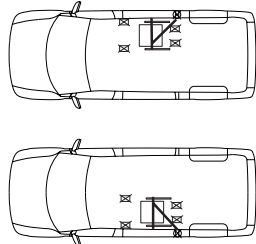
Part no. 503294
 Citroën Jumpy X
 Citroën Space Tourer /
 Jumpy KO 2016-
 Fiat Scudo X270
 Ford Transit Custom V362
 MB Vito V-Class W639& 447
 Opel Zafira Life
 Peugeot Expert X
 Peugeot Traveller /
 Expert KO 2016-
 Toyota Proace
 Toyota Proace / Verso 2016-
 VW T5 + T6



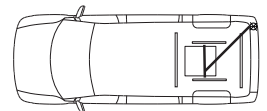
Part no. 503295
 Citroën Space Tourer /
 Jumpy KO
 Opel Zafira Life
 Peugeot Traveller /
 Expert KO
 Toyota Proace / Verso 2016-



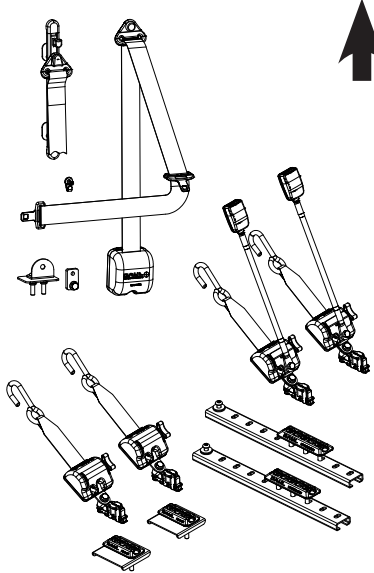
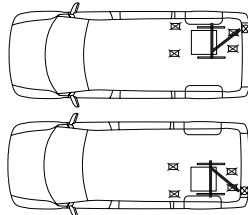
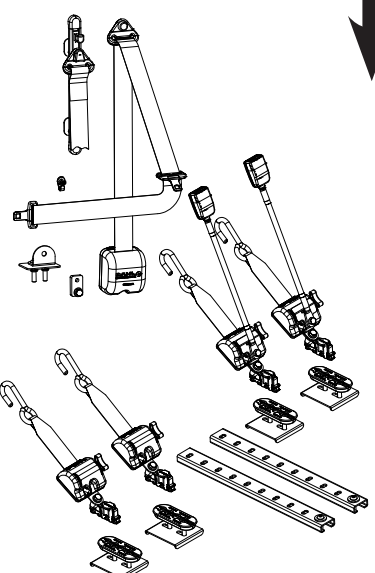
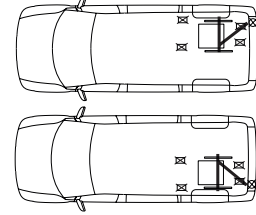
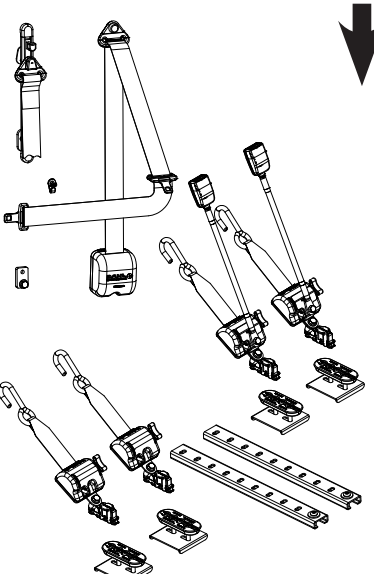
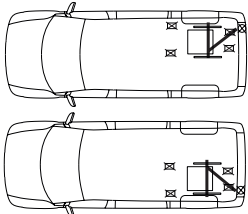
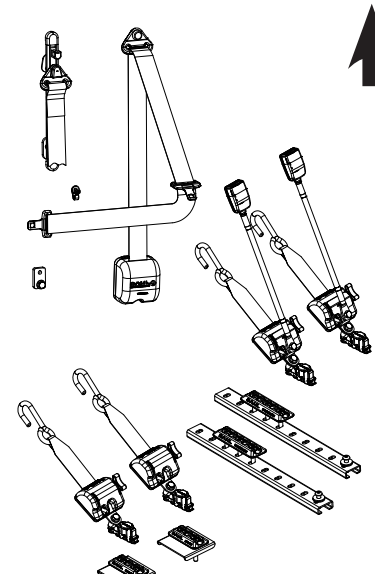
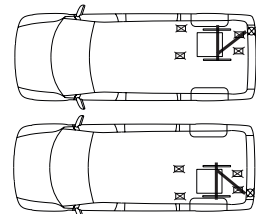
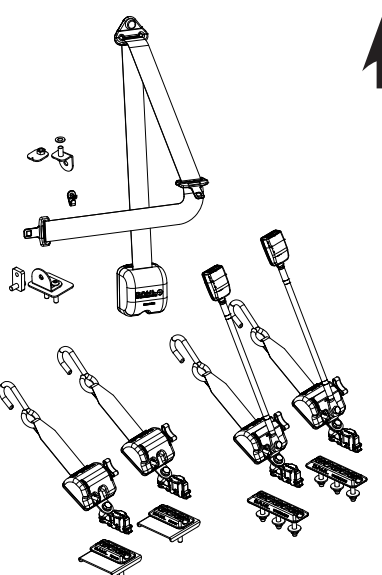
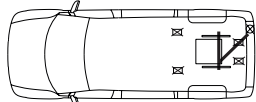
Part no. 503296
 Citroën Space Tourer /
 Jumpy KO
 Opel Zafira Life
 Peugeot Traveller /
 Expert KO
 Toyota Proace / Verso 2016-



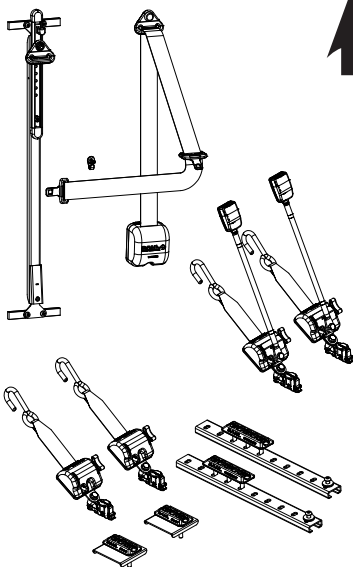
Part no. 503312
 Fiat Doblo
 High roof SWB & LWB
 Opel Combo
 High roof SWB & LWB



Approved 4-point WTORS installation kits - EVOLUTION LINE 85 kg

 <p>Part no. 503352 VW T5 & T6</p> 	 <p>Part no. 503353 VW T5 & T6</p> 
 <p>Part no. 503357 MB Vito 639 / V-Class W447</p> 	 <p>Part no. 503358 MB Vito 639 / V-Class W447</p> 
 <p>Part no. 503463 Tripod/Allied Drop Floor Conversion: Citroën Berlingo Peugeot Partner</p> 	

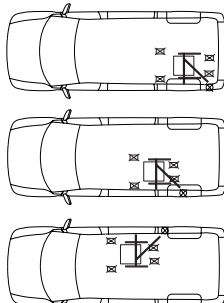
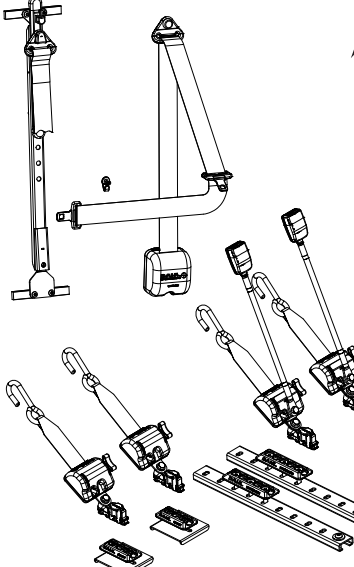
Approved 4-point WTORS installation kits - EVOLUTION LINE 85 kg



Part no. 503482

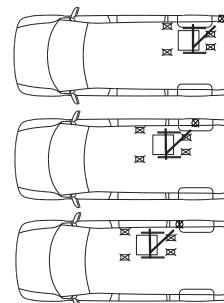
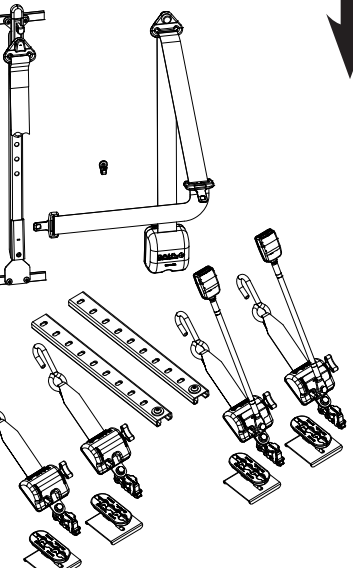
MB Sprinter 906 & 907 & 910
VW Crafter (2006-2016)

FMVSS/CMVSS 210

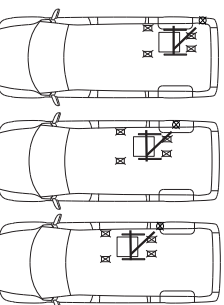
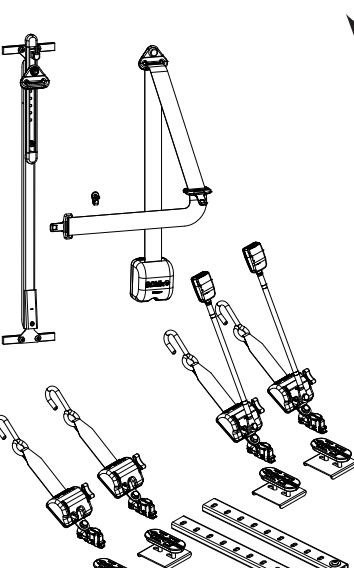
Part no. 503483

Fiat Ducato X250
Peugeot Boxer Y
Citroën Jumper Y

Part no. 502111

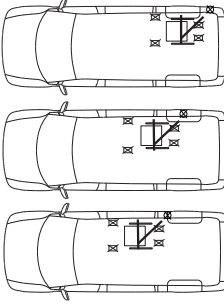
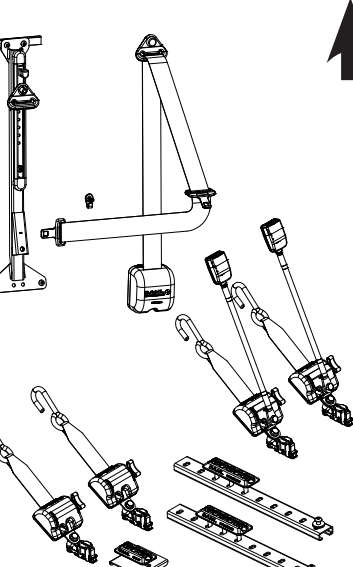
Fiat Ducato X250
Peugeot Boxer Y
Citroën Jumper Y

Part no. 503484

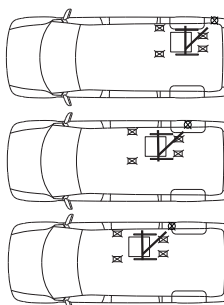
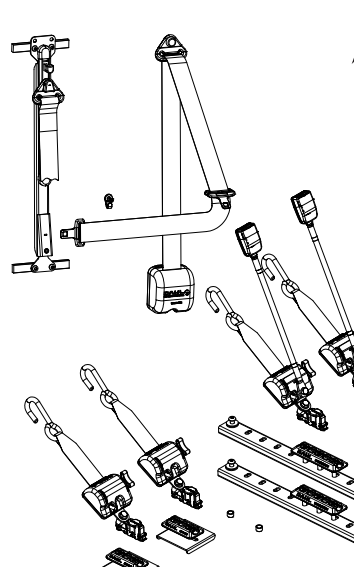
MB Sprinter 906, 907 & 910
VW Crafter 2006-2016

FMVSS/CMVSS 210

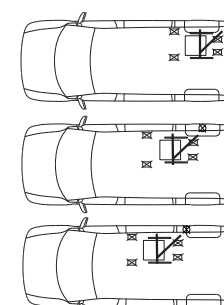
Part no. 503485

MB Vito / V-Class W447

Part no. 503486

Nissan NV200
Ford Transit Custom V362



Approved 4-point WTORS installation kits - EVOLUTION LINE 85 kg

Part no. 503487

Nissan NV200
Ford Transit Custom V362

Part no. 503736

Citroën Jumper Y
Fiat Ducato X250
Peugeot Boxer Y

Part no. 503737

Citroën Jumper Y
Fiat Ducato X250
Peugeot Boxer Y

Part no. 503738

Citroën Jumper Y
Fiat Ducato X250
Peugeot Boxer Y

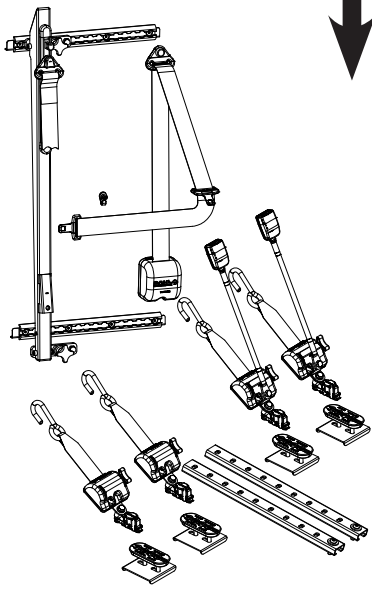
Part no. 503739

Citroën Jumper Y
Fiat Ducato X250
Peugeot Boxer Y

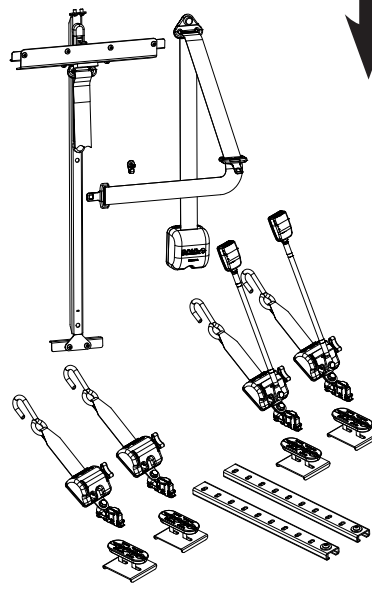
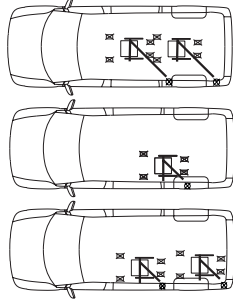
Part no. 500726

MB Sprinter 906, 907 & 910
VW Crafter 2006-2016
Wheel Bases:
3250, 3665, 4322
HIGH ROOF ONLY

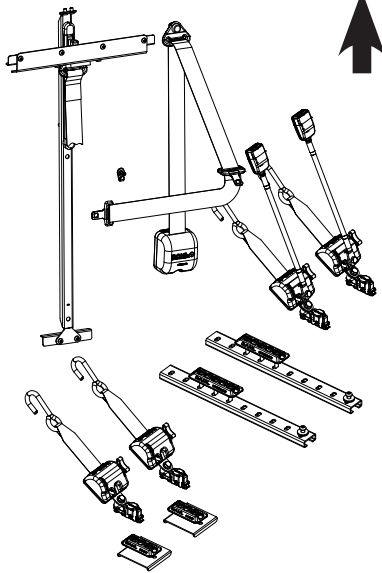
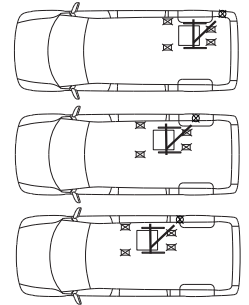
Approved 4-point WTORS installation kits - EVOLUTION LINE 85 kg



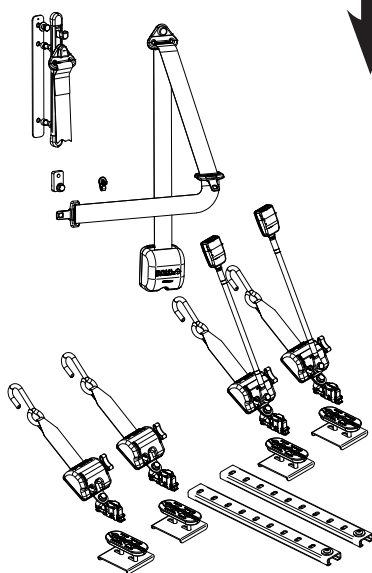
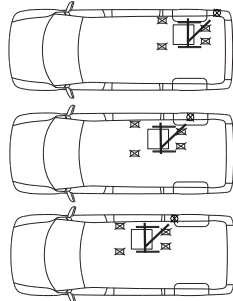
Part no. 500726
 MB Sprinter 906, 907 & 910
 VW Crafter 2006-2016
 Wheel Bases:
 3250, 3665, 4322
HIGH ROOF ONLY



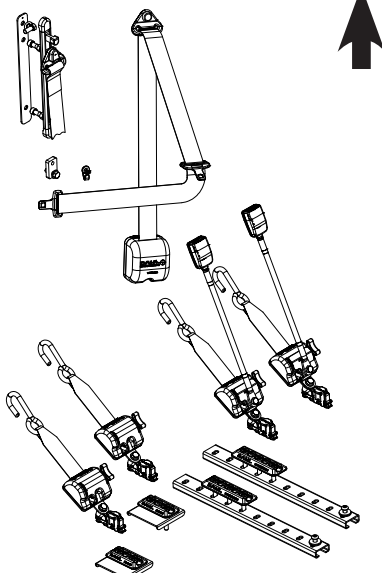
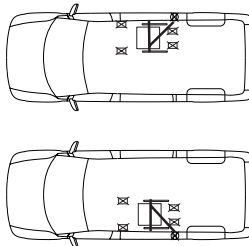
Part no. 501050
 Ford Transit V363



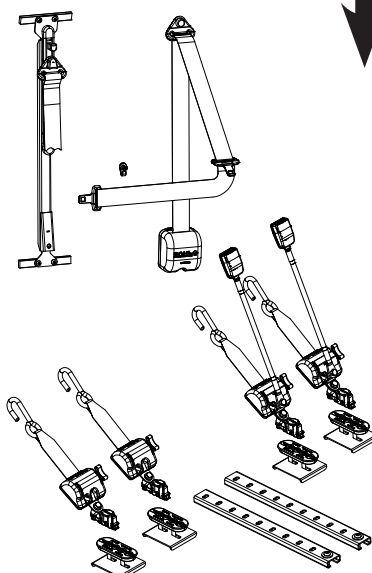
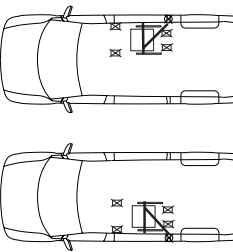
Part no. 501051
 Ford Transit V363



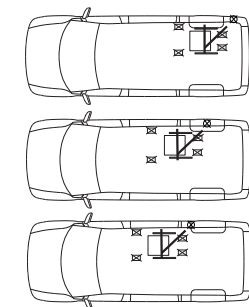
Part no. 501053
 Ford Transit V363



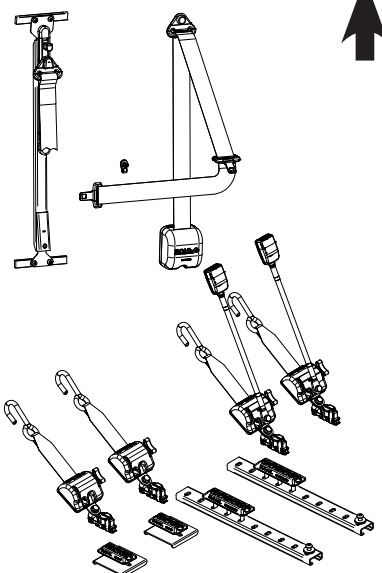
Part no. 501054
 Ford Transit V363



Part no. 501055
 Citroën Jumpy X
 Fiat Scudo X270
 Peugeot Expert X
 Toyota ProAce

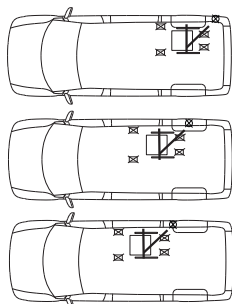
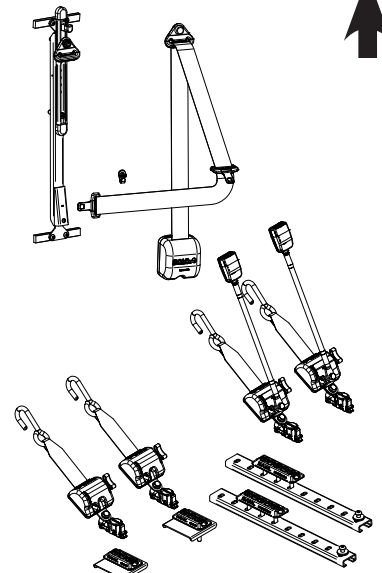


Approved 4-point WTORS installation kits - EVOLUTION LINE 85 kg



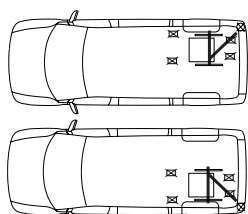
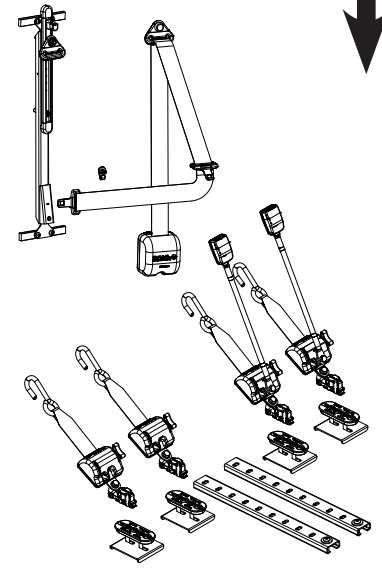
Part no. 501057

Citroën Jumpy X
Fiat Scudo X270
Peugeot Expert X
Toyota ProAce

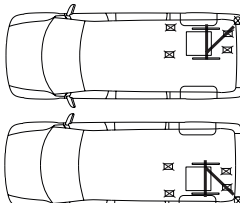
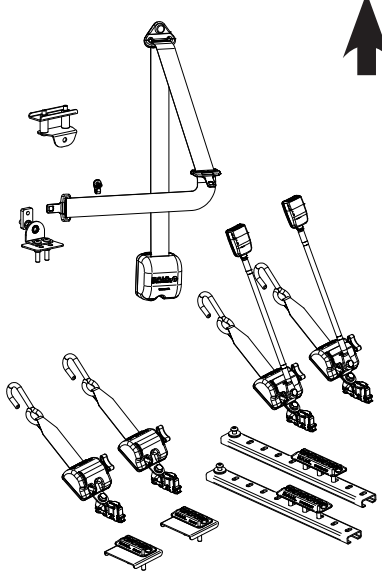
Part no. 501772

VW Caravelle
VW Transporter T5 & T6

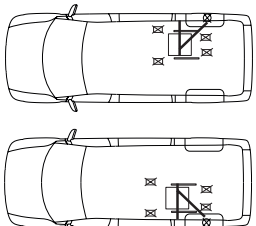
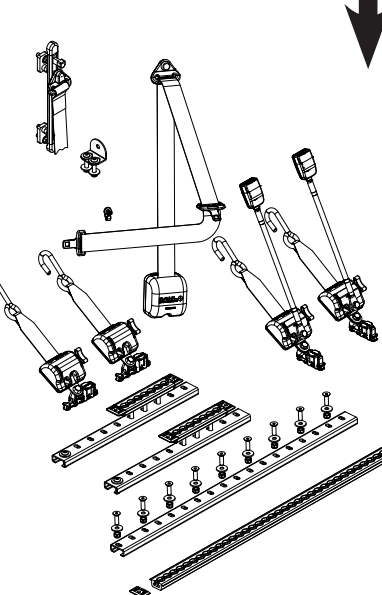
Part no. 501773

VW Caravelle
VW Transporter T5 & T6

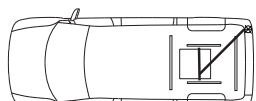
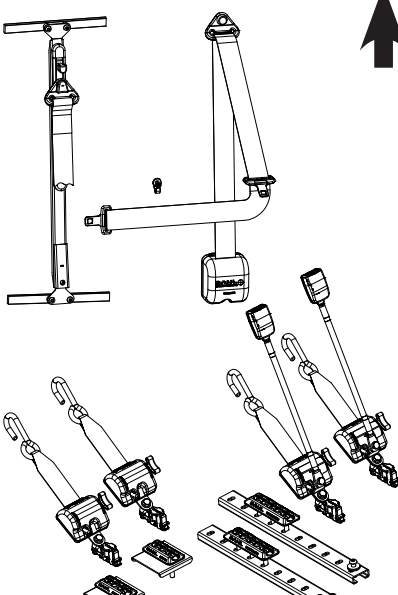
Part no. 501789

MB Vito 639
V-Class W447

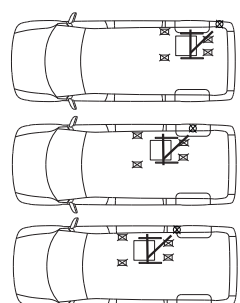
Part no. 501869

High Roof SWB & LWB:
Fiat Dublo
Opel Combo

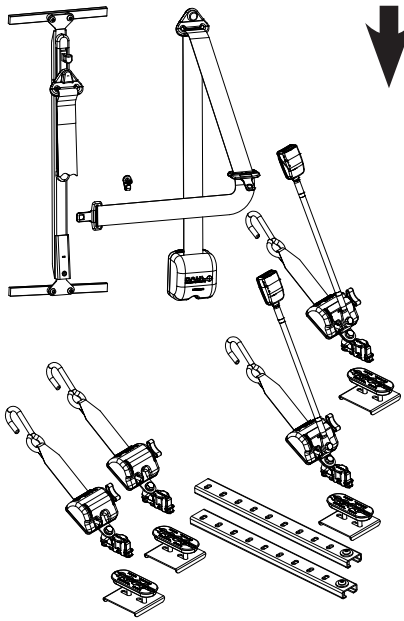



Part no. 501885

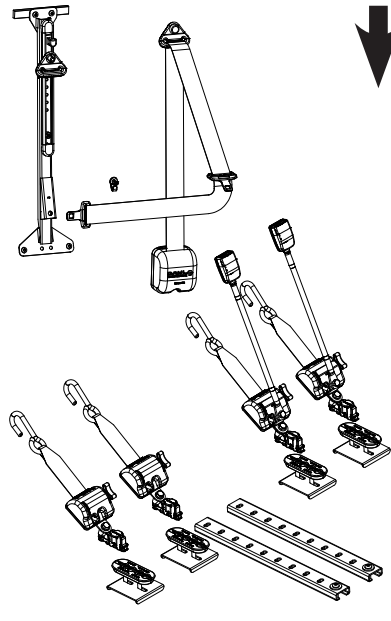
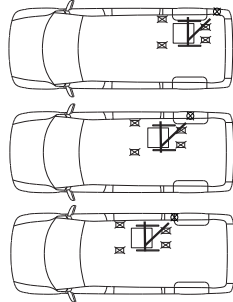
Opel Movano X62
Renault Master X62
Nissan NV400



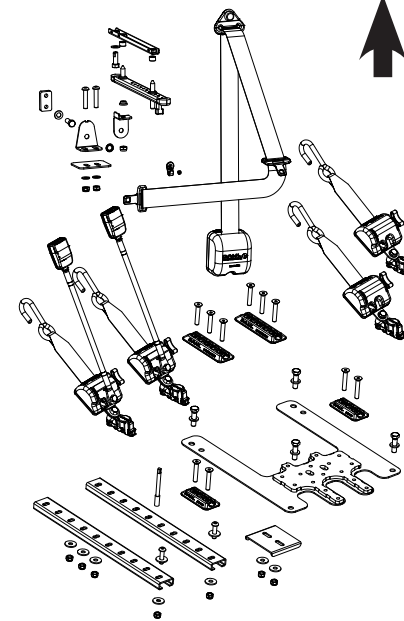
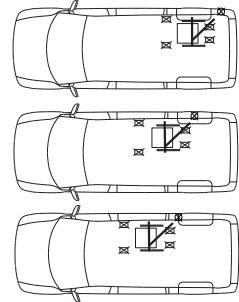
Approved 4-point WTORS installation kits - EVOLUTION LINE 85 kg



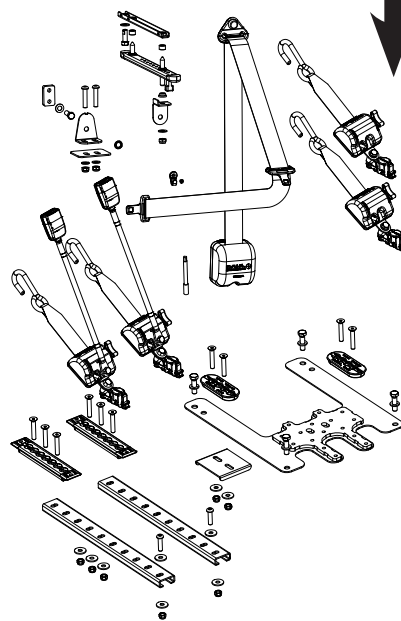
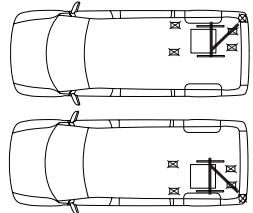
Part no. 501886
 Opel Movano X62
 Renault Master X62
 Nissan NV400



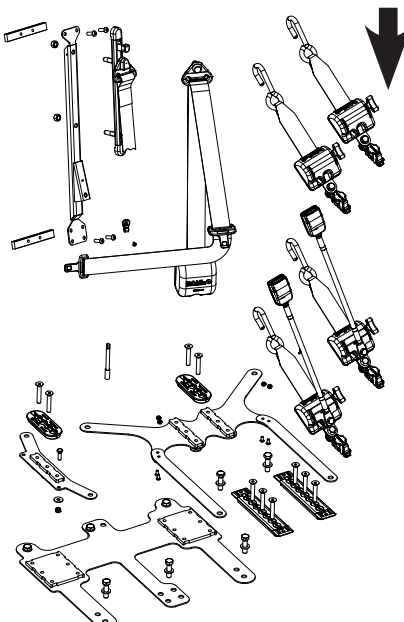
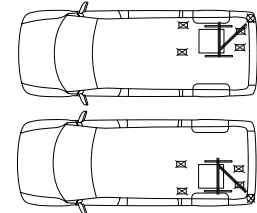
Part no. 503524
 MB Vito & V-Class W447



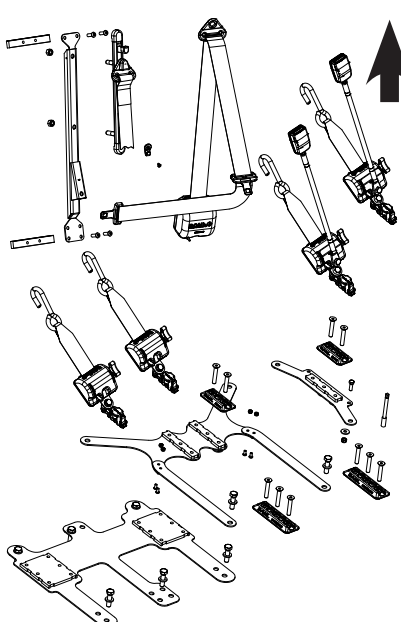
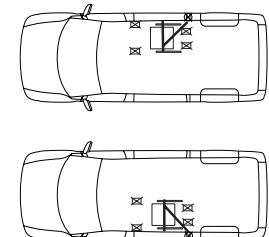
Part no. 500223 *
 Ford Transit Custom V710*
 VW New Transporter /
 Caravelle 2025-



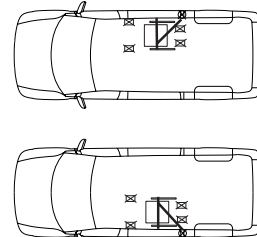
Part no. 500224 *
 Ford Transit Custom V710
 VW New Transporter /
 Caravelle 2025-



Part no. 500247 *
 Ford Transit Custom V710
 VW New Transporter /
 Caravelle 2025-

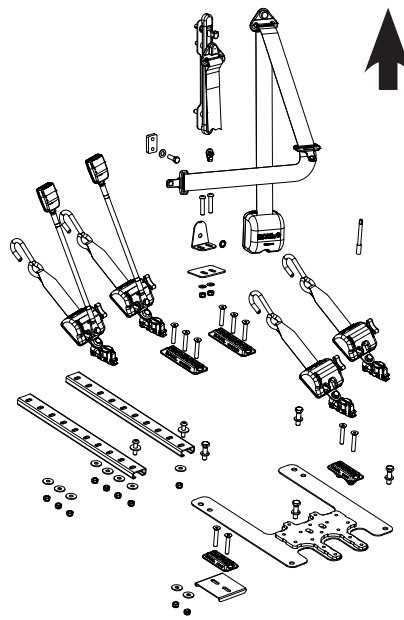


Part no. 500248 *
 Ford Transit Custom V710
 VW New Transporter /
 Caravelle 2025-



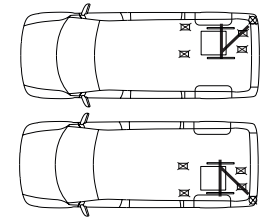
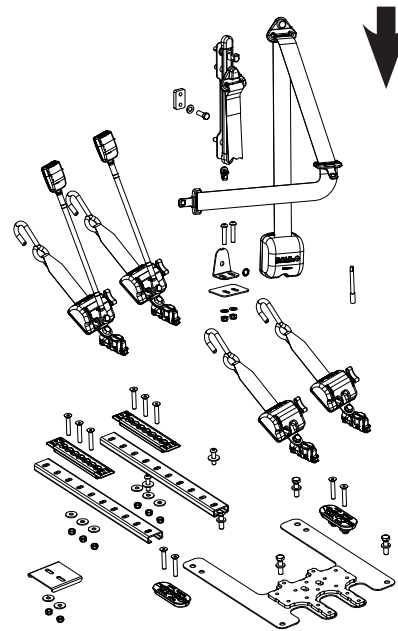
* See also compatibility list on page 38.

Approved 4-point WTORS installation kits - EVOLUTION LINE 85 kg



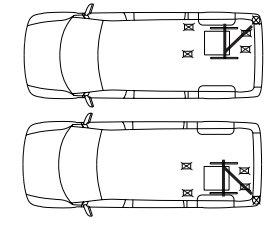
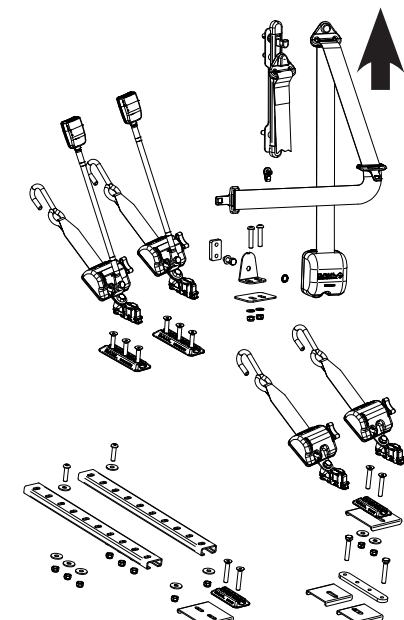
Part no. 500251 *
 Ford Transit Custom V710
 VW New Transporter /
 Caravelle 2025-

FMVSS/CMVSS 210

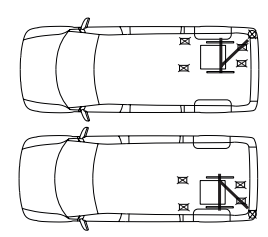
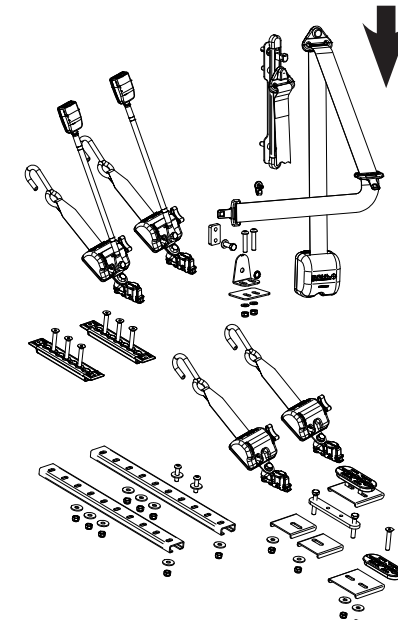
Part no. 500252 *
 Ford Transit Custom V710
 VW New Transporter /
 Caravelle 2025-

FMVSS/CMVSS 210

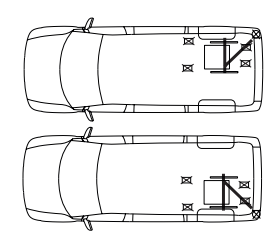
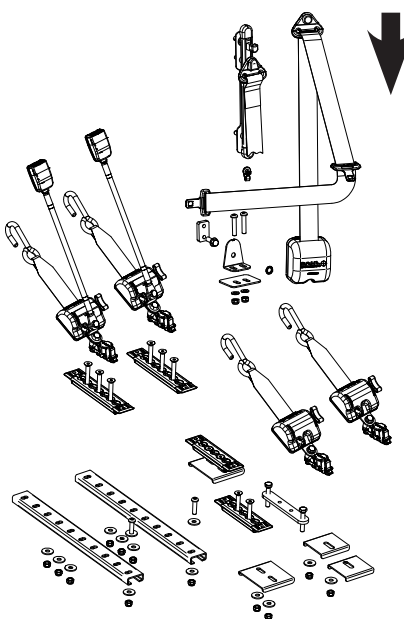
Part no. 504055 *
 Ford Transit Custom V710
 VW New Transporter /
 Caravelle 2025-

FMVSS/CMVSS 210

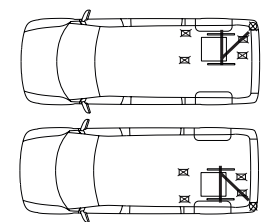
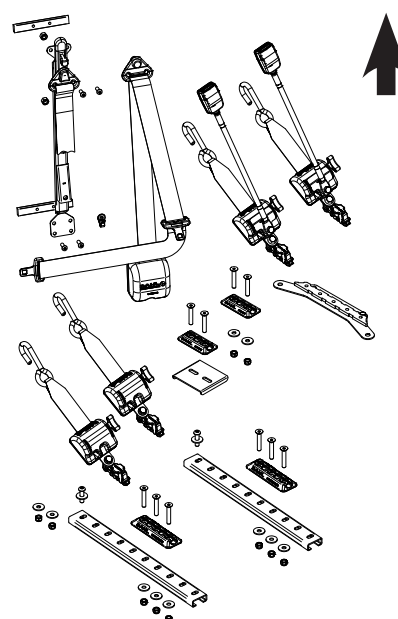
Part no. 504056 *
 Ford Transit Custom V710
 VW New Transporter /
 Caravelle 2025-

FMVSS/CMVSS 210

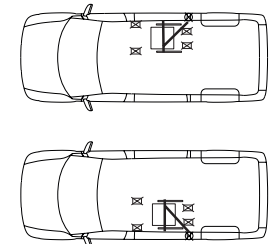
Part no. 504057 *
 Ford Transit Custom V710
 VW New Transporter /
 Caravelle 2025-

FMVSS/CMVSS 210

Part no. 504058 *
 Ford Transit Custom V710
 VW New Transporter /
 Caravelle 2025-

FMVSS/CMVSS 210



* See also compatibility list on page 38.

Approved 4-point WTORS installation kits - EVOLUTION LINE 85 kg

Part no. 504059 *

Ford Transit Custom V710
VW New Transporter /
Caravelle 2025-

FMVSS/CMVSS 210

Part no. 504060 *

Ford Transit Custom V710
VW New Transporter /
Caravelle 2025-

FMVSS/CMVSS 210

Part no. 504115 *

Ford Transit Custom V710
VW New Transporter /
Caravelle 2025-

FMVSS/CMVSS 210

Art. no. 504137 *

Ford Transit Custom V710
VW New Transporter /
Caravelle 2025-

FMVSS/CMVSS 210

Art. no. 504165

Renault Master XDD
Nissan Interstar 2024-

FMVSS/CMVSS 210

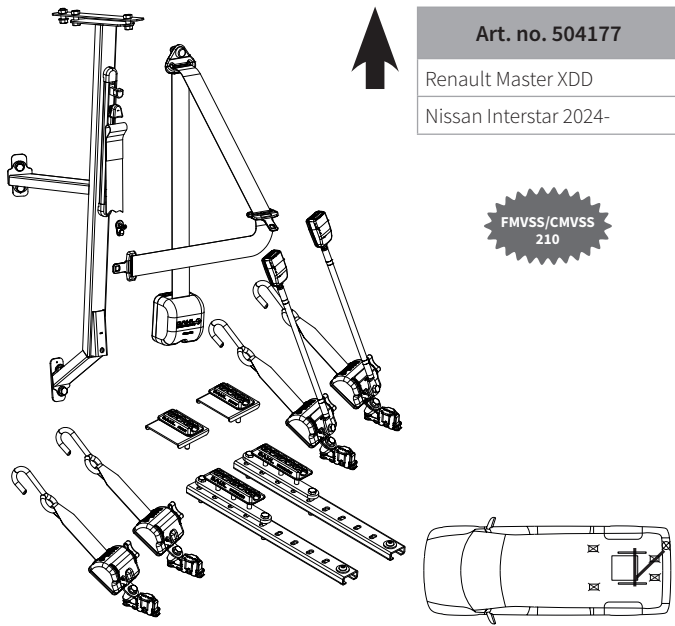
Art. no. 504173

Renault Master XDD
Nissan Interstar 2024-

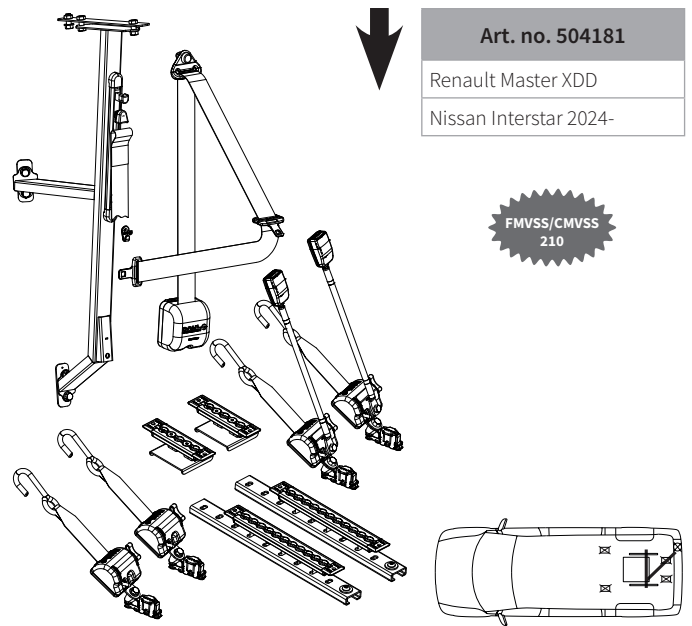
FMVSS/CMVSS 210

* See also compatibility list on page 38.

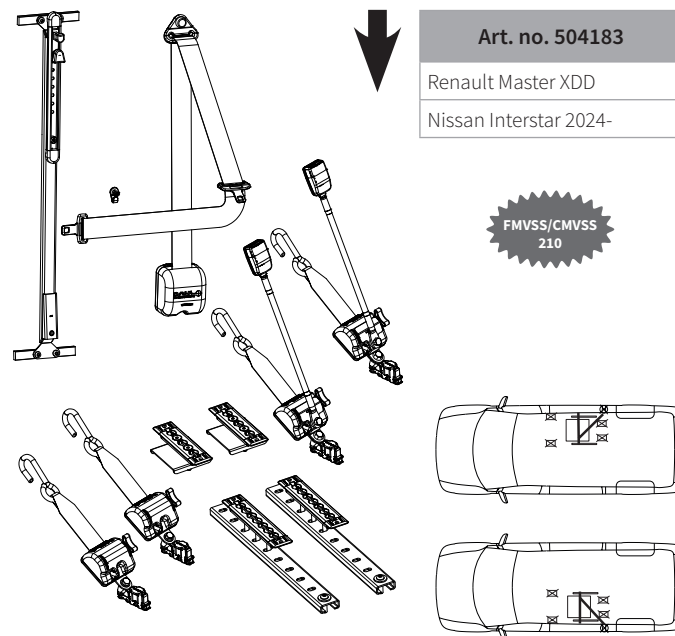
Approved 4-point WTORS installation kits - EVOLUTION LINE 85 kg



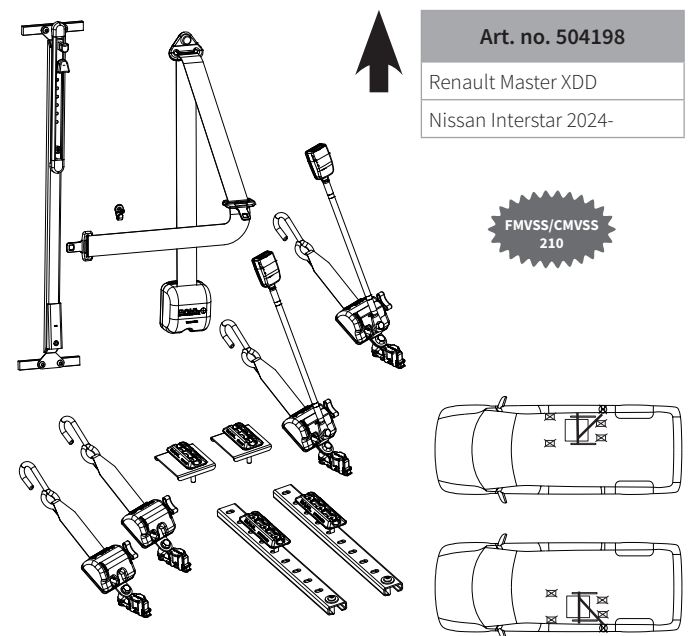
Art. no. 504177
Renault Master XDD
Nissan Interstar 2024-



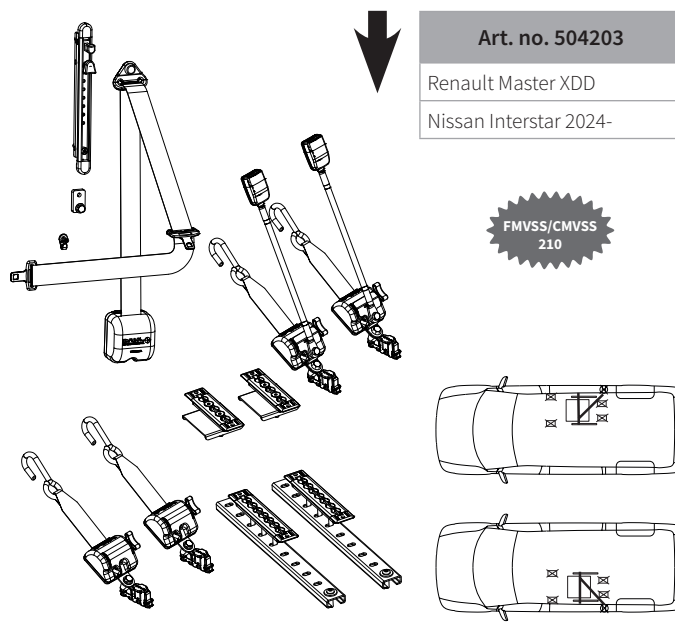
Art. no. 504181
Renault Master XDD
Nissan Interstar 2024-



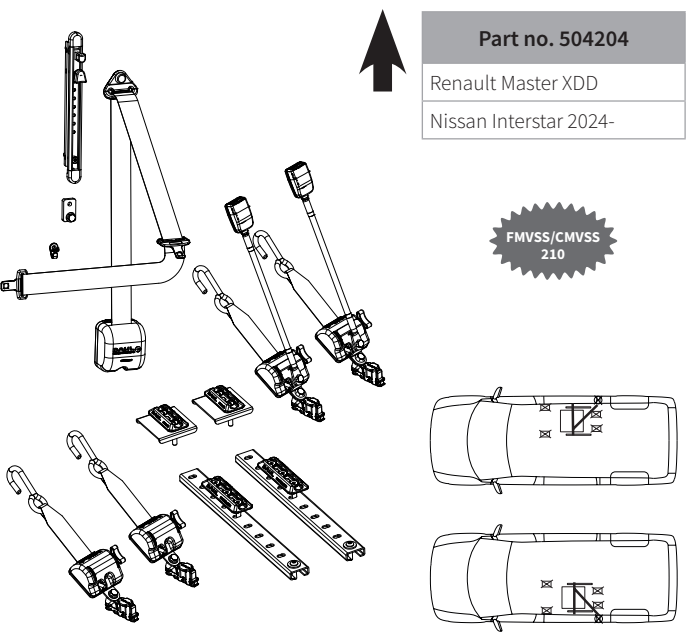
Art. no. 504183
Renault Master XDD
Nissan Interstar 2024-



Art. no. 504198
Renault Master XDD
Nissan Interstar 2024-



Art. no. 504203
Renault Master XDD
Nissan Interstar 2024-



Part no. 504204
Renault Master XDD
Nissan Interstar 2024-

HEAVY DUTY Line – for wheelchairs up to 200 kg plus user

As electrical wheelchairs mostly weigh much more than the 85 kg, that the present regulations for tie-down equipment prescribe, Dahl Engineering has as the first in the world developed a TÜV approved Heavy Duty tiedown system with vehicle specific installation kits, that live up to and surpass EU regulation 2018/858.

These patented kits can be used for wheelchairs with a weight of 200 kg plus user.

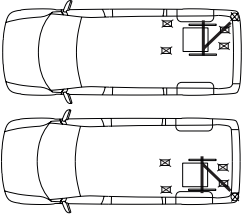


HEAVY DUTY System for wheelchairs up to 200 kg + user

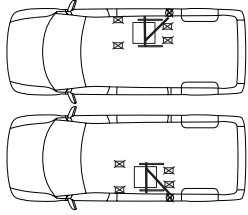
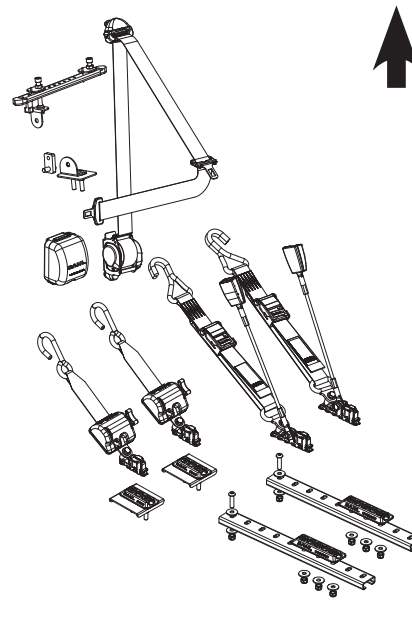
- Tie down system with vehicle specific installation kit
- Kits tested in specific car models and mounting positions
- Dynamically crash-tested with 48 km/h as complete kit (retractor, seat belt, floor brackets, height adjusters)
- Newly developed floor brackets
- TÜV reports and documentation for all vehicle specific installation kits available
- Patented

Approved 4-point WTORS installation kits - HEAVY DUTY LINE 200 kg

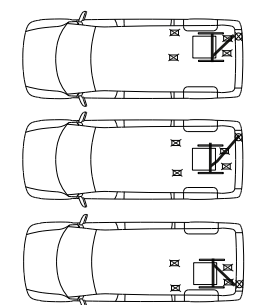
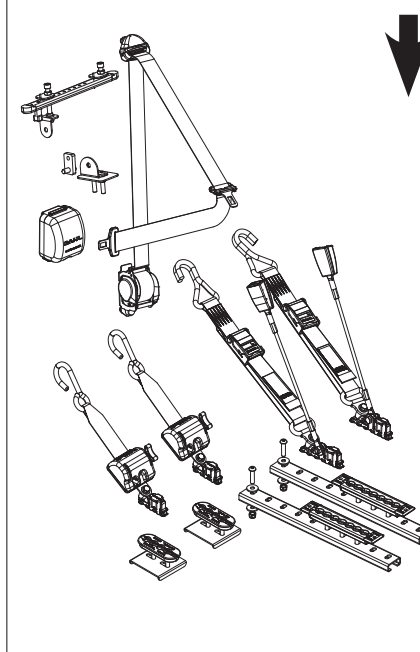
Part no. 503135
Fiat Talento X82
Ford Transit Custom V362
Man TGE 2017 - -
MB Sprinter 906, 907 & 910
Nissan NV300 & NV400
Opel Movano X62
Opel Vivaro X82 & X83
Renault Master X62
Renault Traffic X82 & X83
VW Crafter 2017-
VW T5 & T6



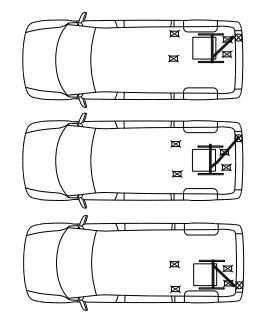
Part no. 503135
Citroën Jumper Y
Fiat Ducato X250
Fiat Talento X82
Ford Transit Custom V362
MB Sprinter 906, 907, 910
MB Vito V-Class W639 & W447
Nissan NV300 & NV400
Opel Movano X62
Opel Vivaro X82 & X83
Peugeot Boxer Y
Renault Master X62
Renault Traffic X82 & X83
VW T5 & T6

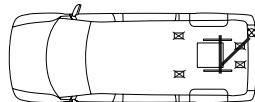
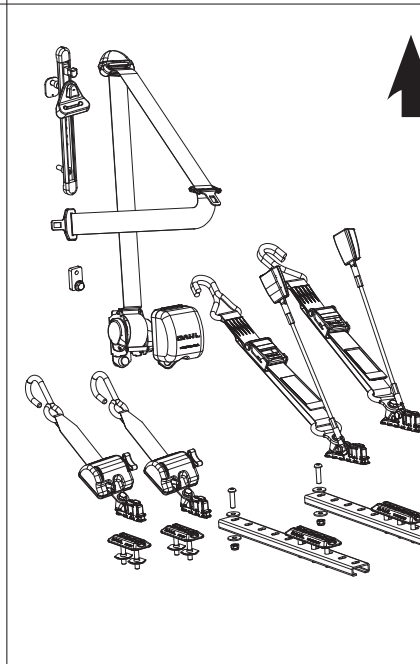
Part no. 503299
Citroën Jumpy / Space Tourer K0
MB Vito/V-Class W639 & 447
Opel Zafira Life
Peugeot Expert / Traveller K0
Toyota Proace / Verso 2016-
VW T5 & T6

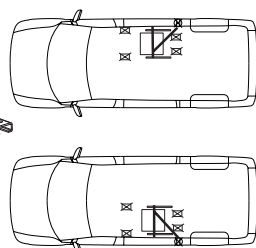
Part no. 503300
Citroën Jumpy / Space Tourer K0
MB Vito/V-Class W639 & 447
Opel Zafira Life
Peugeot Expert / Traveller K0
Toyota Proace / Verso 2016-
VW T5 & T6



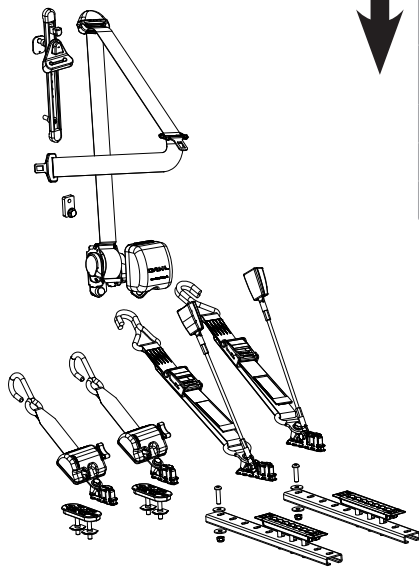
Part no. 503464
Tripod/Allied Drop Floor Conversion:
Citroën Berlingo
Peugeot Partner

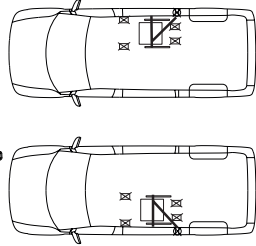
Part no. 503472
Citroën Jumpy / Space Tourer K0
Opel Zafira Life
Peugeot Expert / Traveller K0
Toyota Proace / Verso 2016-



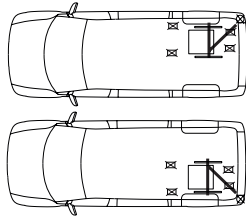
Approved 4-point WTORS installation kits - HEAVY DUTY LINE 200 kg



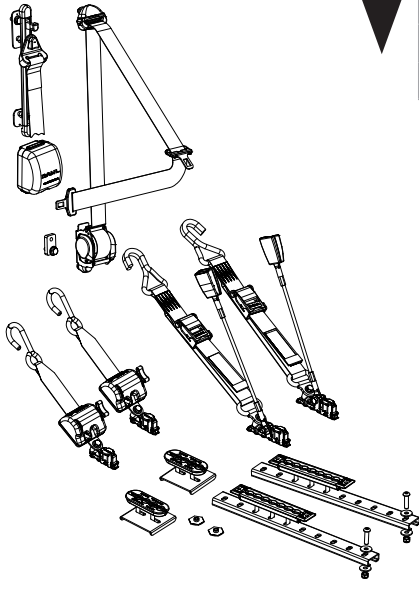
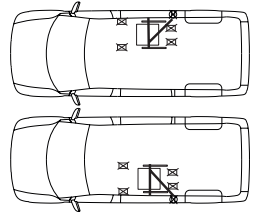
Part no. 503474
Citroën Jumpy / Space Tourer K0
Opel Zafira Life
Peugeot Expert / Traveller K0
Toyota Proace / Verso 2016-



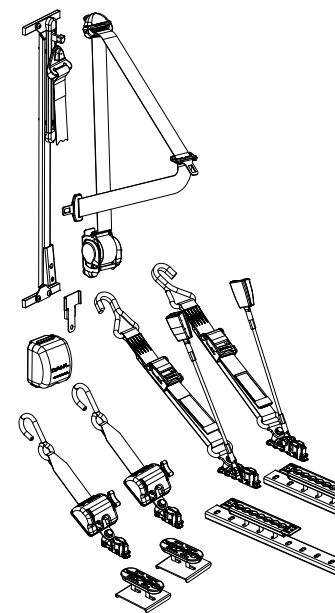
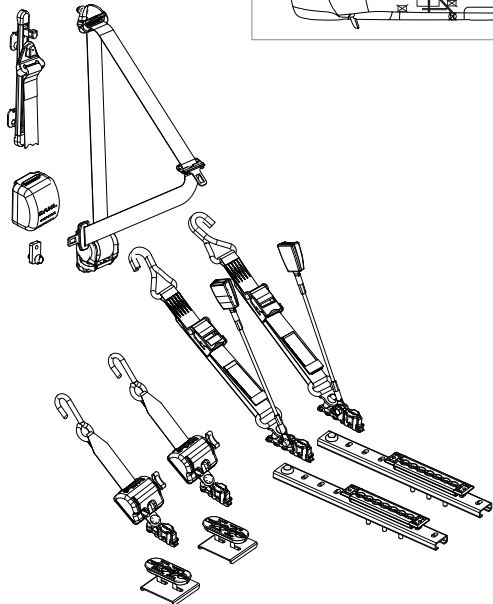
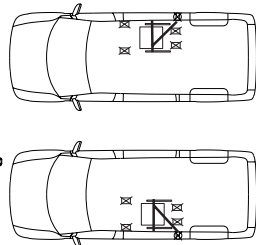
Part no. 503488
Fiat Talento X82
Ford Transit Custom V362
Man TGE 2017 - -
MB Sprinter 906, 907 & 910
Nissan NV300 & NV400
Opel Movano X62
Opel Vivaro X82 & X83
Renault Master X62
Renault Traffic X82 & X83
VW Crafter 2017-
VW T5 & T6



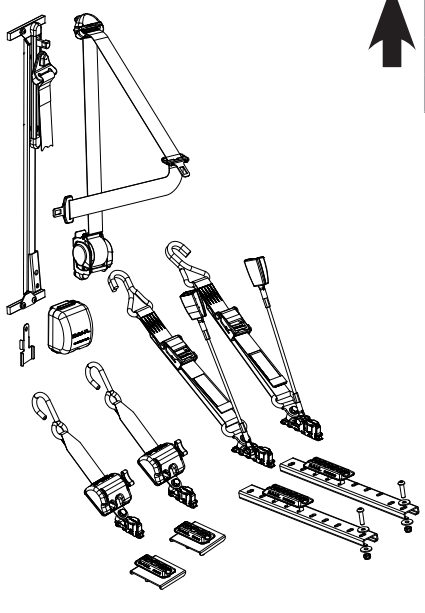
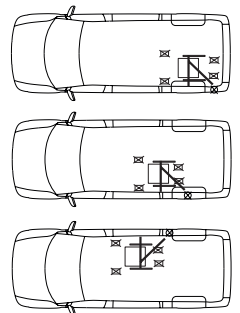
Part no. 503488
Citroën Jumper Y
Fiat Ducato X250
Fiat Talento X82
Ford Transit Custom V362
MB Sprinter 906, 907, 910
MB Vito V-Class W639 & W447
Nissan NV300 & NV400
Opel Movano X62
Opel Vivaro X82 & X83
Peugeot Boxer Y
Renault Master X62
Renault Traffic X82 & X83
VW T5 & T6



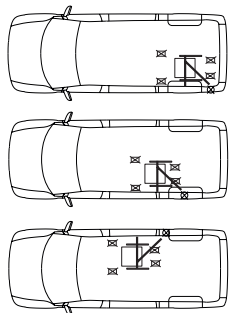
Part no. 503493
Man TGE 2017 -
VW Crafter 2017-



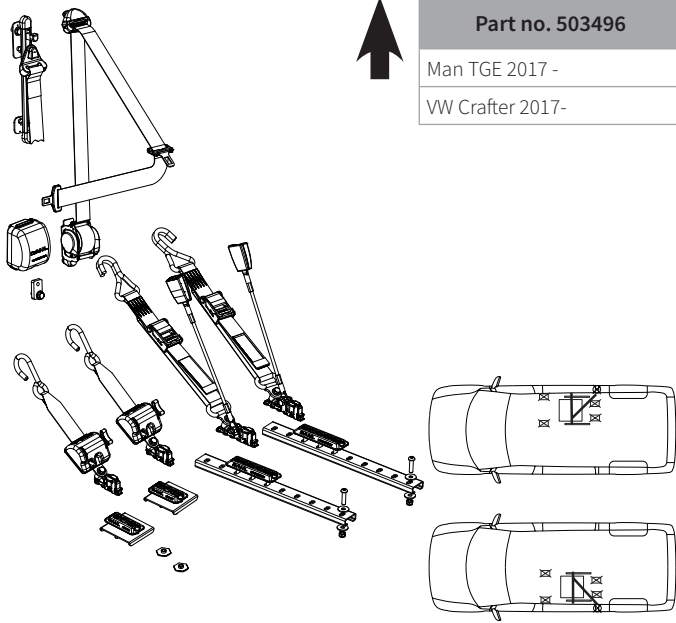
Part no. 503495
Man TGE 2017 -
VW Crafter 2017-



Part no. 503494
Man TGE 2017 -
VW Crafter 2017-

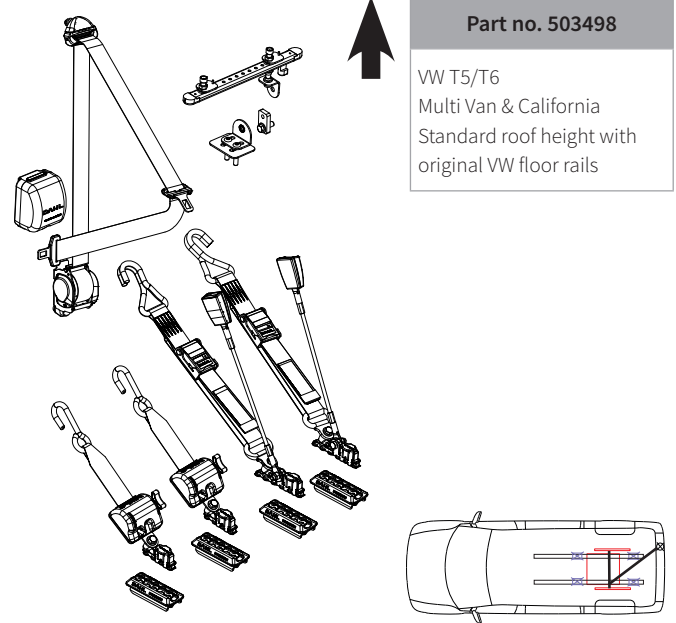


Approved 4-point WTORS installation kits - HEAVY DUTY LINE 200 kg



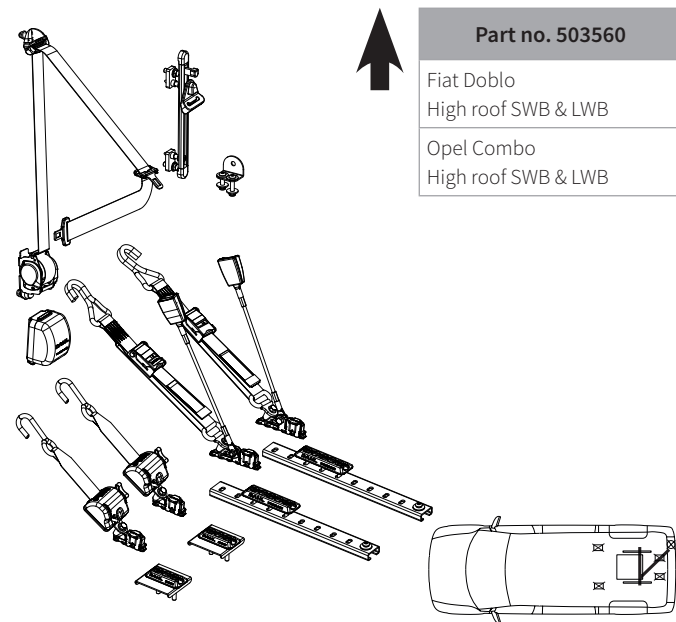
Part no. 503496

Man TGE 2017 -
VW Crafter 2017-



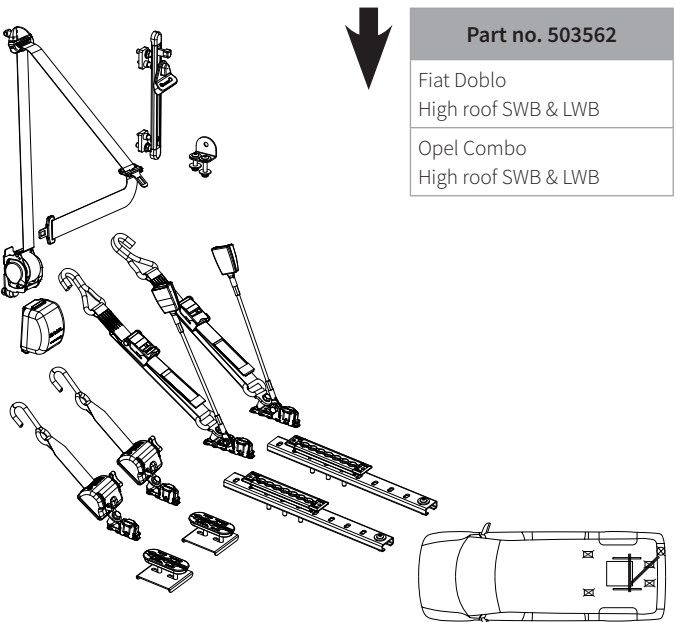
Part no. 503498

VW T5/T6
Multi Van & California
Standard roof height with
original VW floor rails



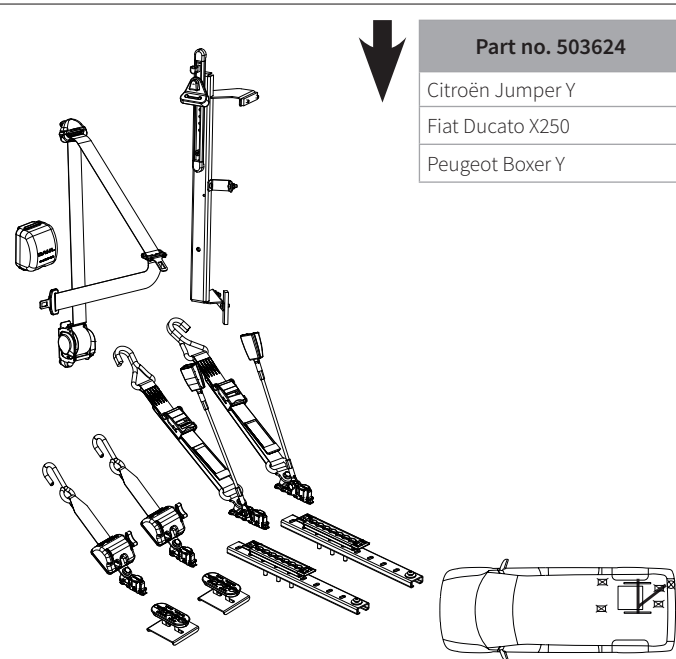
Part no. 503560

Fiat Doblo
High roof SWB & LWB
Opel Combo
High roof SWB & LWB



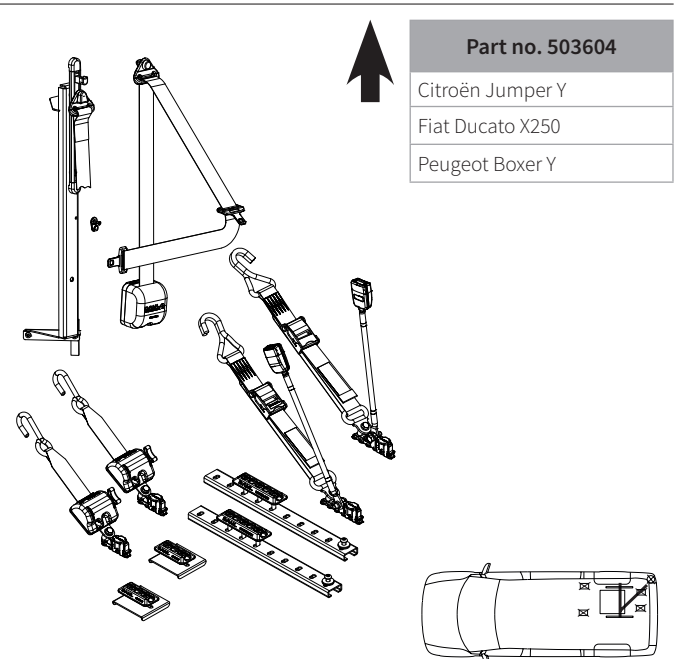
Part no. 503562

Fiat Doblo
High roof SWB & LWB
Opel Combo
High roof SWB & LWB



Part no. 503624

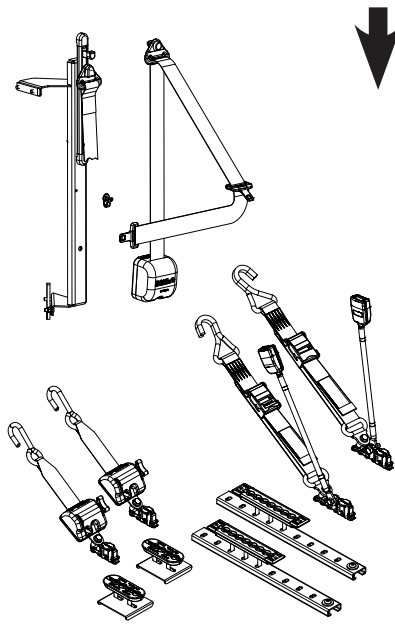
Citroën Jumper Y
Fiat Ducato X250
Peugeot Boxer Y



Part no. 503604

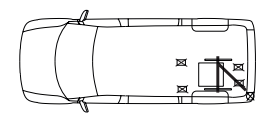
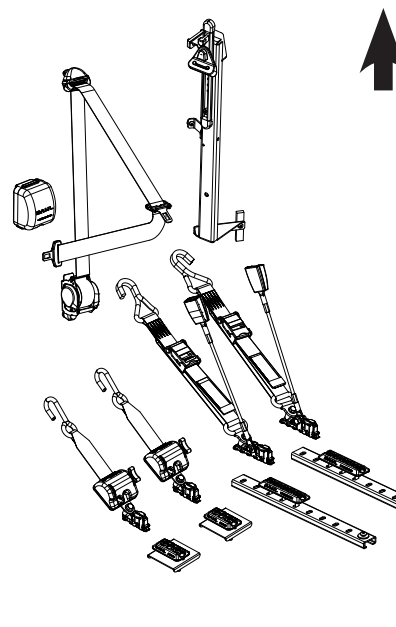
Citroën Jumper Y
Fiat Ducato X250
Peugeot Boxer Y

Approved 4-point WTORS installation kits - HEAVY DUTY LINE 200 kg



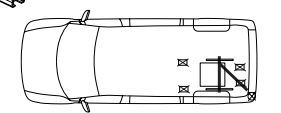
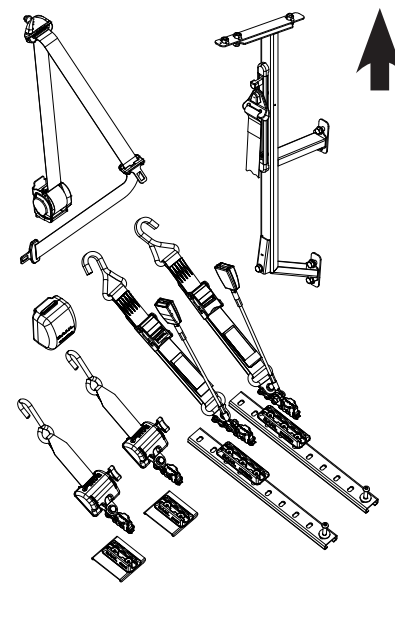
↓

Part no. 503605	
Citroën Jumper Y	
Fiat Ducato X250	
Peugeot Boxer Y	

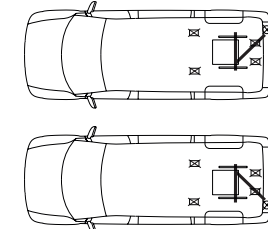
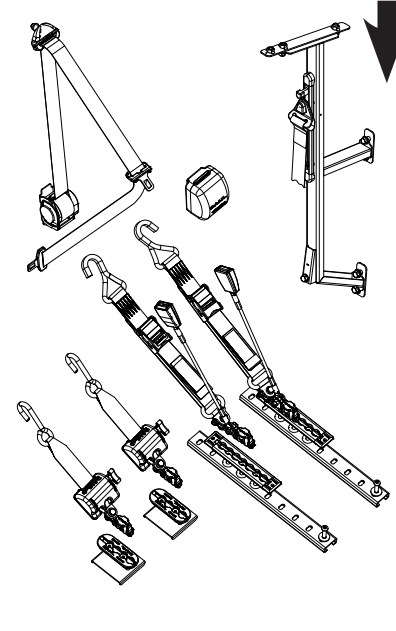
↑

Part no. 503625	
Citroën Jumper Y	
Fiat Ducato X250	
Peugeot Boxer Y	

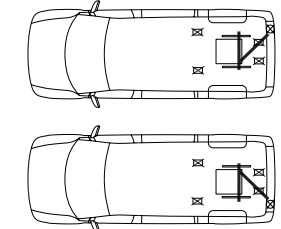
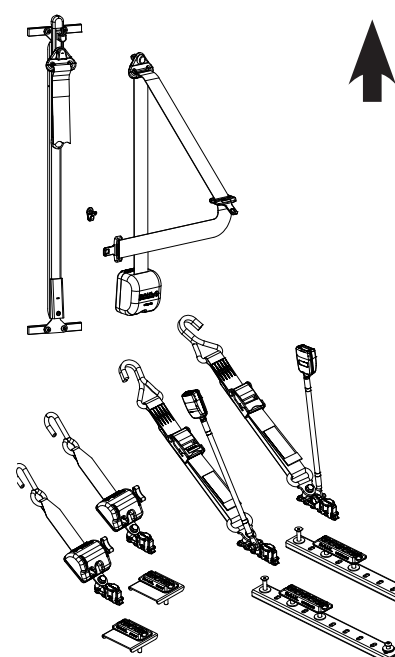
↑

Part no. 500118	
MAN TGE 2017-	
Mercedes Sprinter 907&910	
VW Crafter 2006-2016	
VW Crafter 2017-	
HIGH ROOF ONLY	

↓

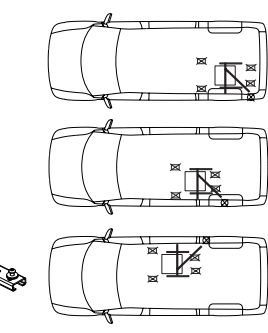
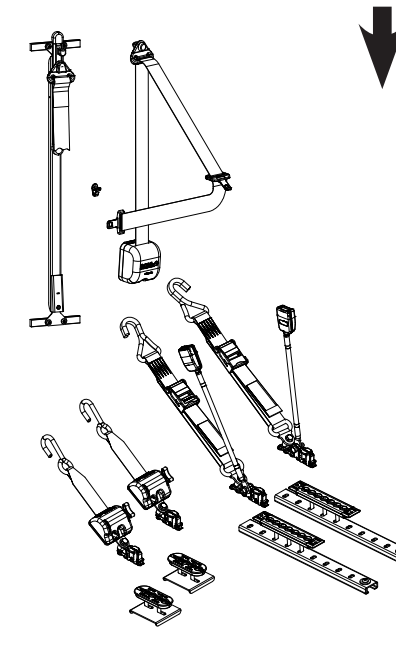
Part no. 500119	
MAN TGE 2017-	
Mercedes Sprinter 907&910	
VW Crafter 2006-2016	
VW Crafter 2017-	
HIGH ROOF ONLY	

↑

Part no. 500826	
MB Sprinter 906, 907 & 910	
VW Crafter 2006-2016	

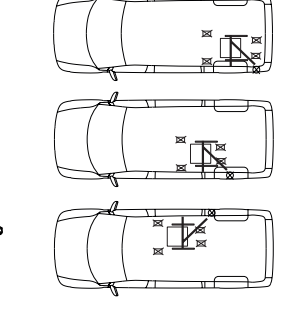
FMVSS/CMVSS
210

↓

Part no. 500827	
MB Sprinter 906, 907 & 910	
VW Crafter 2006-2016	

FMVSS/CMVSS
210



Approved 4-point WTORS installation kits - HEAVY DUTY LINE 200 kg

Part no. 504249
Renault Master XDD
Nissan Interstar 2024-

FMVSS/CMVSS 210

Part no. 504279
Ford Transit Custom V710
VW New Transporter /
Caravelle 2025-

FMVSS/CMVSS 210

Part no. 504280
Ford Transit Custom V710
VW New Transporter /
Caravelle 2025-

FMVSS/CMVSS 210

Part no. 504281
Ford Transit Custom V710
VW New Transporter /
Caravelle 2025-

FMVSS/CMVSS 210

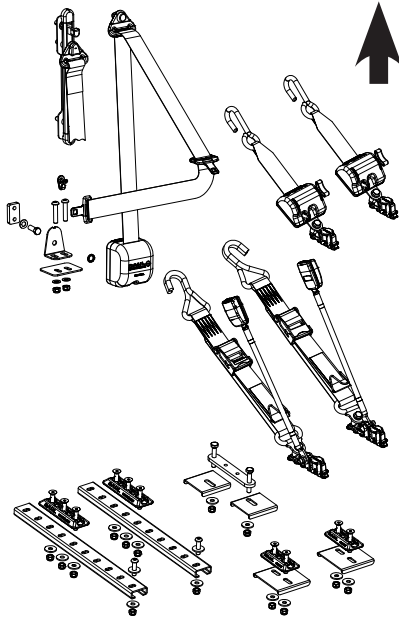
Part no. 504282
Ford Transit Custom V710
VW New Transporter /
Caravelle 2025-

FMVSS/CMVSS 210

Part no. 504283
Ford Transit Custom V710
VW New Transporter /
Caravelle 2025-

FMVSS/CMVSS 210

Approved 4-point WTORS installation kits - HEAVY DUTY LINE 200 kg

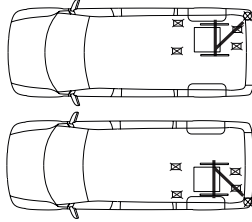


Part no. 504284

Ford Transit Custom V710

VW New Transporter /
Caravelle 2025-

FMVSS/CMVSS
210



COMFORT SEAT™



COMFORT SEAT™ is the only seat on the market for minibuses with a built-in 3-point seatbelt and designed with extra lateral support and upholstery springs in both the seat cushion and back.

COMFORT SEAT™ thus has the same level of comfort as passenger car seats. Normally the seat and back in minibuses are upholstered on metal or plywood sheets.

COMFORT SEAT™ can be supplied with adjustable armrests and slide rails.

Here shown are approved design examples based on our COMFORT Seat and VarioDock™

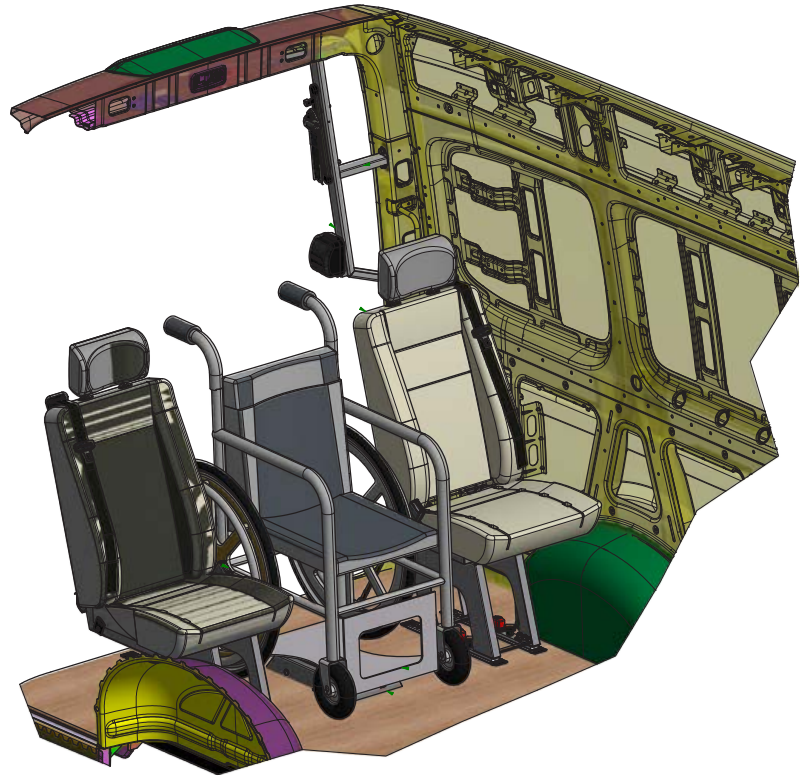
The Dahl VarioDock system provides more flexibility and versatility than any other fastening system on the market, as this is the only system approved for anchoring both seats and wheelchairs. In vehicles equipped with the VarioDock system, the layout and seat configuration can be changed faster than with any other fastening system and this requires less work and time consumption than any other system.

We have chosen to show one example per vehicle model, but there are countless options.

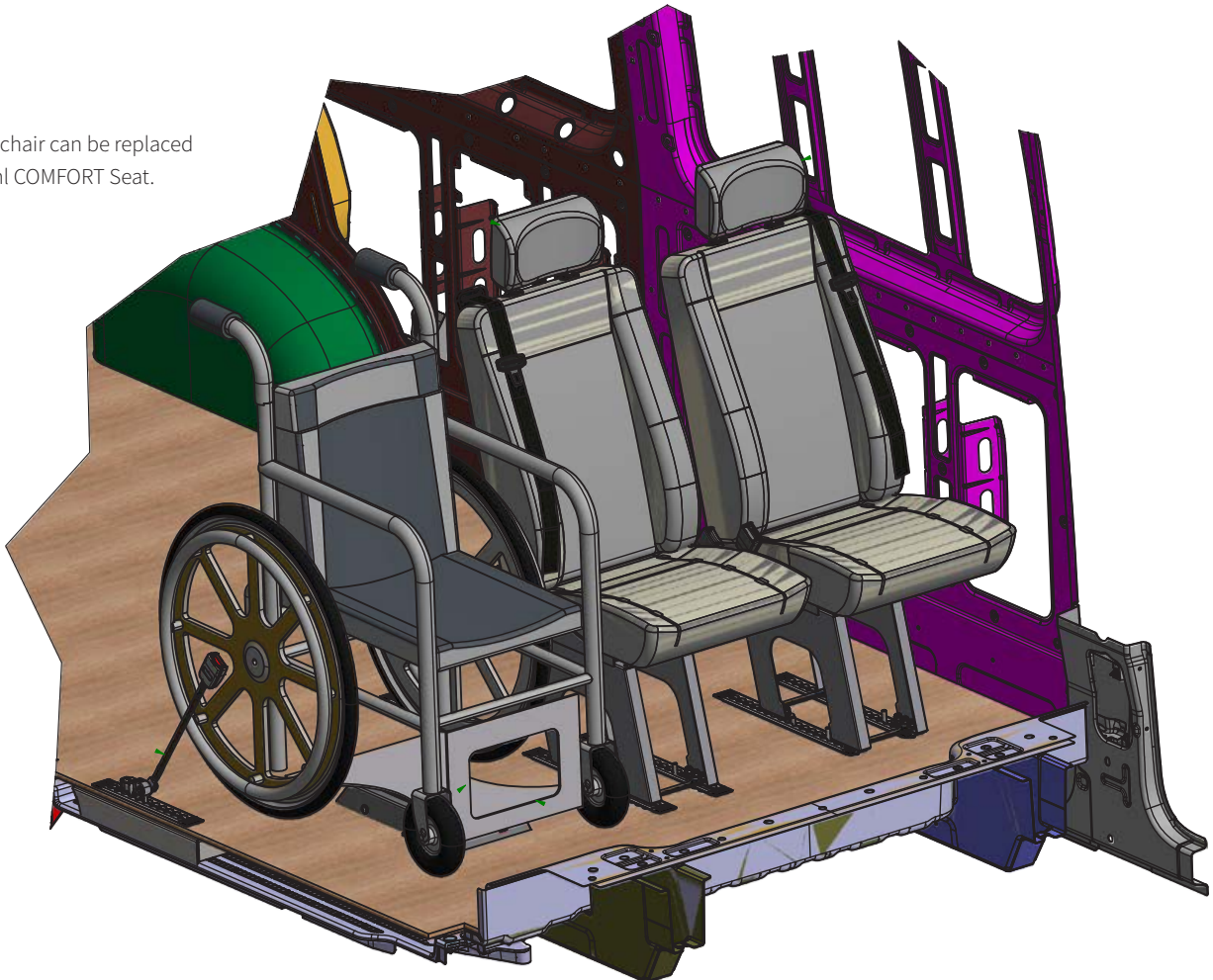
Please contact us in order to find the specific design you need.

BE CAREFUL

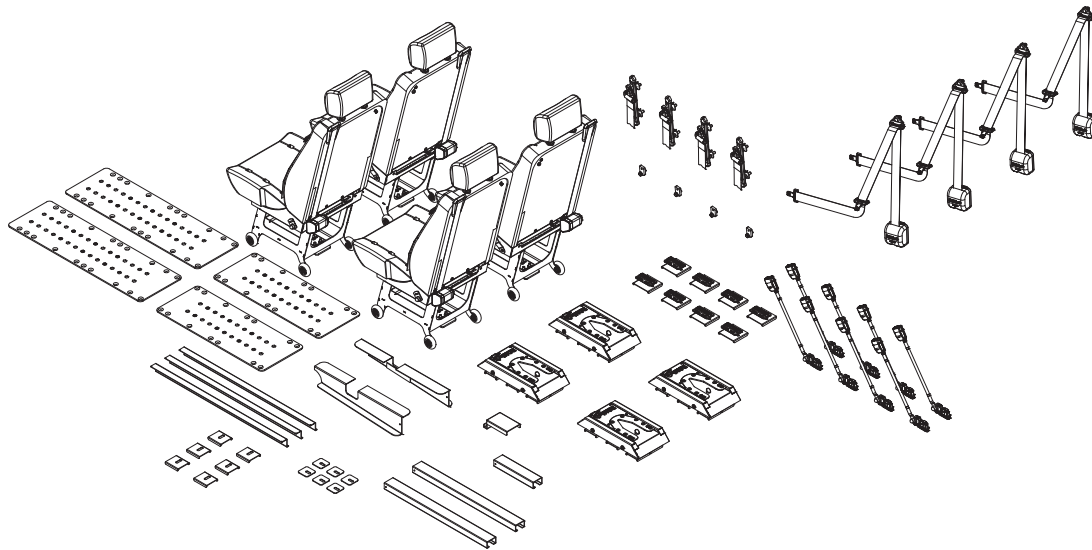
to check vehicle categorization (M1, M2 or M3), wheel-base, equipment variants, original and retrofitted equipment, such as a lift, which is decisive for whether a vehicle is suitable for a given layout, as this affects the vehicle's payload, requirements for distance between seats and wheelchairs, aisle width and access to emergency exits, etc.



The wheelchair can be replaced by the Dahl COMFORT Seat.

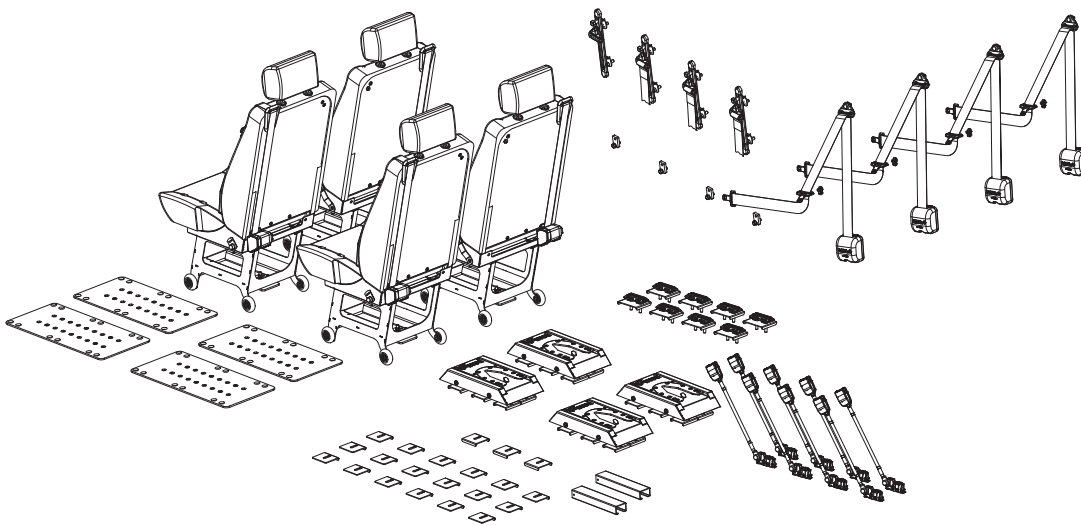
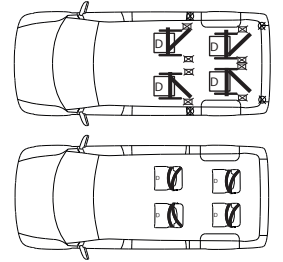


Dahl VarioDock System - design examples for anchoring seats



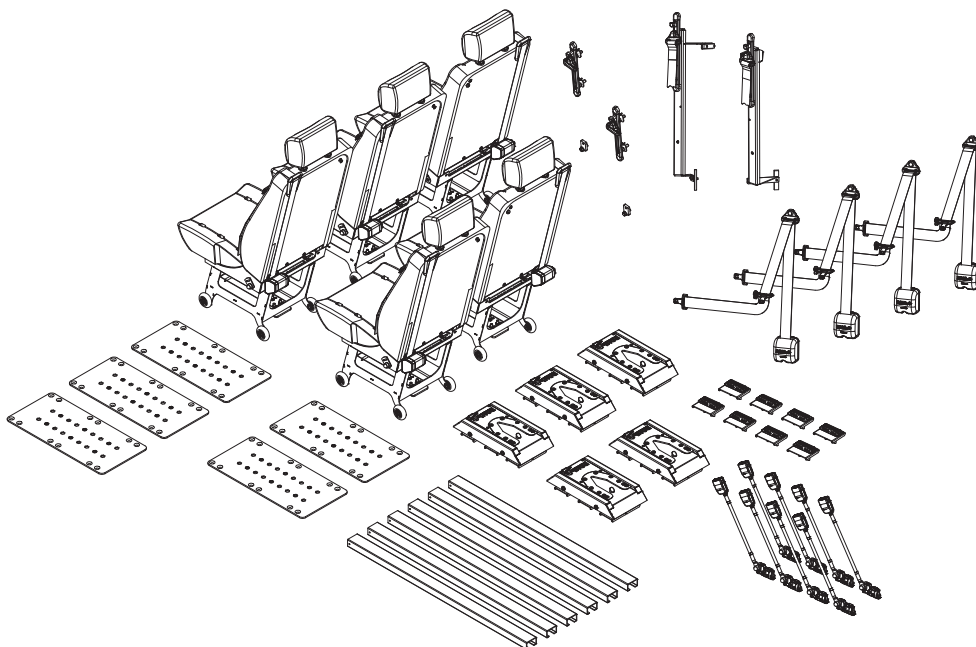
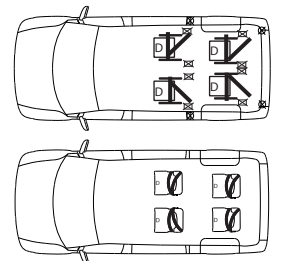
Part no. 503661

VW T5 & T6



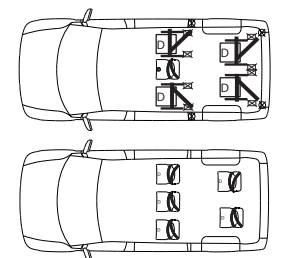
Part no. 503662

Mercedes Vito &
V-Class W447

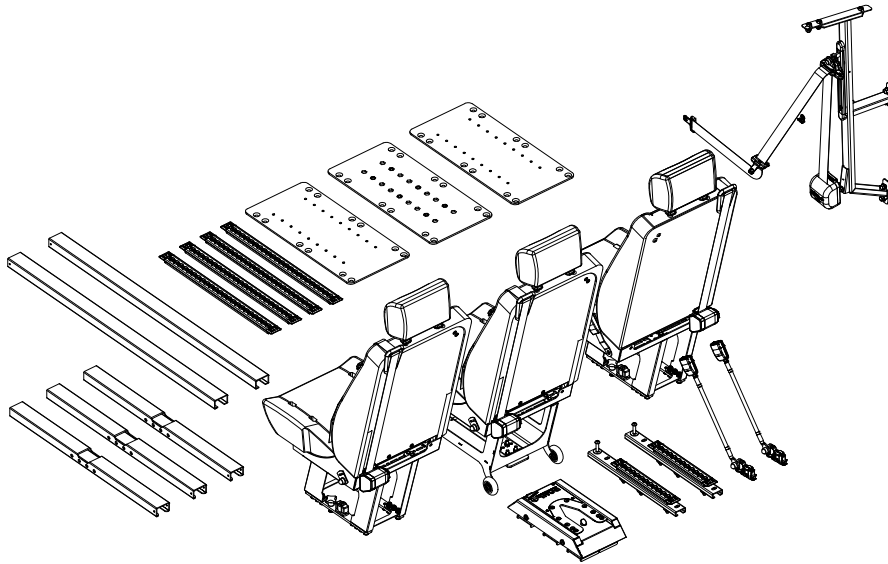


Part no. 503663

Citroën Jumper Y
Fiat Ducato X250
Peugeot Boxer Y



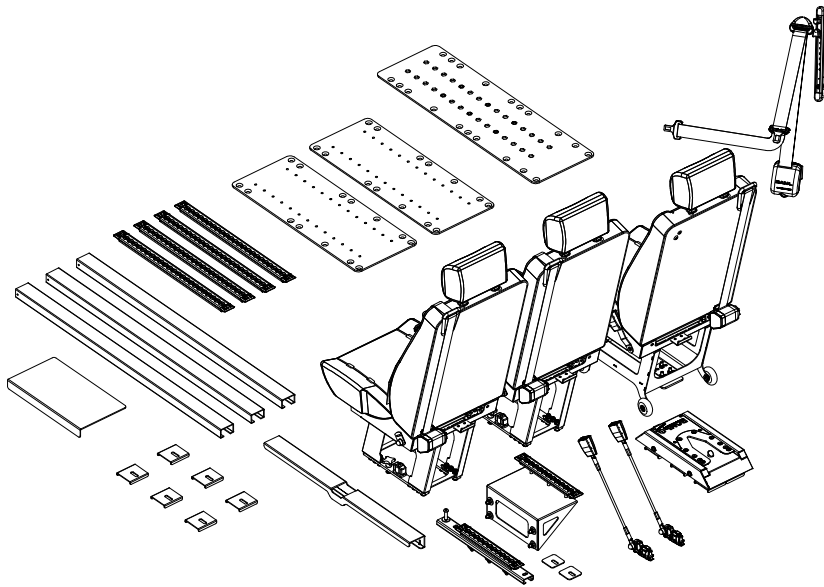
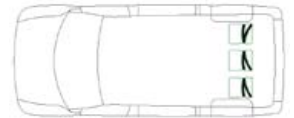
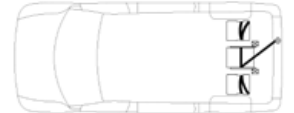
Dahl VarioDock System - design examples for anchoring seats



Part no. 503776

MB Sprinter 906, 907 & 910

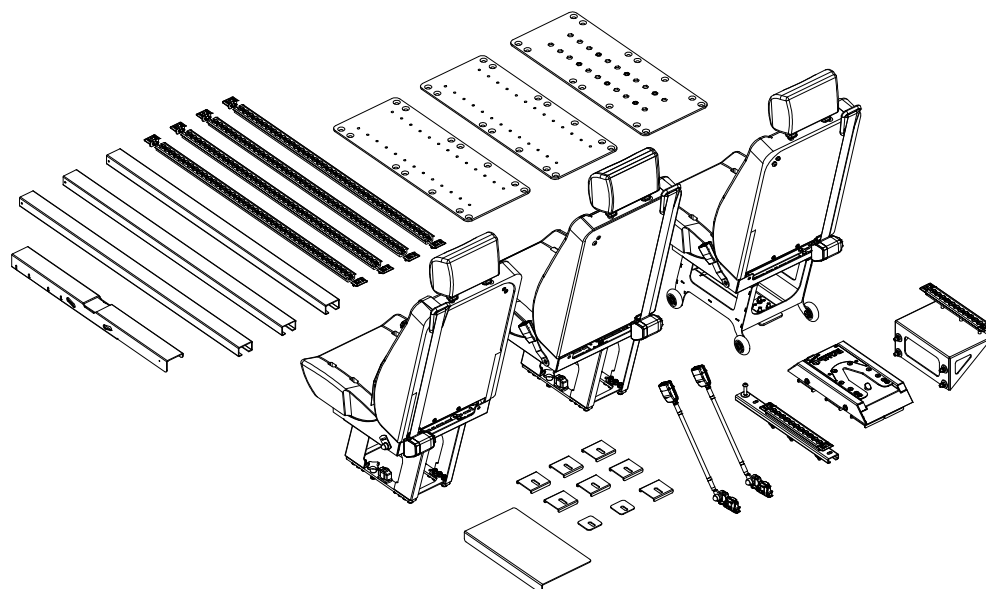
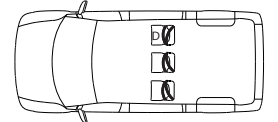
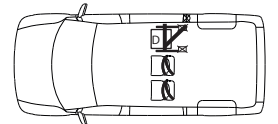
VW Crafter -2017



Part no. 503779

MB Sprinter 906, 907 & 910

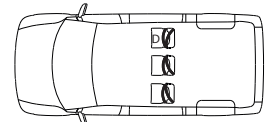
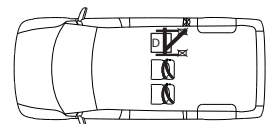
VW Crafter -2017



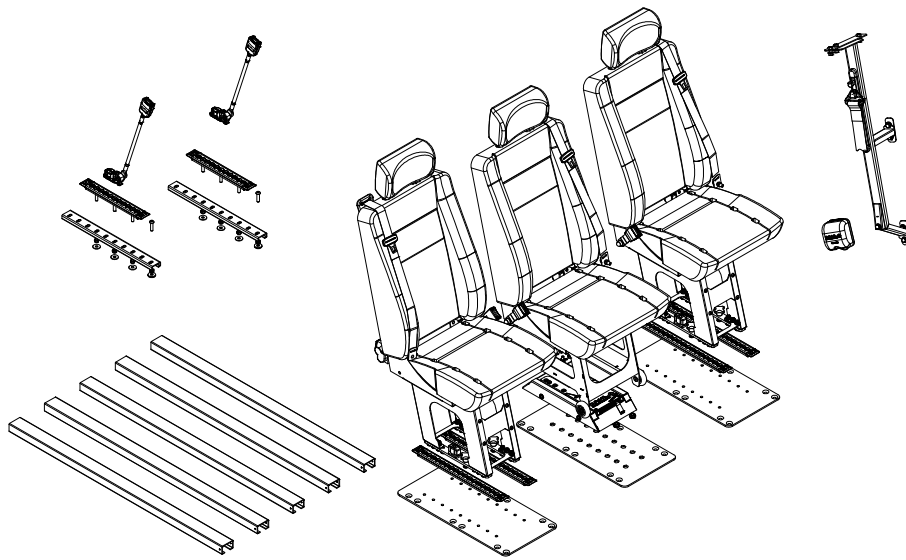
Part no. 501155

MB Sprinter 906, 907 & 910

VW Crafter -2017



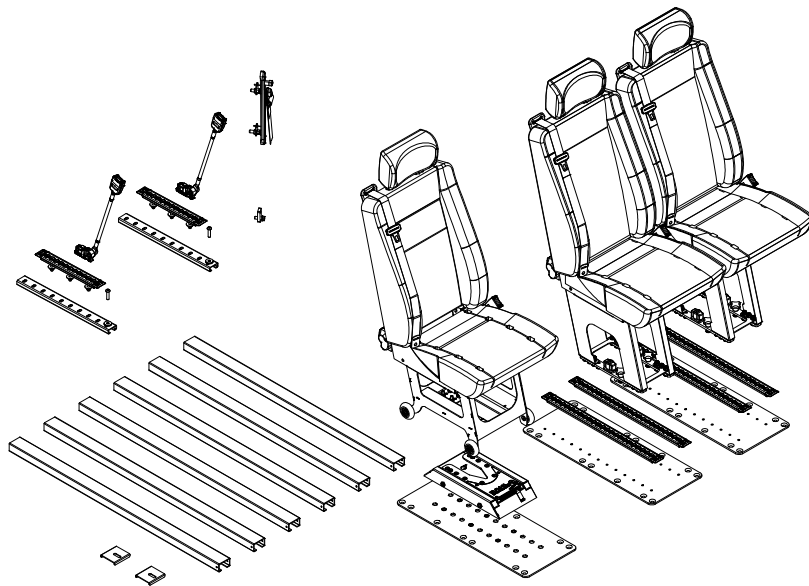
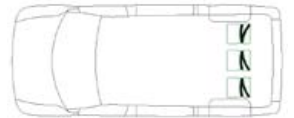
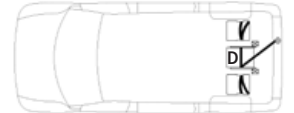
Dahl VarioDock System - design examples for anchoring seats



Part no. 501451

MAN TGE 2017-

VW Crafter -2017

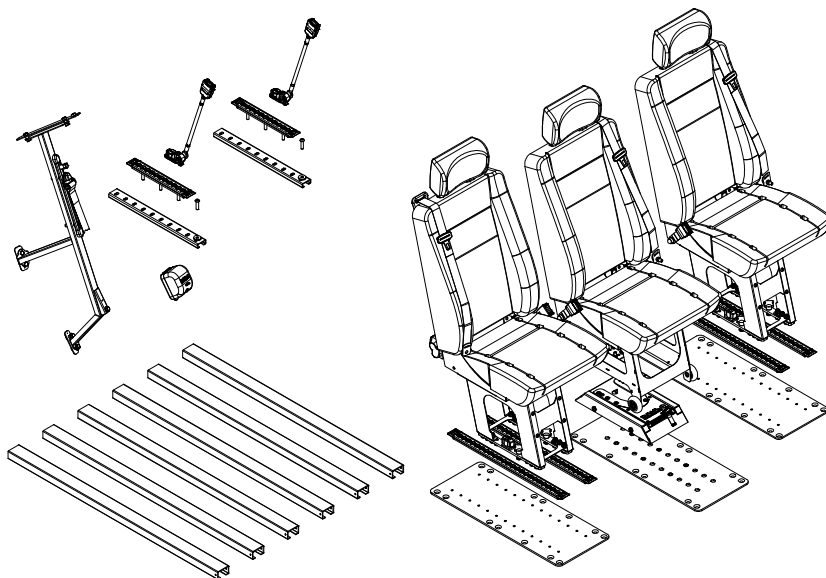
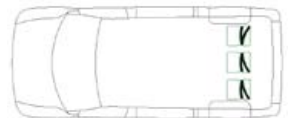


Part no. 501457

Nissan NV400

Opel Movano X62

Renault Master X62

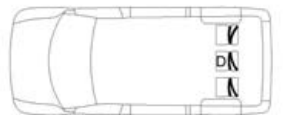
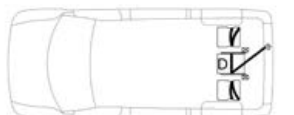


Part no. 501458

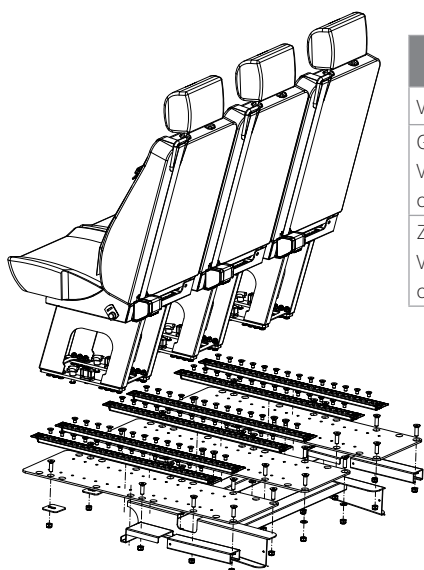
Nissan NV400

Opel Movano X62

Renault Master X62



Dahl COMFORT Seat - Approved installation kits

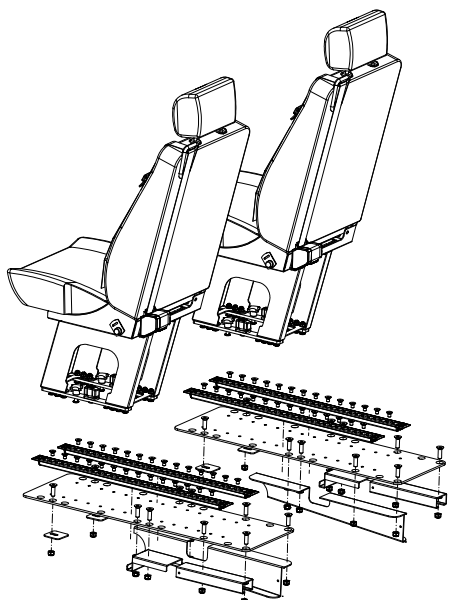
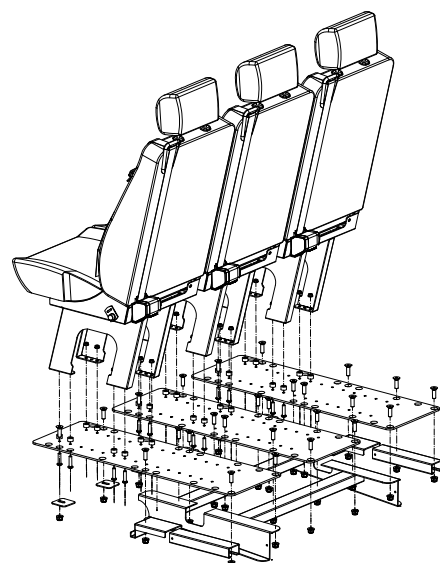
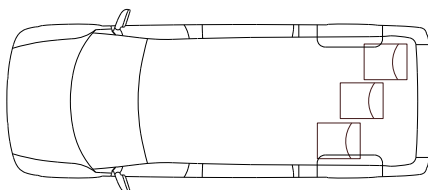


Part no. 503380
VW T5 & T6 original floor
GM Coachwork Colorado VW T5 & T6 drop floor conversion
Zawatzky centervan VW T5 & T6 drop floor conversion

DAHL COMFORT SEAT

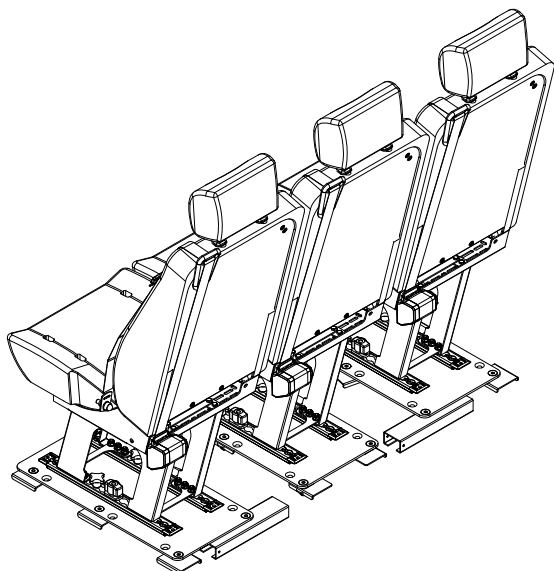
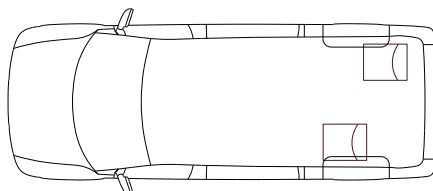
Part no. 503382
VW T5 & T6 original floor
GM Coachwork Colorado VW T5 & T6 drop floor conversion
Zawatzky centervan VW T5 & T6 drop floor conversion

DAHL COMFORT SEAT

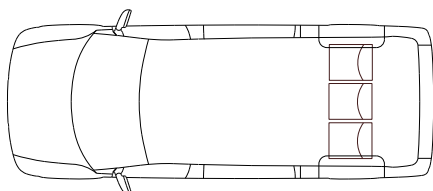


Part no. 503381
VW T5 & T6 original floor
GM Coachwork Colorado VW T5 & T6 drop floor conversion
Zawatzky centervan VW T5 & T6 drop floor conversion

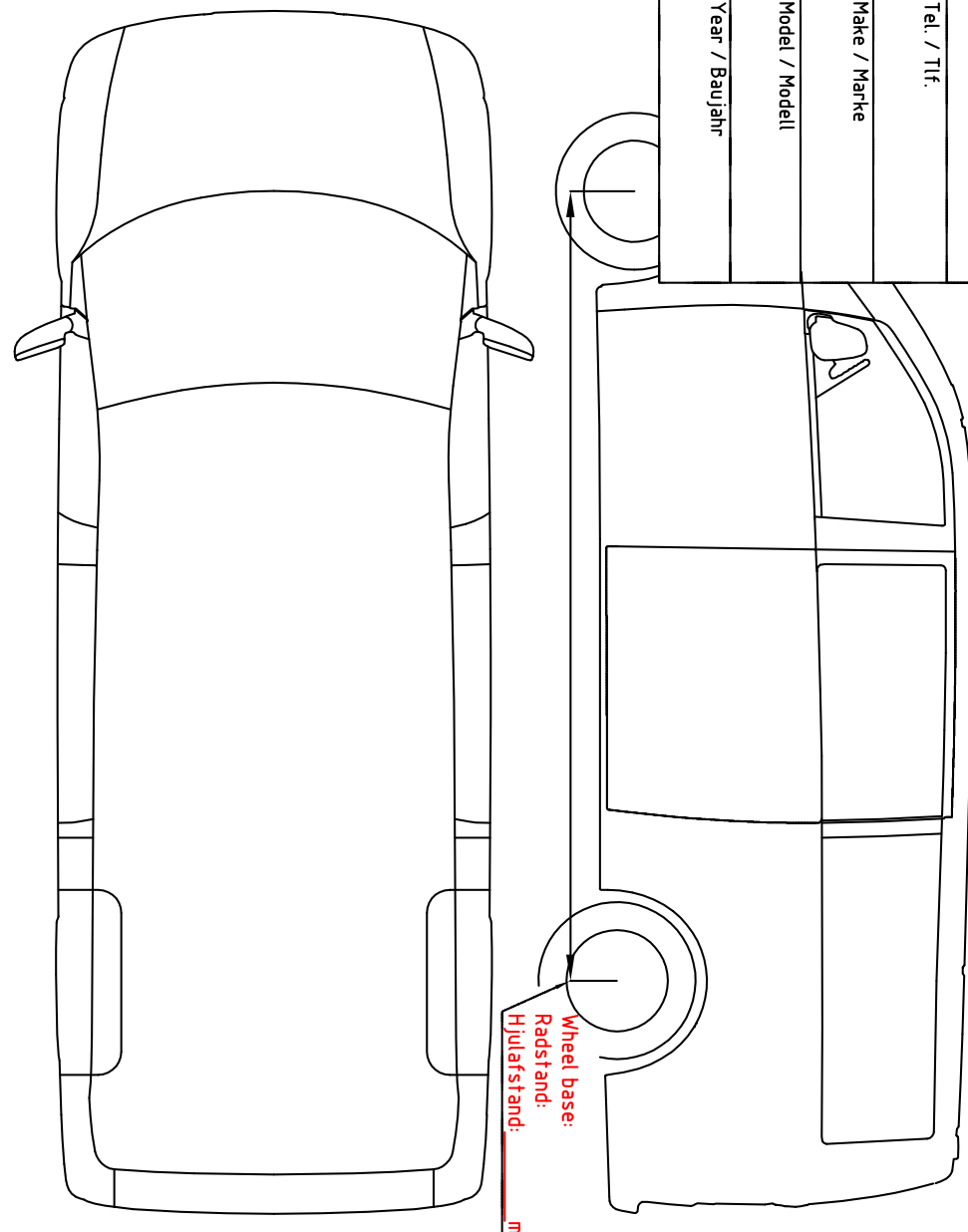


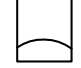

DAHL COMFORT SEAT



Part no. 503960
MB Vito V-Class 639-2
MB Vito W447



Layout Sketch

	<div style="display: flex; justify-content: space-between;"> <div style="width:45%;"> <p>Company / Firma</p> <hr/> <p>Tel. / Tlf.</p> <hr/> <p>Make / Marke</p> <hr/> <p>Model / Modell</p> <hr/> <p>Year / Baujahr</p> <hr/> </div> <div style="width:50%;">  </div> </div>									
<input checked="checked" type="checkbox"/>	= Shoulder belt anchorage Skulderseløforankring		= Wheelchair w. Dahl Docking Rollstuhl m. Dahl Docking Kørestol m. Dahl Docking	<input type="checkbox"/>	= Steering wheel Lenkrad Rat	Qty.	Art. #	Description	Price each	Total
<input type="checkbox"/>	= Floor rail Bodenschiene Gulvskinne		= DAHL DOCKING STATION	<input checked="checked" type="checkbox"/>	= Wheelchair w. 4. p. tie down Rollstuhl m. 4. p. Hålfæring Kørestol m. 4. p. system					
<input type="checkbox"/>	= 3 point seat belt 3 Punktgurt 3 p.sæle		= Seat Sitz Sæde	<input type="checkbox"/>	= Anchorage point (floor) Verankeringspunkt (Boden) Forankringspunkt (gulv)					
Layout sketch Aufbauskizze Indretningskistise										
						NO.: 501655				

TERMS OF SALE AND DELIVERY for Dahl Engineering ApS & Maskinfabrik Dahl Engineering ApS

01.11.2024

1.0 Contractual basis

1.1 Any agreements and deliveries are subject to these General Terms of Sale and Delivery.

2.0 Quotes and Conclusion of contract

- 2.1 The acceptance deadline for one of Dahl's submitted quotes is 15 calendar days.
- 2.2 The final agreement on sale or another service is only concluded upon Dahl issuing a written order confirmation.
- 2.3 The agreement is deemed as concluded on the terms specified in the order confirmation unless the buyer has complained in writing within 5 days of receipt.
- 2.4 Sales literature, descriptions, instructions, price lists, etc., are only indicative and of a non-binding nature.

3.0 Prices

- 3.1 If the quoted prices are based on foreign currency, the price is adjusted with (i) currency rate fluctuations, (ii) price increases from suppliers and (iii) changes in shipping rates, all in the period between submission of quotes and issuing the invoice.
- 3.2 For orders under EUR 107,- goods value, a handling charge of EUR 17,- will be added.

4.0 Delivery and delays

- 4.1 Delivery is Ex Works Dahl – Thisted and shipping is at the Buyer's risk and expense.
- 4.2 Time of delivery is stated in Dahl's order confirmation.
- 4.3 In the event of a delay, Dahl's liability is limited to the Buyer's documented direct loss, and thus exclusive of lost profits and other indirect losses and also limited to 25% of the purchase price of the delayed delivery.

5.0 Payment

- 5.1 The first payment from new Buyers must be made in advance. To the extent that Dahl can obtain credit insurance for the Buyers account, on normal terms, the payment is then due 20 days from the invoice date. 1.5% interest per month started will be added to payments after the due date.
- 5.2 Invoices, account statements etc. will solely be sent in digital format to the e-mail address stated by buyer on the Dahl Engineering registration form for new customers.

6.0 Right of ownership

6.1 Dahl retains ownership of the goods sold until the full purchase price is paid.

7.0 Complaints and deficiencies

- 7.1 The Buyer shall, immediately upon receipt of the goods at the Buyer's location, make the necessary examination of the delivery.
- 7.2 If the Buyer wants to exercise their right to complain of defects or deficiencies with the delivery, the Buyer shall immediately upon discovery of the defect or when they should have been discovered, provide Dahl with written notification thereof and the report must include an itemised statement of the nature of the defects. If the Buyer fails to complain as specified, the Buyer cannot later validate the complaint.
- 7.3 In any event, the complaint shall be made in writing to Dahl no later than 6 months after delivery, and the Buyer cannot make the deficiencies apply in the event of a later complaint.

8.0 Limitation of liability

8.1 In the event that there might be actionable defects or deficiencies with Dahl's delivered products, Dahl's liability is limited to remedy the deficiencies as long as the deficiencies can be remedied hereby and/or replacement or compensation is maximised to the invoiced amount, according to Dahl's choice.

8.2 Dahl is not, to a greater extent than indicated above, obligated to compensate any form of additional direct or indirect loss, including consequential loss and loss of profit.

8.3 Dahl does not incur any liability if the installation instructions and other manuals and instructions are not complied with, or if the products are installed in vehicles that are not approved for installation by Dahl at the time of installation.

9.0 Product liability

- 9.1 Dahl's liability for personal injury can never exceed the at any time applicable levels of compensation under Danish law.
- 9.2 Dahl's product liability for property damage amounts to a maximum of DKK 1,000,000 per claim. A claim is defined as any damage caused by the same fault or negligence. The monetary limit does not apply in cases of gross negligence disclaimed by Dahl.
- 9.3 Dahl is not liable for operation losses and loss of profit or other indirect loss.
- 9.4 Dahl does not incur product liability if the installation instructions and other manuals and instructions are not complied with, or if the products are installed in vehicles that are not approved for installation by Dahl at the time of installation.
- 9.5 To the extent Dahl incurs liability to third parties; the Buyer is obliged to keep Dahl indemnified to the same extent as Dahl's liability is limited by these terms of sale and delivery.
- 9.6 If a third party raises a claim relating to product liability against either Dahl or the Buyer, the parties are mutually obliged to inform each other about this, and the parties are mutually obligated to have a suit filed at the court where a case is brought against either party involving alleged product liability regarding the Dahl products sold, just as the interrelation between the parties can be settled by the named court.

10.0 Intellectual property rights

10.1 Dahl is unable to make the Buyer liable for infringement of third party rights. In case of violation, Dahl is entitled to (i) change, replacement without impairment of the good's purpose and performance, (ii) repurchase the goods at the invoice price, with a deduction for impairment, or (iii) to secure the right of the Buyer to continue use. The Buyer must notify Dahl of all such claims, and to the extent that the claim has implications for Dahl, Dahl is entitled to make a case on their own and the Buyer's behalf.

11.0 Returns

- 11.1 Deliveries can only be returned in exceptional cases and only after agreement. Goods that may be specially produced or purchased for the Buyer may in no case be returned.
- 11.2 Approved returns will be credited less 20% of the sales price excl. VAT on paid delivery, and undamaged, to Dahl's stock or another place specified by Dahl.

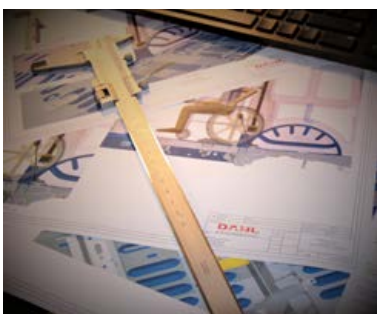
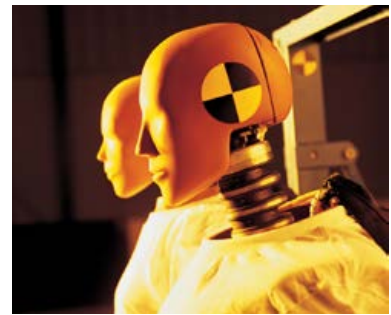
12.0 Force majeure

12.1 Dahl is not liable for an otherwise actionable lack of contractual fulfilment of the agreement if it is justified by a labor dispute, fire, war, military conscription, confiscation, currency restrictions, lack of means of transportation or other similar circumstances that was not reasonably foreseeable to Dahl at the time of the conclusion of the agreement, including that the mentioned or similar circumstances effect subcontractors used by Dahl.

13.0 Applicable law and jurisdiction

- 13.1 All disputes between Dahl and the Buyer shall be settled by the Western High Court in Holstebro, and in accordance with Danish law.
- 13.2 However, Dahl is entitled to choose that disputes are instead settled by arbitration at the Danish Institute of Arbitration under the rules applicable to the process of arbitration.

WHERE SAFETY STARTS



Development and crash-test centre
Where safety starts

Dahl Engineering ApS | Løvevej 3 | DK-7700 Thisted | Denmark | Phone: +45 9618 0077
e: sales@dahlengineering.dk | w: wtors.com