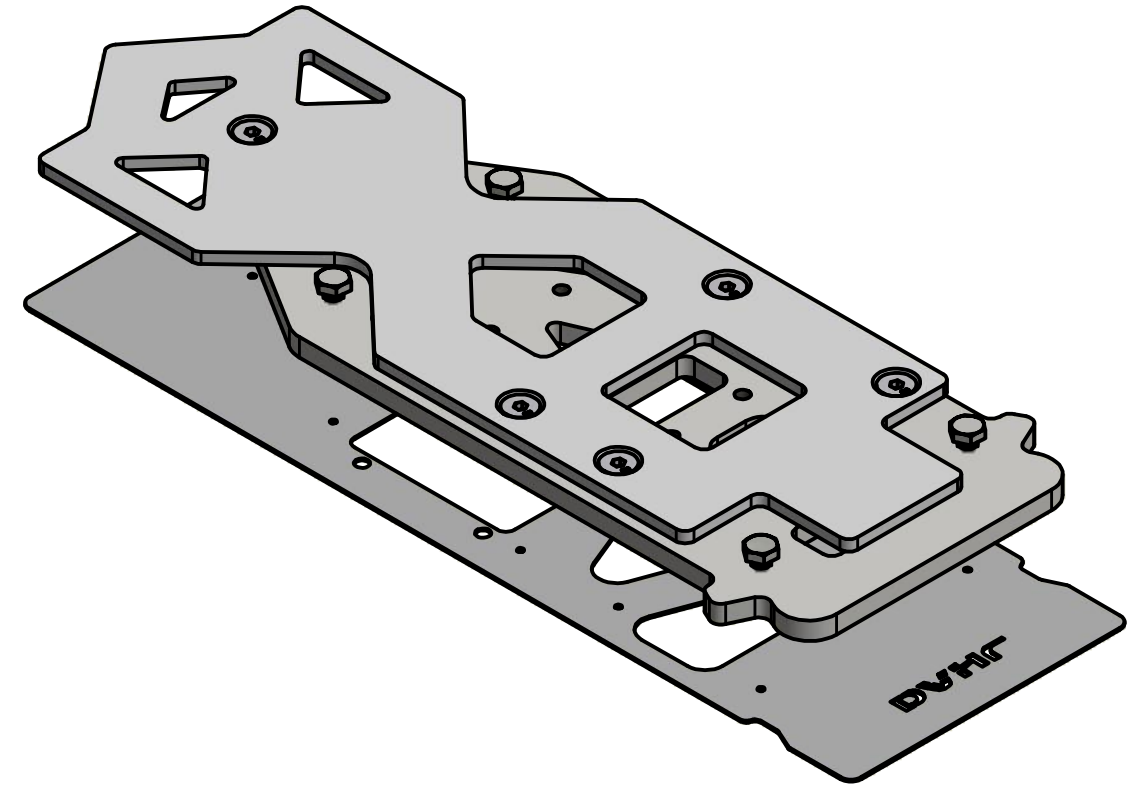
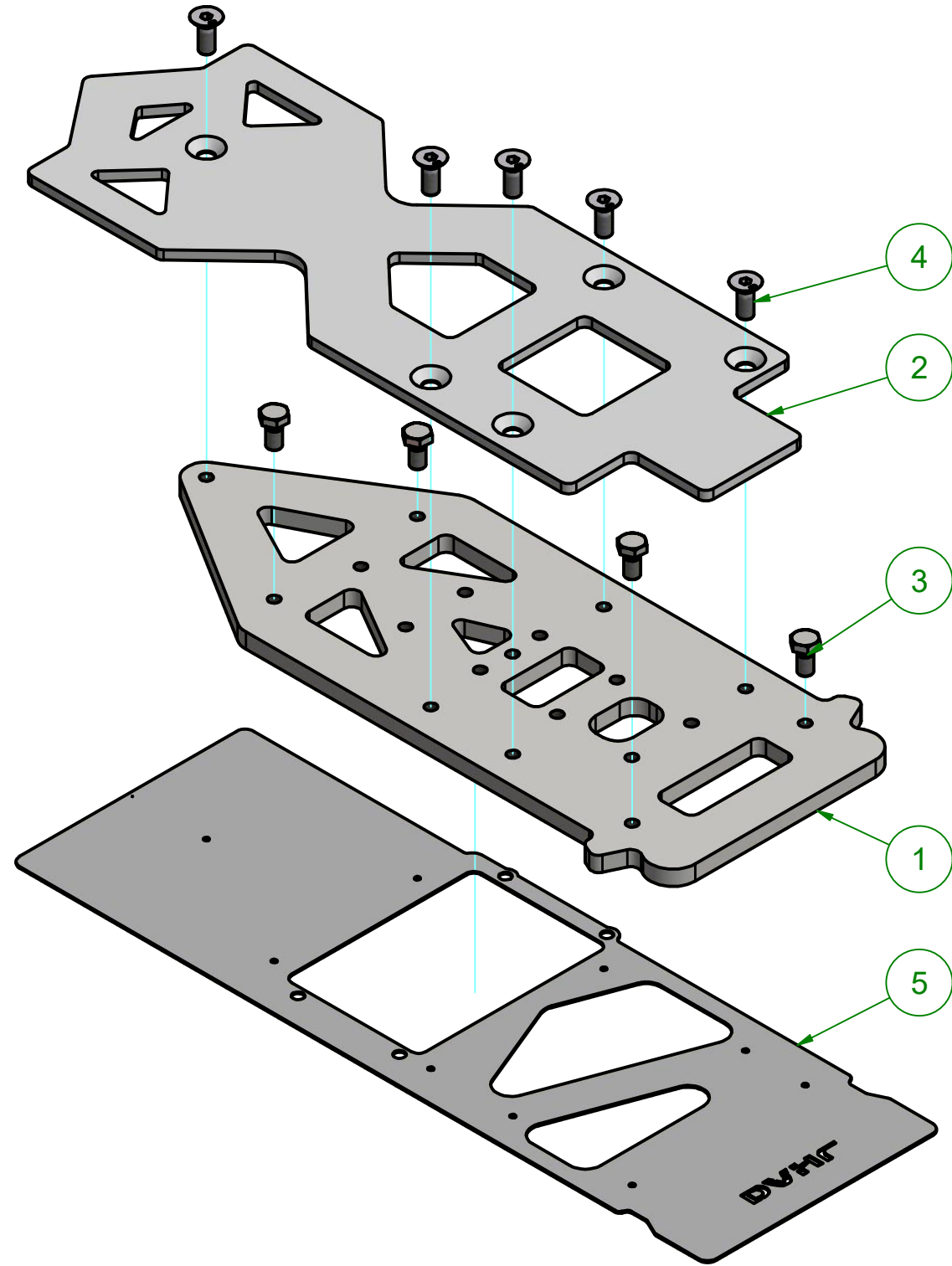


COPYRIGHT © THIS DRAWING REMAINS THE PROPERTY OF DAHL ENGINEERING. Copying, submitting to third parties or use for any purpose other than that originally intended is prohibited without previous written consent of DAHL ENGINEERING.



Item	Qty	Drawing no	Description3	Type	Rev no
1	1	502148	Plate for Adaptation Kit		03
2	1	500894	Spacer 449x150x6		03
3	4	502634	Bolt M8x15	ISO 4017 12.9 Zinc Flake	00
4	5	502859	Screw Countersunk M8x20	ISO 10642 Zinc Flake 12.9	00
5	1	503014	Drilling Template		02

✓	Dimension	Material:	List of spare parts:	Weight: 0 kg
	Chamfer:	Surface treatment:	Measures without tol.: DS/EN 22768-M	
Latest correction:			Replaced by:	Replaces:

<b>DAHL</b> ENGINEERING	Date:	31-05-2023	<b>Quantum</b> <b>Q6 Edge 3 Stretto</b>
	Issuer:	LJ	
Title: Dahl Docking adaptationsæt Dahl Docking kit d'adaptation Dahl Docking Adaptionssatz Dahl Docking Adaptation Kit			
Scale:	Drawing no.: 502362	Rev no.: 02	

REV	DESCRIPTION	DATE	APPROVED
01	Remove: 501034, 502621, 502678, 502762, 502787, 503013, 503015, 503069	02-06-2025	CDP/lc
02	Changed: 502148 design - 500894 design & material - 503014 design	28-05-2026	lc