

1

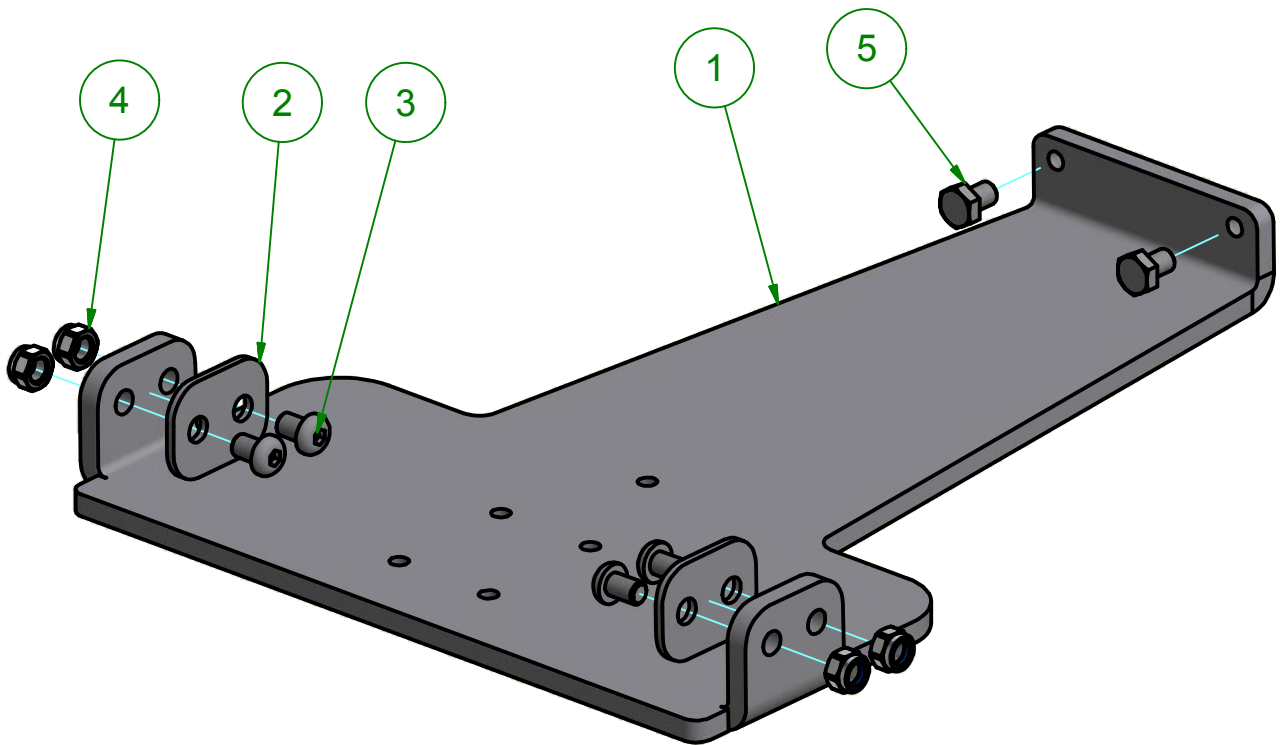
2

REVISION HISTORY

REV	DESCRIPTION	DATE	APPROVED
1	Bolt changed M8x25 ->M8x12	25-03-2013	JH
2	New revision on 501571	17-01-2017	JH

A

A



B

B

C

C

Item	Qty	Drawing no	Beskrivelse3	Rev	Type
1	1	501571	Monteringsplade for Sunrise Jive M	02	
2	2	500552	Washer for fitting of legs	1	
3	4		Bolt		ISO 7380 M8x25
4	4		Møtrik		DIN 985 M8
5	2		Bolt		DIN 933, M8x12



Dimension

Material:

List of spare parts:

Weight: 0 kg

Chamfer:

Surface treatment:

Measures without tol.: DS/EN 22768-M

Latest correction:

Replaced by:

Replaces:

DAHL

ENGINEERING

Date: 19-11-2012

Issuer: CAD01

SUNRISE JIVE M

Title:

Einbauset für Dahl Docking

Fitting kit for til Dahl Docking

Monteringssæt til Dahl Docking

Scale:

Drawing no.:

Rev no.:

501570

02