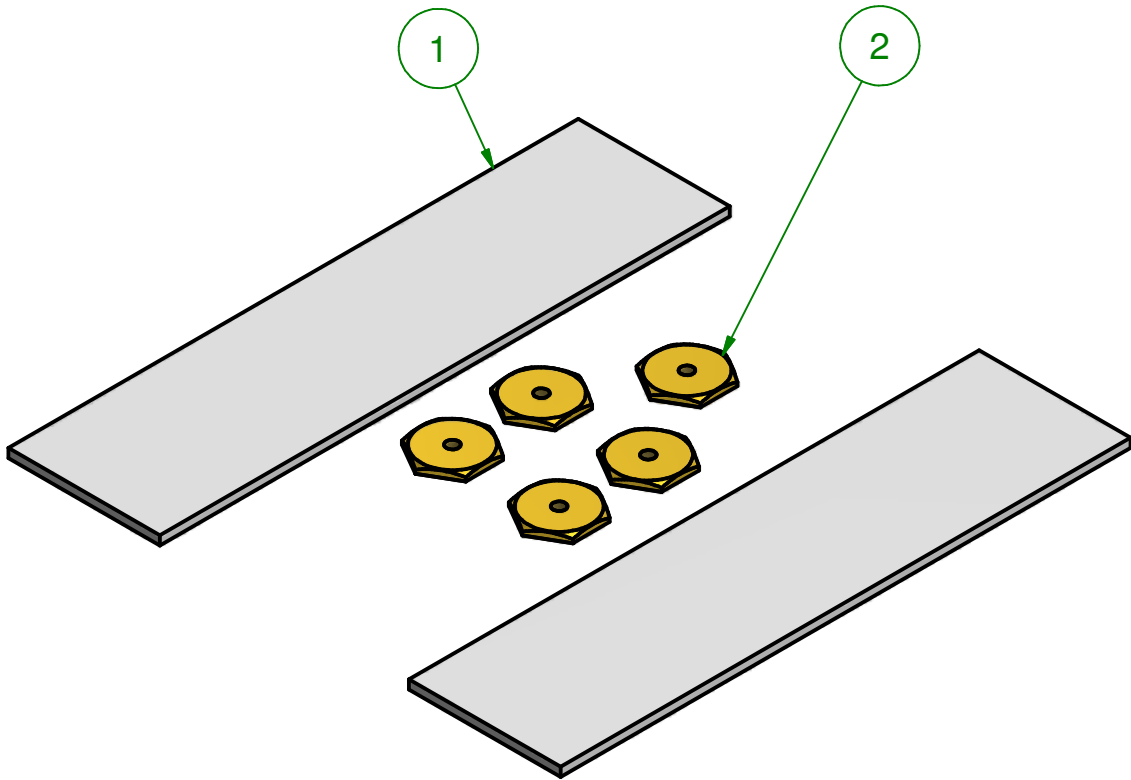


Item	Qty	Drawing no	Description	Rev no
1	2	501758	Spacer	00
2	5	501757	Nut for 4 mm.	00



REVISION HISTORY			
REV	DESCRIPTION	DATE	APPROVED
1	Text added	18-08-2015	JH

✓	Dimension	Material:	List of spare parts:	Weight: 0 kg
	Chamfer:	Surface treatment:	Measures without tol.: DS/EN 22768-M	
Latest correction:			Replaced by:	Replaces:

	Date:	14-10-2013	For: SUNRISE JIVE R2 SUNRISE SALSA R2 HANDICARE PUMA 40 w. Sedeo Pro + seating package	
	Issuer:	JH		
Title: Adaptation kit for DAHL Docking Station Adaptionssæt für DAHL Docking Station Adaptionssæt til DAHL Docking Station			Scale:	Drawing no.: 501756
			Rev no.:	01

COPYRIGHT © THIS DRAWING REMAINS THE PROPERTY OF DAHL ENGINEERING
 Copying, submitting to third parties or use for any purpose other than that originally intended is prohibited without previous written consent of DAHL ENGINEERING