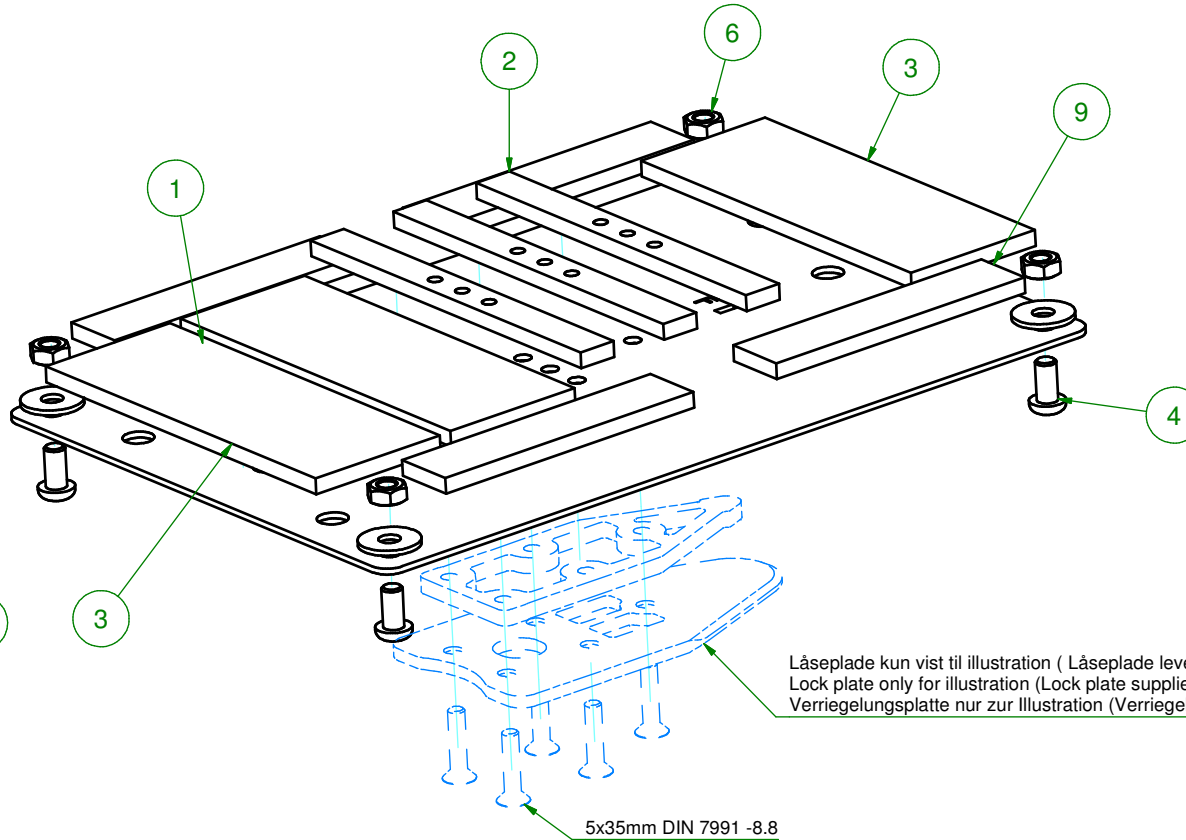


COPYRIGHT © THIS DRAWING REMAINS THE PROPERTY OF DAHL ENGINEERING. Copying, submitting to third parties or use for any purpose other than that originally intended is prohibited without previous written consent of DAHL ENGINEERING.



Item	Qty	Drawing no	Beskrivelse3	Rev	Dimension	Type	Supplier
1	1	501575	Mounting plate for Sunrise Jive F+R	00	3mm		
2	3	501576	Mounting bracket	1	25x8x200		
3	3	501577	Battery spacer	2	40x8x200		
9	4	501597	Battery spacer	00	32x8x150		
4	4		Bolt - Bolzen - Bolt			ISO 7380, M10x25	
5	4		Skive - Scheibe - Disc			DIN 9021 - 10,5	
6	4		Møtrik - Nut - Mutter			DIN 934 M10	
7	1	500794	Lim - Kleber - Adhesive				
8	1	500795	Primer				



REVISION HISTORY			
REV	DESCRIPTION	DATE	APPROVED
1	New item added.	29-04-2013	JH

✓	Dimension	Material:	List of spare parts:	Weight: 0 kg
	Chamfer:	Surface treatment:	Measures without tol.: DS/EN 22768-M	
Latest correction:			Replaced by:	Replaces:
		Date:	12-12-2012	
		Issuer:	CAD01	
Title: Fitting kit for DAHL DOCKING STATION Einbauset für DAHL DOCKING STATION Montagesæt til DAHL DOCKING STATION		Sunrise Jive F & R		
			Scale:	Drawing no.: 501578
			Rev no.:	1