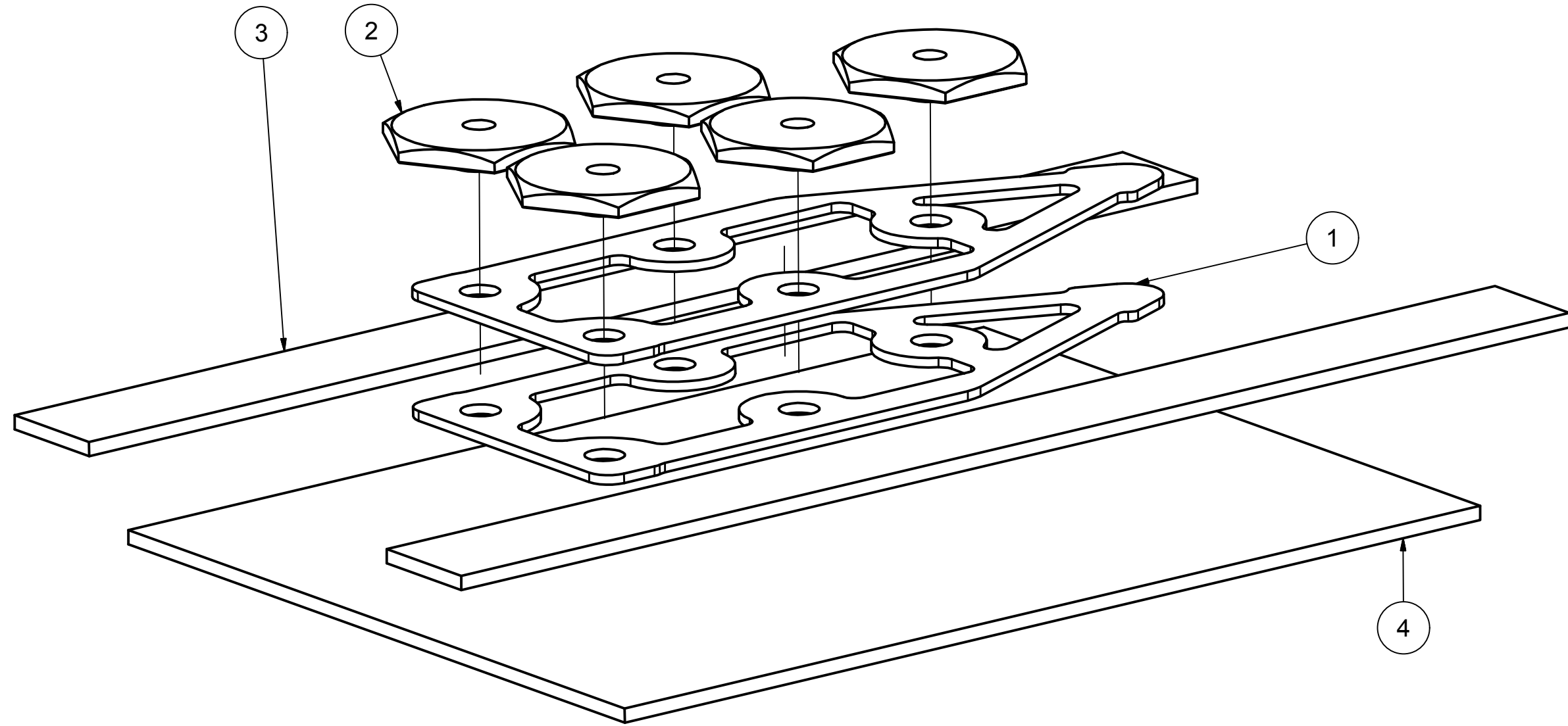


Item	Qty	Drawing no	Description3	Rev no	Type	Supplier
1	2	500671	2 mm. Afstandsplade, Top	01		
2	5	501757	Nut for 4 mm.	01		
3	2	503185	PVC Spacer	01		
4	1	503262	Spacer	00		

REVISION HISTORY			
REV	DESCRIPTION	DATE	APPROVED
1	Change on spacers	24-01-2018	JH



COPYRIGHT © THIS DRAWING REMAINS THE PROPERTY OF DAHL ENGINEERING. Copying, submitting to third parties or use for any purpose other than that originally intended is prohibited without previous written consent of DAHL ENGINEERING.

<input checked="" type="checkbox"/>	Dimension	Material:	List of spare parts:	Weight: 0 kg
	Chamfer:	Surface treatment:	Measures without tol.: DS/EN 22768-M	
Latest correction:			Replaced by:	Replaces:
		Date:	04-12-2017	
		Issuer:	JH	
Title:		<b>Otto Bock Juvo B4 RWD</b>		
DAHL Docking Station Station adaptionssæt				
DAHL Docking Station Station adaption set		Scale:	Drawing no.:	Rev no.:
			503184	01